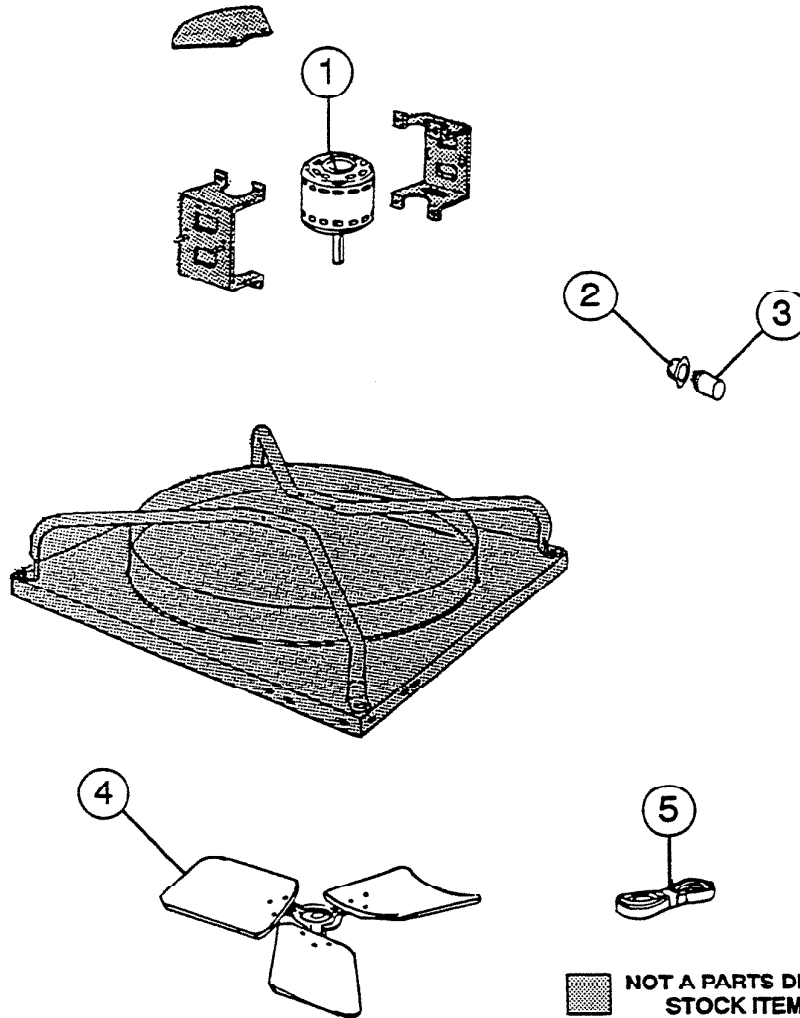


PARTS LIST

EFFECTIVE DATE	MODEL NUMBER	PRODUCT GROUP
OCTOBER 1994	WHV-30 REVISED	COOLING FAN



REF.	ORIGINAL PART NO.	*PART DESCRIPTION	MODEL USED ON	CURRENT REPLACEMENT PART NO.
1	7007A	MOTOR	WHV-30	Void - not avail.
2	7010A	CAPACITOR BOOT	WHV-30	7010A-000
3	7009A	CAPACITOR - 15MFD, 370V	WHV-30	7009A-000
4	7008A	FAN BLADE	WHV-30	7008A-000
5	7006A	GASKET	WHV-30	7006A-000

NuTone

NuTone
 Attn: Parts Department
 Madison & Red Bank Rds.
 Cincinnati, OH 45227-1599
 Phone: (513) 527-5426
 Fax: (513) 527-5173

NOTE: Always order by current part number