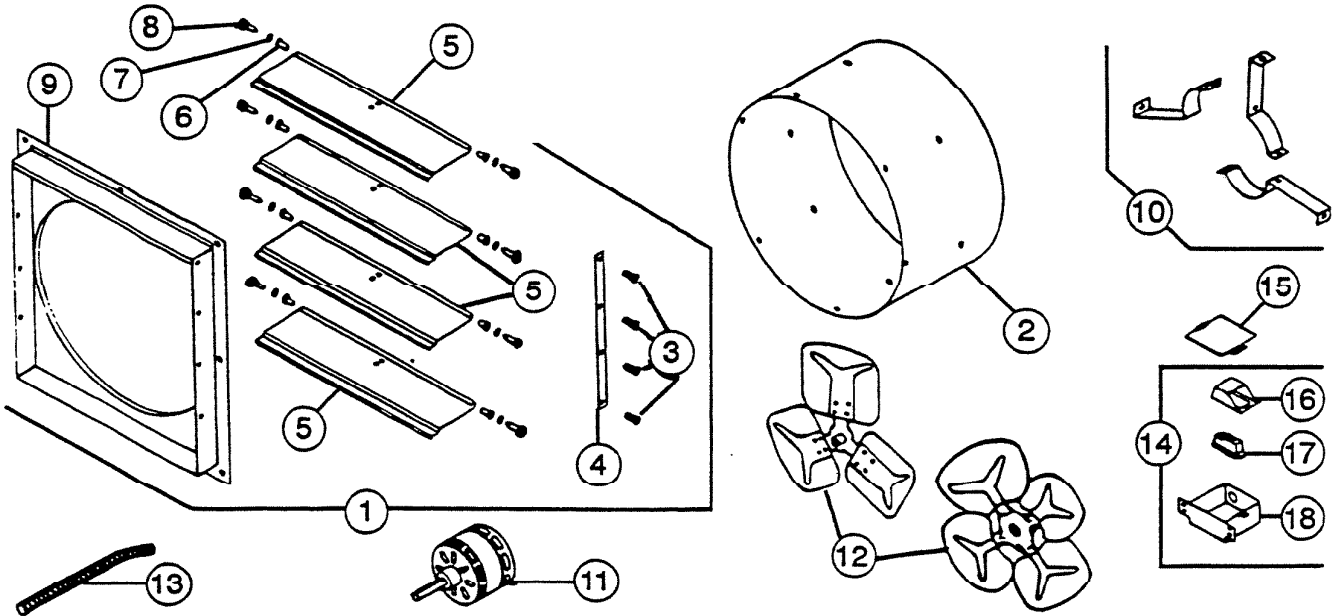


PARTS LIST

EFFECTIVE DATE	MODEL NUMBER	PRODUCT GROUP
JANUARY 1995	WF-56, WF-57 REVISED	FAN



REF.	ORIGINAL PART NO.	*PART DESCRIPTION	MODEL USED ON	CURRENT REPLACEMENT PART NO.
1	65842	SHUTTER ASSEMBLY COMPLETE	WF-56 WF-57	65842-000
2	65856	FAN SLEEVE	WF-56 WF-57	VOID-NOT AVAILABLE
3	20940	SCREW (1) 4-REQUIRED	WF-56 WF-57	VOID-NOT AVAILABLE
4	65855	TIE BAR	WF-56 WF-57	65855-000
5	65851	LOUVER ASSEMBLY (1) 4-REQUIRED	WF-56 WF-57	65851-000
6	65854	NYLON BUSHING (1) 8-REQUIRED	WF-56 WF-57	65854-000

(PLEASE SEE OTHER SIDE)

NuTone

NuTone
 Attn: Parts Department
 Madison & Red Bank Rds.
 Cincinnati, OH 45227-1599
 Phone: (513) 527-5426
 Fax: (513) 527-5173

NOTE: Always order by current part number

REF.	ORIGINAL PART NO.	*PART DESCRIPTION	MODEL USED ON	CURRENT REPLACEMENT PART NO.
7	26605	LOCKWASHER (1) 8-REQUIRED	WF-56 WF-57	26605-000
8	15584	SCREW (1) 8-REQUIRED	WF-56 WF-57	15584-000
9	65843	SHUTTER FRAME ONLY	WF-56 WF-57	VOID-NOT AVAILABLE
10	69096	MOTOR MOUNTING BRACKET SET	WF-56 WF-57	69096-000
11	66459	MOTOR	WF-56	VOID-NOT AVAILABLE
	65859		WF-57	51059
12	66458	FAN BLADE	WF-56	VOID-NOT AVAILABLE
	65858		WF-57	65858-000
13	26690	FLEXIBLE CONDUIT	WF-56 WF-57	26690-000
14	64641	OUTLET BOX & THERMOSTAT ASSEMBLY	WF-56 WF-57	1249A
15	64648	OUTLET BOX COVER	WF-56 WF-57	68644-000
16	26706	THERMOSTAT BARRIER	WF-56 WF-57	VOID-NOT AVAILABLE
17	26693	THERMOSTAT	WF-56 WF-57	1249A
18	64642	OUTLET BOX ONLY	WF-56 WF-57	68642-000

↑

NOTE: Always order by current part number