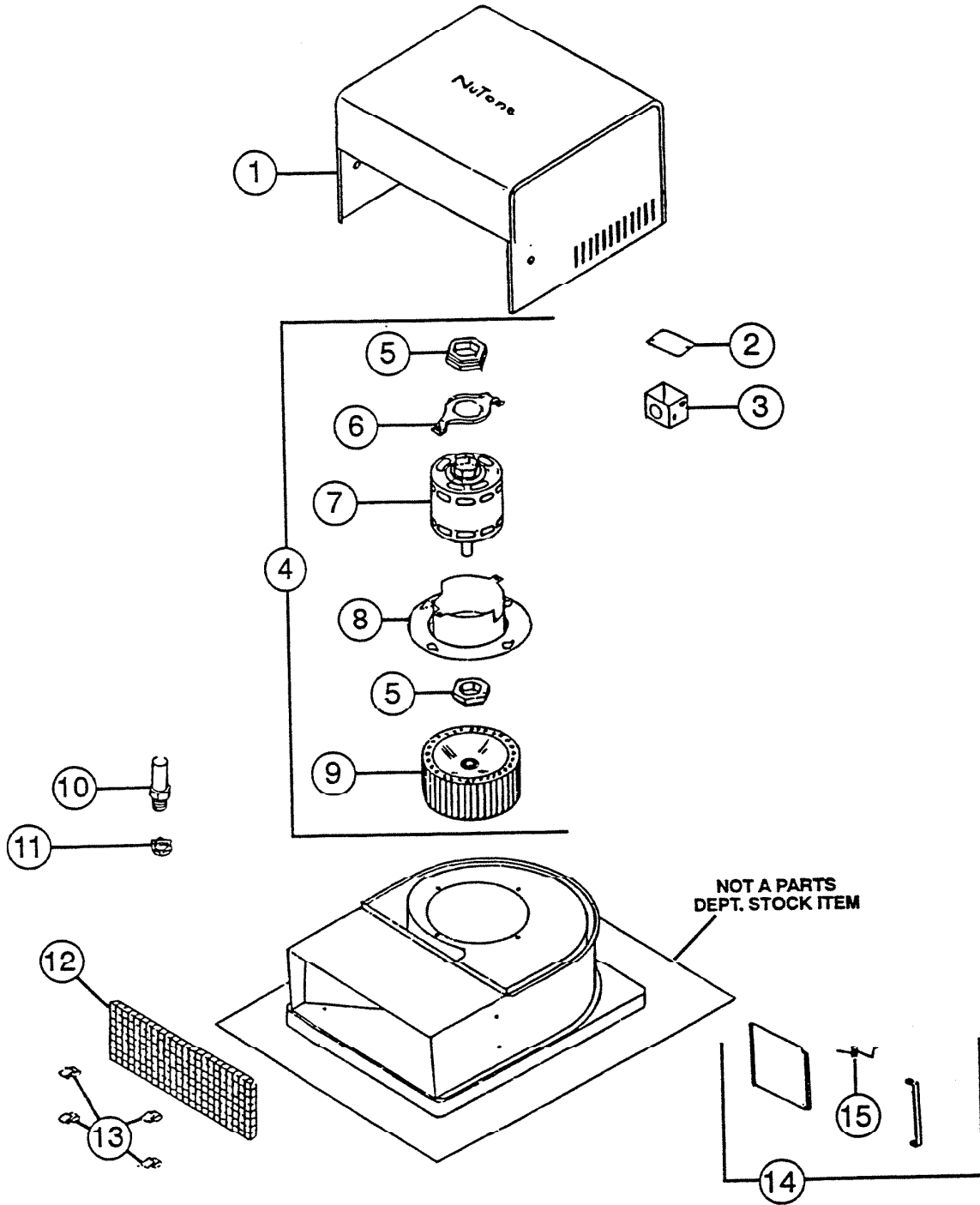


PARTS LIST

EFFECTIVE DATE	MODEL NUMBER	PRODUCT GROUP
OCTOBER 1994	RF-35, WF-35 REVISED	EXHAUST FAN



NuTone

NuTone
 Attn: Parts Department
 Madison & Red Bank Rds.
 Cincinnati, OH 45227-1599
 Phone: (513) 527-5426
 Fax: (513) 527-5173

REF.	ORIGINAL PART NO.	*PART DESCRIPTION	MODEL USED ON	CURRENT REPLACEMENT PART NO.
1	22697	MOTOR COVER ASSEMBLY	RF-35	22697-005
	22707		WF-35	
2	26638	JUNCTION BOX COVER	RF-35, WF-35	50815-038
3	26658	JUNCTION BOX	RF-35, WF-35	50813-000
4	22692	"B" UNIT ASSEMBLY	RF-35, WF-35	22692-000
5	19360	MOTOR MOUNT – 2 Required	RF-35, WF-35	19360-000
6	22208	MOTOR CLAMP	RF-35, WF-35	22208-005
7	22795	MOTOR	RF-35, WF-35	22795-000
8	22693	MOTOR MOUNTING PLATE ASSEMBLY	RF-35, WF-35	22693-005
9	22696	BLOWER WHEEL	RF-35, WF-35	22696-000
10	22680	WIRING TUBE	RF-35, WF-35	22680-000
11	22681	CONNECTOR	RF-35, WF-35	22681-000
12	22688	BIRD SCREEN	RF-35, WF-35	Void - not avail.
13	69091	SPEED CLIP SET – 4	RF-35, WF-35	69091-000
14	22687	LOUVER ASSEMBLY – Complete	RF-35, WF-35	22687-000
15	26340	LOUVER SPRING	RF-35, WF-35	26340-000

NOTE: Always order by current part number

