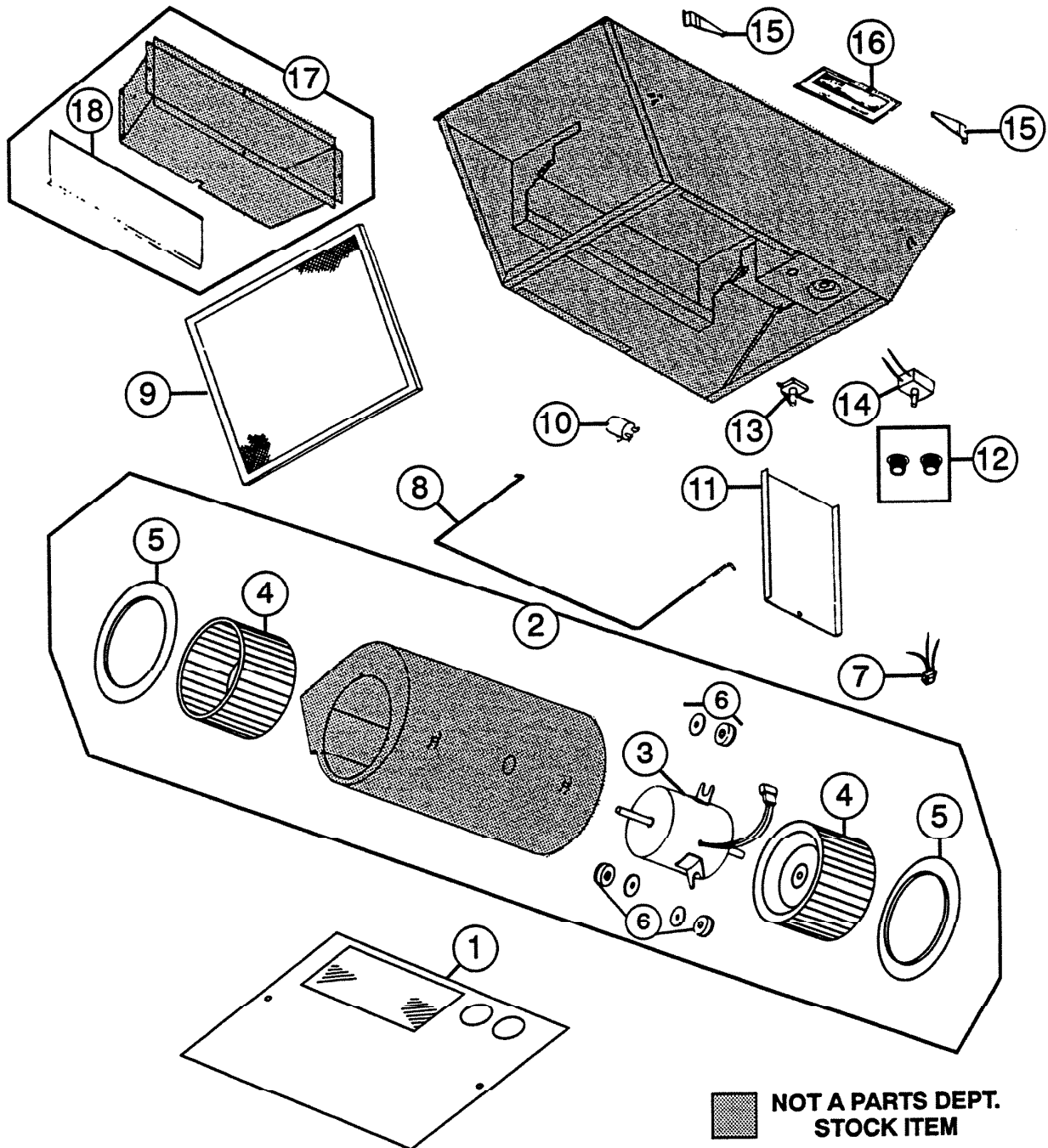


# PARTS LIST

EFFECTIVE DATE	MODEL NUMBER	PRODUCT GROUP
JANUARY 1985	VPU-400N NEW	HOOD



# NuTone

NuTone  
 Attn: Parts Department  
 Madison & Red Bank Rds.  
 Cincinnati, OH 45227-1599  
 Phone: (513) 527-5426  
 Fax: (513) 527-5173

REF.	ORIGINAL PART NO.	*PART DESCRIPTION	MODEL USED ON	CURRENT REPLACEMENT PART NO.
1	53538	COVER ASSEMBLY	VPU-400N	53538-000
2	58588	BLOWER ASSEMBLY	VPU-400N	58588-000
3	58580	MOTOR	VPU-400N	58580-000
4	53553	BLOWER WHEEL	CCW	53553-000
	53554		CW	53554-000
5	58579	VENTURI – 2 Required	VPU-400N	58579-000
6	2884A	GROMMET AND SPACER SET	VPU-400N	2884A-000
7	2886A	PLUG HOUSING	VPU-400N	2886A-000
8	58578	BAIL	VPU-400N	58578-000
9	53536	FILTER – 2 Required	VPU-400N	53536-000
10	14979	LAMP SOCKET	VPU-400N	14979-000
11	53535	SWITCH BOX COVER	VPU-400N	53535-000
12	69140	KNOB SET	VPU-400N	69140-000
13	17484	LIGHT SWITCH	VPU-400N	17484-000
14	51020	SPEED CONTROL	VPU-400N	51020-000
15	66944	FILTER CLIP – 4 Required	VPU-400N	66944-000
16	53537	NAMEPLATE	VPU-400N	53537-000
17	53557	DUCT AND LOUVER ASSEMBLY	VPU-400N	53557-000
18	67151	LOUVER	VPU-400N	67151-000
--	53561	ENVELOPE ASSEMBLY (Not Shown) – Contains Mtg. Screws and Seals	VPU-400N	53561-000

↑

**NOTE: Always order by current part number**