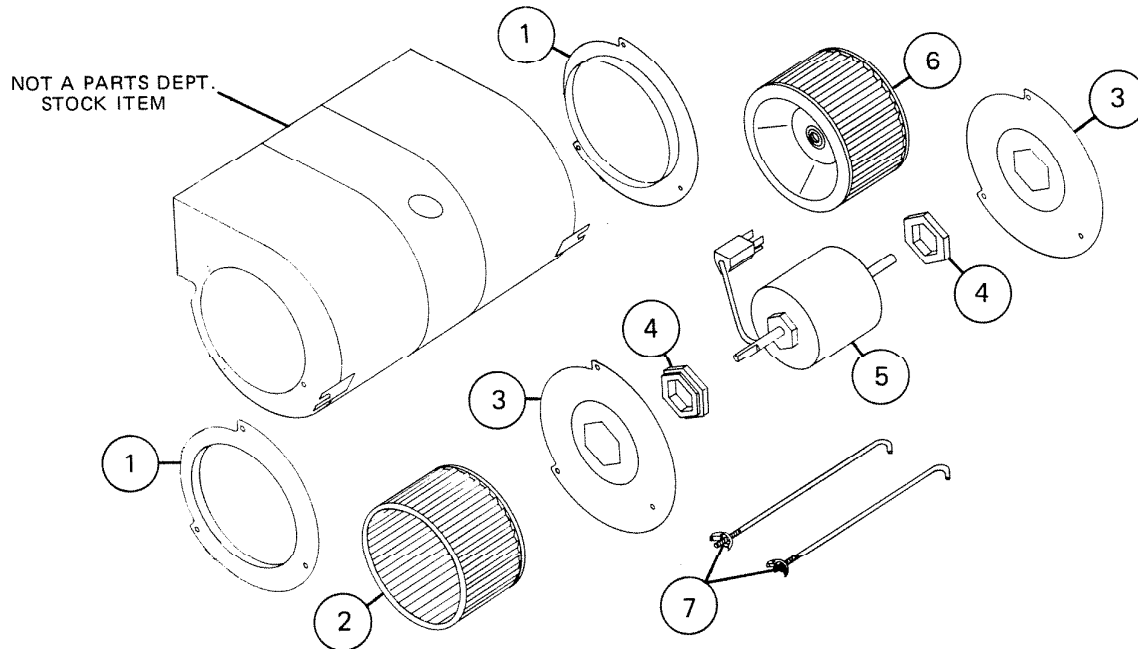


PARTS LIST

EFFECTIVE DATE	MODEL	PRODUCT GROUP
MARCH 1982	VP-400 REVISED	HOODS

VS-92 will not fit VP-400



used w/ V-80, VT-44/49, VHT 330/400

REF.	ORIGINAL PART NO.	* PART DESCRIPTION	MODEL USED ON	CURRENT REPLACEMENT PART NO.
1	65908	VENTURI - 2 REQUIRED	VP-400	65908-005
2	65907	BLOWER WHEEL - CCW	VP-400	65907-000
3	65929	MOTOR PLATE - 2 REQUIRED	VP-400	65929-005
4	19360	MOTOR MOUNT - 2 REQUIRED	VP-400	19360-000
5	65927	MOTOR	VP-400	65927-000
6	65928	BLOWER WHEEL - CW	VP-400	65928-000
7	65912	ROD CLAMP ASSEMBLY - LONG - 2 REQUIRED	VP-400	65912-000
		<i>motor shaft flat changed from 1" to 1 3/8" to accommodate alternate B wheel. 4/92 completely interchangeable CH-NT 36595</i>		

NuTone

NOTE Always order by current part number

PL-VP-400