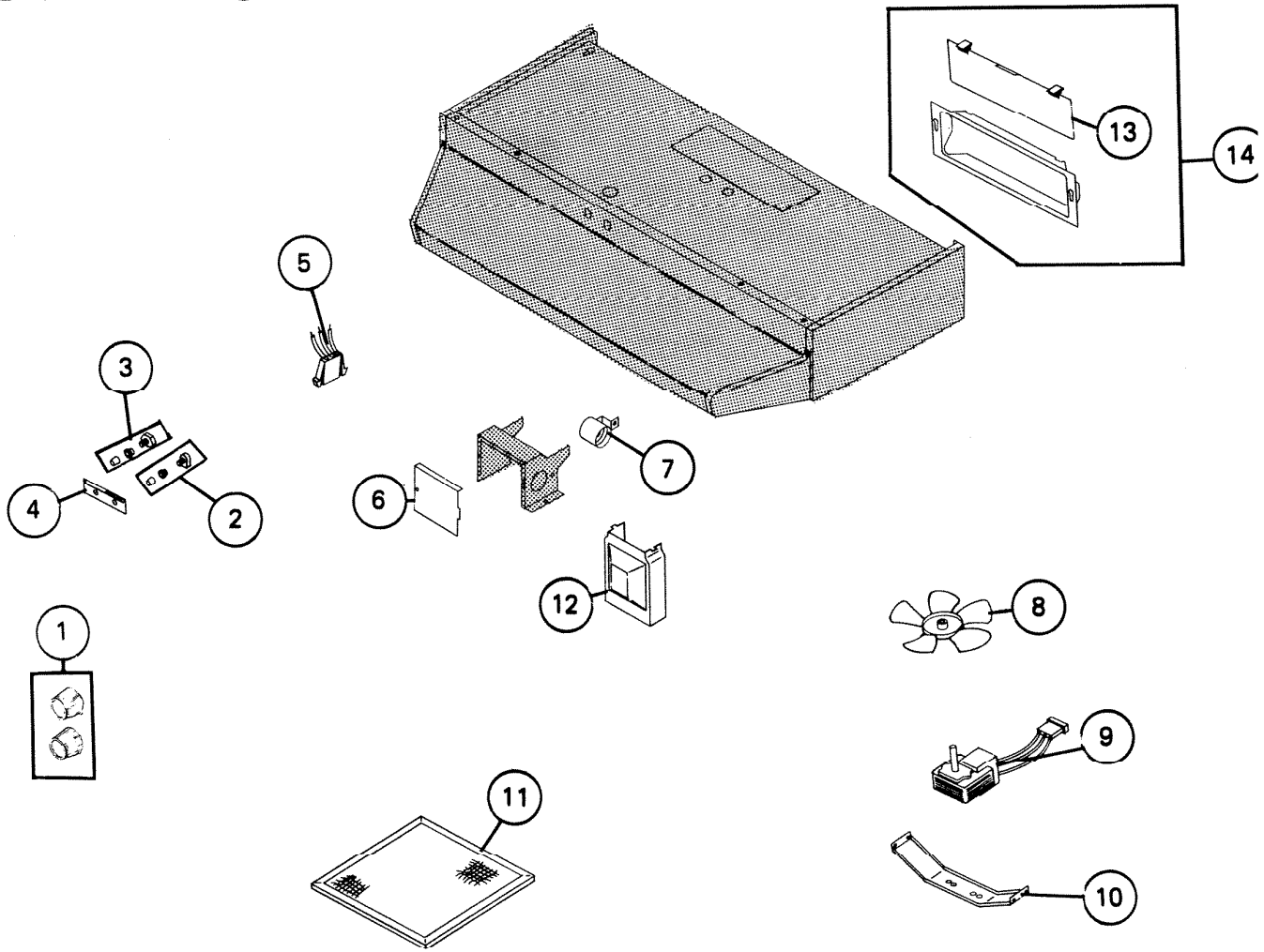


PARTS LIST

EFFECTIVE DATE	MODEL	PRODUCT GROUP
MARCH 1984	VM-9T NEW	HOODS



 NOT A PARTS DEPT STOCK ITEM

REF.	ORIGINAL PART NO.	* PART DESCRIPTION	MODEL USED ON	CURRENT REPLACEMENT PART NO.
1	2901A	KNOB SET - 2	VM-9T	2901A-000
2	69112	LIGHT SWITCH - INCLUDES KNOB	VM-9T	69112-000
3	69145	FAN SWITCH - INCLUDES KNOB	VM-9T	69145-000
4	53082	NAMEPLATE	VM-9T	53082-000
		(PLEASE SEE OTHER SIDE)		

NuTone



PRINTED IN U.S.A.


NOTE Always order by current part number.

REF.	ORIGINAL PART NO.	* PART DESCRIPTION	MODEL USED ON	CURRENT REPLACEMENT PART NO.
5	27240	PLUG HOUSING	VM-9T	1259A-000
6	27851	OUTLET BOX COVER	VM-9T	27851-005
7	18775	LAMP SOCKET	VM-9T	18775-000
8	68293	FAN BLADE	VM-9T	68293-000
9	27987	MOTOR	VM-9T	27987-000
10	27850	MOTOR BRACKET	VM-9T	27850-000
11	27861	ALUMINUM FILTER	VM-9T	27861-000
12	27897	LENS	VM-9T	27897-000
13	27971	LOUVER	VM-9T	27971-000
14	64440	DUCT ASSEMBLY	VM-9T	64440-000