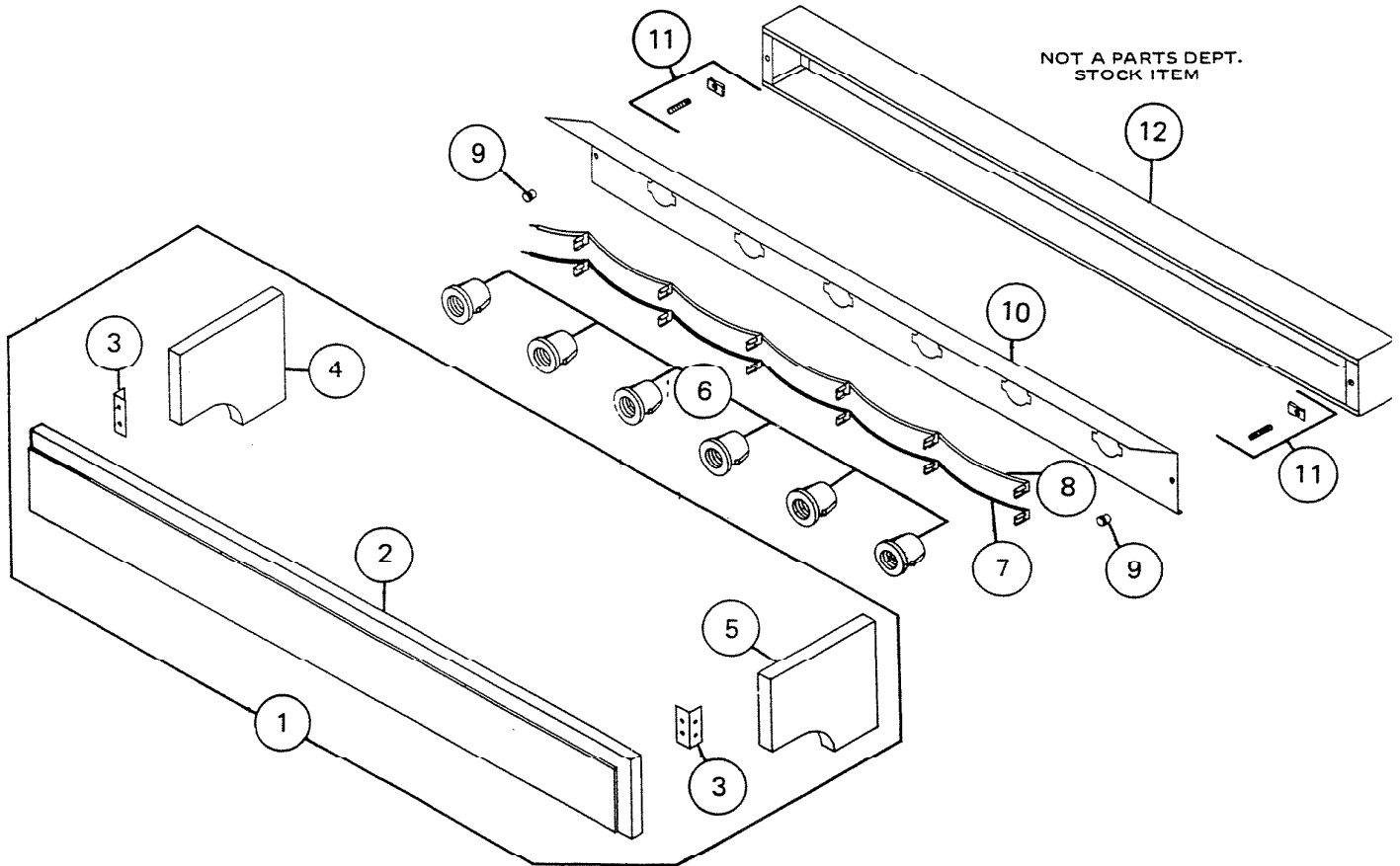


PARTS LIST

EFFECTIVE DATE	MODEL	PRODUCT GROUP
APRIL 1980	VL-38 AW, VL-38D VL-38H NEW	BATH CABINET



REF.	ORIGINAL PART NO.	* PART DESCRIPTION	MODEL USED ON	CURRENT REPLACEMENT PART NO.	
1	95135	TRIM ASSEMBLY	ANTIQUE WHITE	VL-38AW	95135-000
	95133		DARK OAK	VL-38D	95133-000
	95134		HONEY OAK	VL-38H	95134-000
2	95137	TRIM FRONT	ANTIQUE WHITE	VL-38AW	95137-A01
	95137		DARK OAK	VL-38D	95137-A03
	95137		HONEY OAK	VL-38H	95137-A08
		(PLEASE SEE OTHER SIDE)			

NuTone Division

NOTE: Always order by current part number.

PL - VL-38AW - VL-38H

REF.	ORIGINAL PART NO.	PART DESCRIPTION	MODEL USED ON	CURRENT REPLACEMENT PART NO.	
3	76882	ANGLE BRACKET (1) – 2 REQUIRED	VL-38AW VL-38D VL-38H	76882-206	
4	95140	END L.H.	ANTIQUE WHITE	VL-38AW	95140-A01
	95140		DARK OAK	VL-38D	95140-A03
	95140		HONEY OAK	VL-38H	95140-A08
5	95139	END R.H.	ANTIQUE WHITE	VL-38AW	95139-A01
	95139		DARK OAK	VL-38D	95139-A03
	95139		HONEY OAK	VL-38H	95139-A08
6	95130	LIGHT SOCKET (1) – 6 REQUIRED	VL-38AW VL-38D VL-38H	95130-000	
7	95131	WIRE ASSEMBLY BLACK	VL-38AW VL-38D VL-38H	95131-000	
8	95132	WIRE ASSEMBLY WHITE	VL-38AW VL-38D VL-38H	95132-000	
9	27418	THUMB NUT (1) – 2 REQUIRED	VL-38AW VL-38D VL-38H	27418-000	
10	95129	SOCKET HOLDER	VL-38AW VL-38D VL-38H	95129-206	
11	2160A	STUD/SPEED NUT KIT	VL-38AW VL-38D VL-38H	2160A-000	
12	-----	WIRING CHANNEL ASSEMBLY NOT A PARTS DEPT. STOCK ITEM	VL-38AW VL-38D VL-38H	-----	