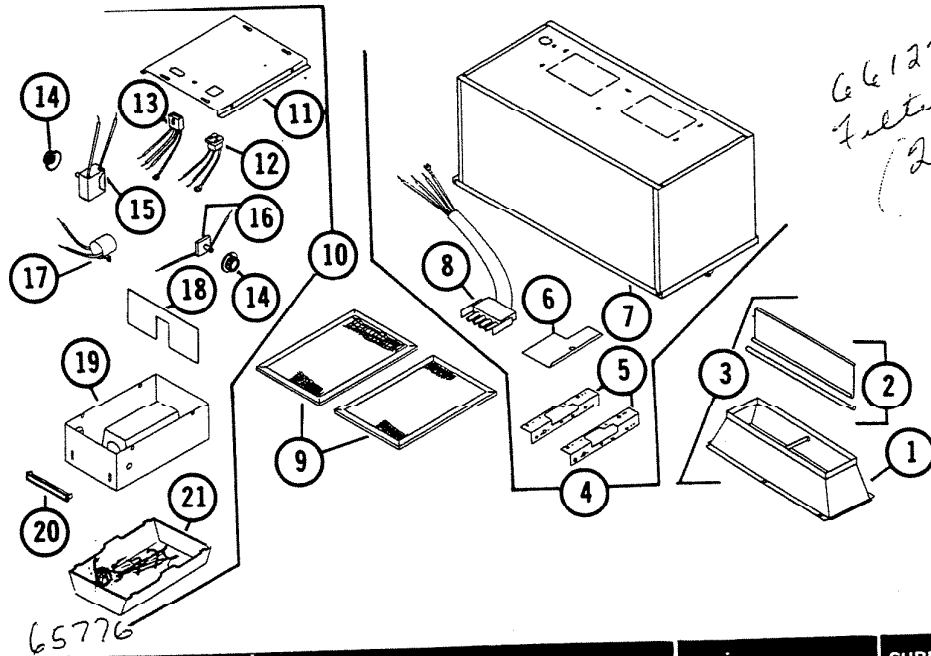


PARTS LIST

EFFECTIVE DATE	MODEL	PRODUCT GROUP
JANUARY 1978	VH-330 REVISED	HOOD



REF.	ORIGINAL PART NO.	PART DESCRIPTION	MODEL USED ON	CURRENT REPLACEMENT PART NO.
1	14430	Transition Duct	VH-330	14430-005
2	17946	Louver Assy.	VH-330	17946-000
3	17940	Duct & Louver Assy.	VH-330	17940-000
4	66120	"A" Housing Comp.	VH-330	66120-000
5	32158	Mtg. Angle (1) 2-Required	VH-330	32158-015
6	66128	Junction Box Cover	VH-330	66128-005
7	66121	"A" Housing	VH-330	66121-005
8	66071	Plug Assy. - 4 Circuit	VH-330	66071-000
9	66138	Filter Alum. Mesh (1) 2-Required	VH-330	66138-000
10	69139	Switch & Lite Housing Comp.	VH-330	69139-000
11	66137	Cover	VH-330	66137-000
12	65892	Plug Receptacle	VH-330	65892-000
13	66072	Cap Assy. - 4 Circuit	VH-330	66072-000
		Please See Other Side		

NuTone

NOTE: Always order by current part number

C.P. - VH-330 HOOD

REF.	ORIGINAL PART NO	* PART DESCRIPTION	MODEL USED ON	CURRENT REPLACEMENT PART NO.
14	12405	Knob Set (2)	VH-330	69140-000
15	26546	Speed Control Switch - Fan <i>25 AMP.</i>	VH-330	26546-000
16	17482	Switch Off/On - Light	VH-330	17484-000
17	66135	Light Socket	VH-330	66135-000
18	66199	Wire Barrier	VH-330	66199-000
19	69141	Switch/Lite Housing	VH-330	69141-000
20	66136	Nameplate	VH-330	66136-000
21	65776	Lens	VH-330	65776-000