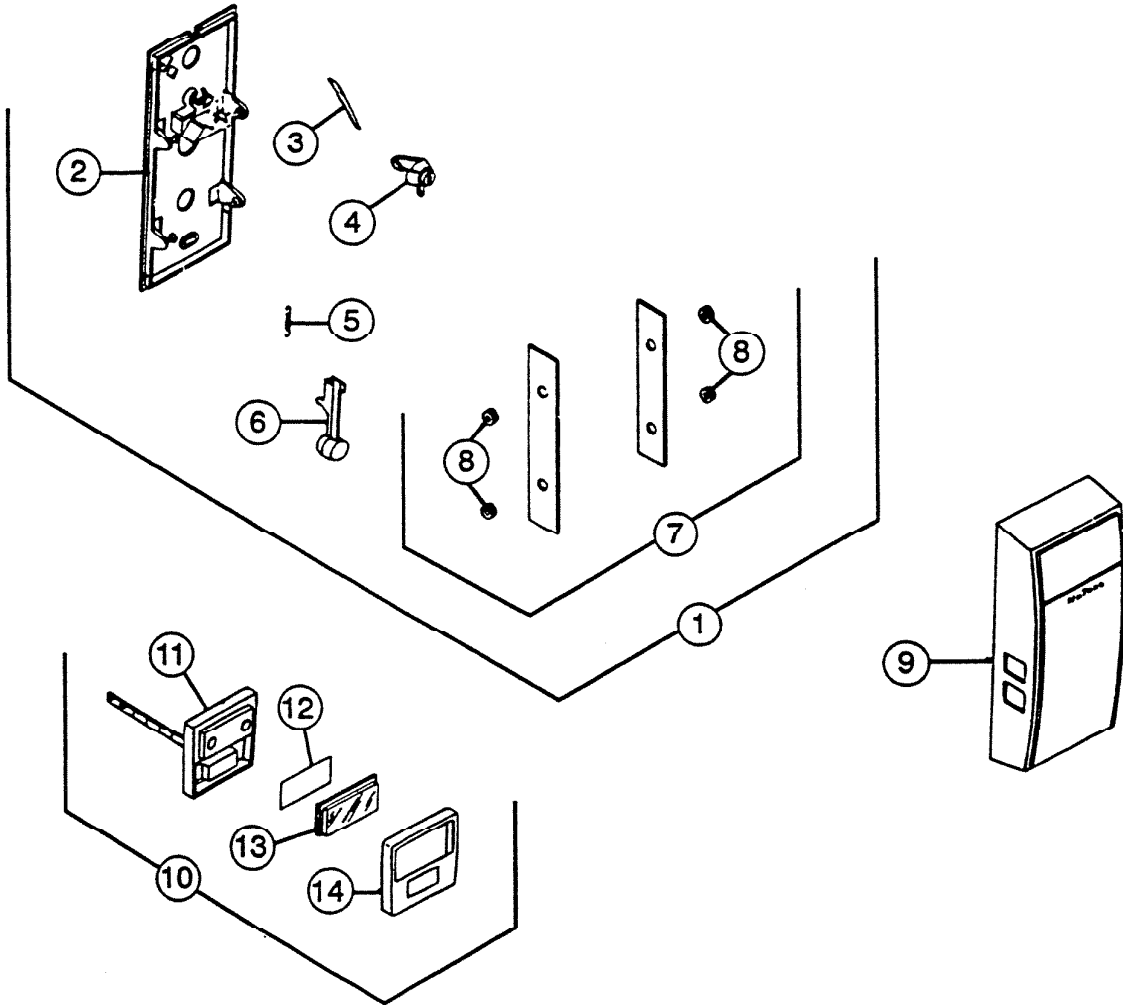


PARTS LIST

EFFECTIVE DATE	MODEL NUMBER	PRODUCT GROUP
AUGUST 1994	VG-74 REVISION	CHIME



REF.	ORIGINAL PART NO.	*PART DESCRIPTION	MODEL USED ON	CURRENT REPLACEMENT PART NO.
1	66487	MECHANISM ASSEMBLY	VG-74	66487-000
2	66488	BASEPLATE	VG-74	66488-000
3	66490	RETURN SPRING	VG-74	66490-046
4	66688	ACTIVATING ARM	VG-74	66688-000
5	66494	STRIKER SPRING	VG-74	66494-000

(PLEASE SEE OTHER SIDE)

NuTone

NuTone
 Attn: Parts Department
 Madison & Red Bank Rds.
 Cincinnati, OH 45227-1599
 Phone: (513) 527-5426
 Fax: (513) 527-5173

NOTE: Always order by current part number

REF.	ORIGINAL PART NO.	*PART DESCRIPTION	MODEL USED ON	CURRENT REPLACEMENT PART NO.
6	66491	STRIKER ARM ASSEMBLY	VG-74	66491-000
7	69616	REED SET WITH GROMMETS	VG-74	69669-000
8	69683	GROMMET SET - 6	VG-74	69683-000
9	09883	COVER	VG-74	09883-000
10	52548	PB HOUSING ASSEMBLY	VG-74	66523-000
11	66527	PB CAM & HOUSING ASSEMBLY	VG-74	66527-000
12	09887	NAME CARD (can be made from card stock)	VG-74	09887-000
13	09889	NAME CARD HOLDER	VG-74	09889-000
14	66525	ESCUTCHEON	VG-74	66525-019
-	66530	ENVELOPE ASSEMBLY - (Mtg. Screws)	VG-74	66530-000

↑

NOTE: Always order by current part number