

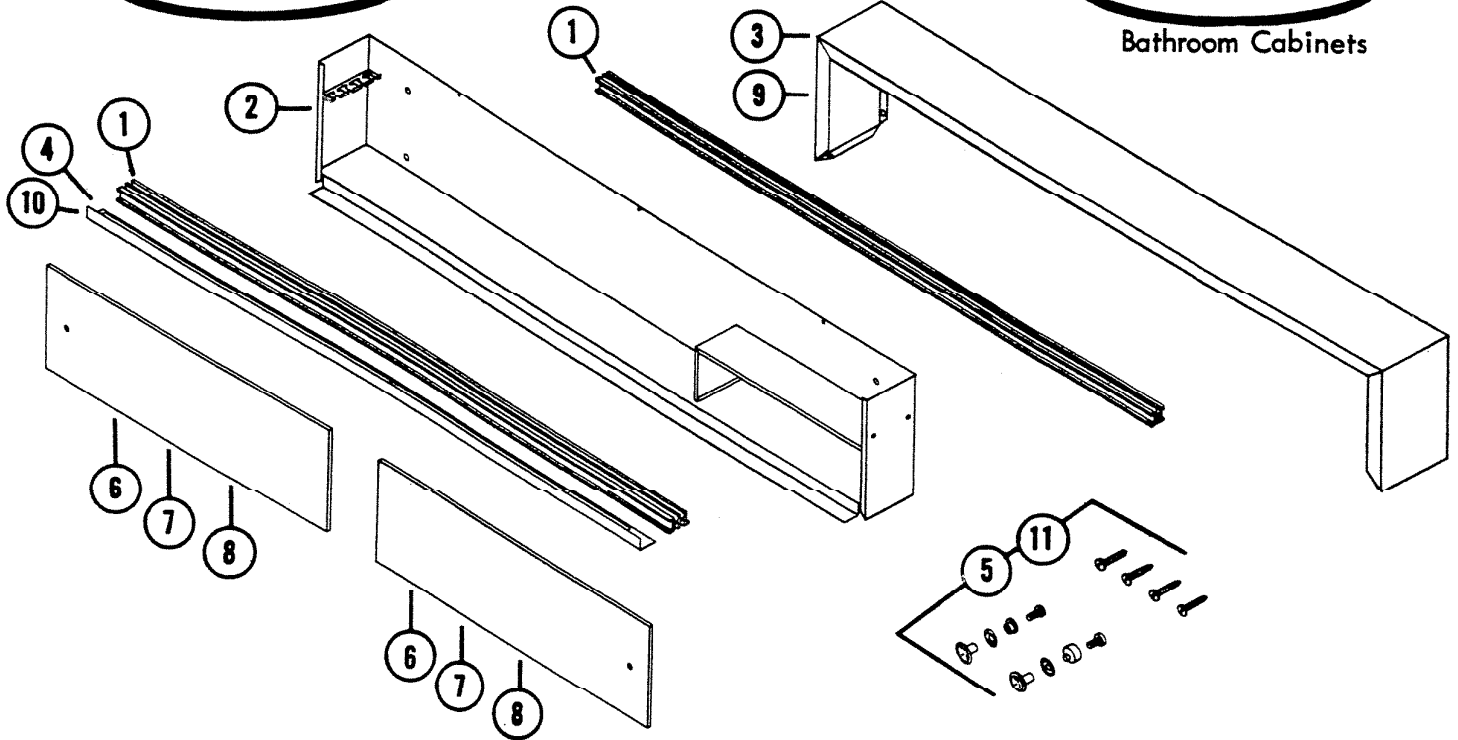
EFFECTIVE DATE

May 1, 1971

# NuTone PARTS LIST

MODEL  
V30MD, PD, GD &  
VG230MD, PD, GD

Bathroom Cabinets



REF.	PART NO.	*Part used on other model/s	PART DESCRIPTION
<u>COMMON PARTS FOR V30MD, PD, GD</u>			
1	90382		Track for Top or Bottom
2	90379		Body Assy. W/Toothbrush Holder
3	90383		Frame Top/End
4	90384		Frame Bottom
5	90353		Hardware Set
<u>MODEL V30MD and VG230MD</u>			
6	90388		Door - Mirror for Left or Right Hand
<u>MODEL V30 PD and VG230PD</u>			
7	90391		Door - Plastic for Left or Right Hand
<u>MODEL V30GD and VG230GD</u>			
8	90393		Door - Glass for Left or Right Hand
<u>COMMON PARTS for VG230MD, PD, GD</u>			
1	90382		Track for Top or Bottom
2	90379		Body Assy. W/Toothbrush Holder
9	90385		Frame Top/End
10	90386		Frame Bottom
11	90357		Hardware Set

Order Parts From: PARTS DEPT. C/O

## NuTone

DIVISION

Madison and Red Bank Rds., Cincinnati, O. 45227