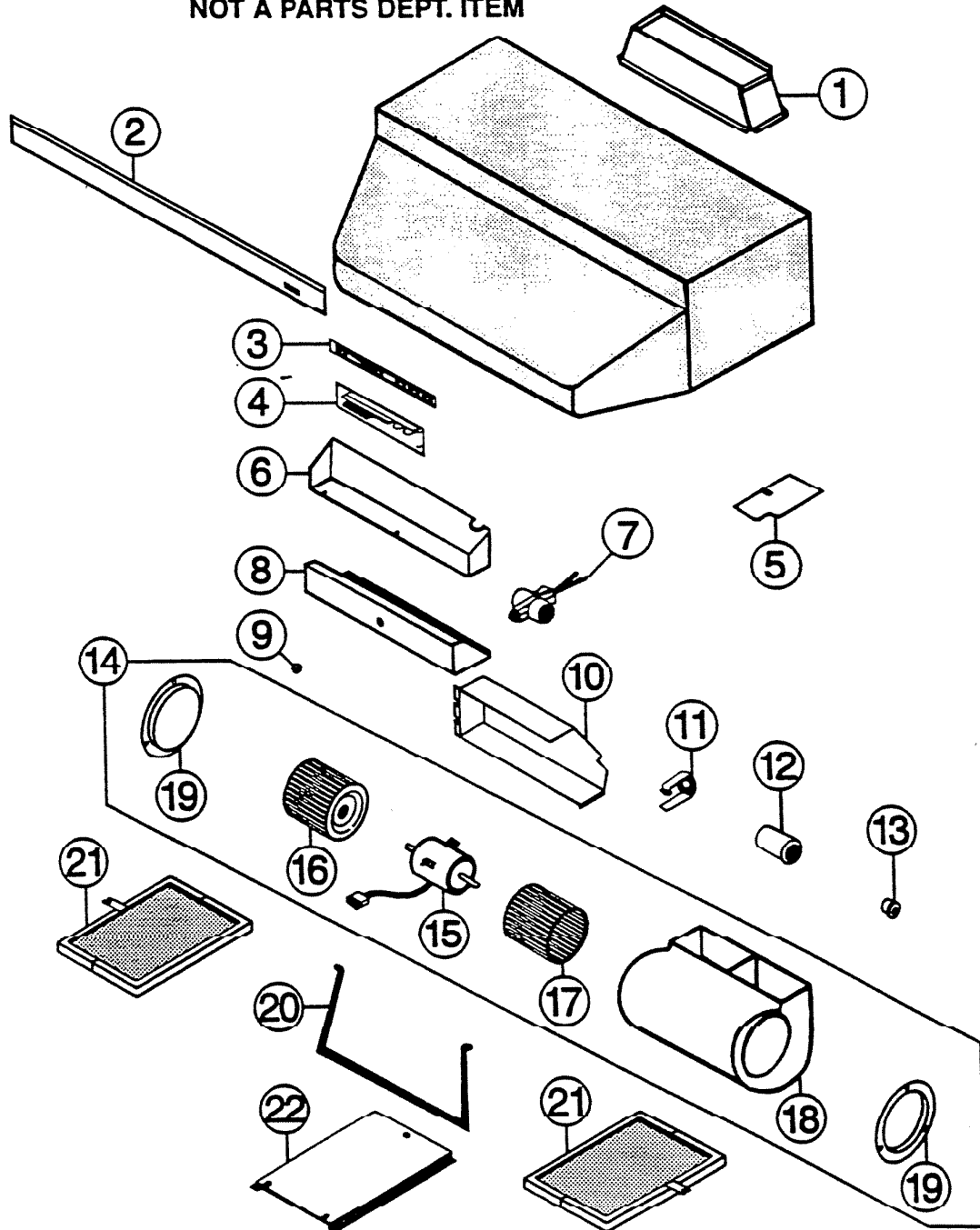


PARTS LIST

EFFECTIVE DATE	MODEL NUMBER	PRODUCT GROUP
AUGUST 1996	V9130, V9136, VS9230, VS9236, AA, WW, ALN, WHN, BL 30", 36" REVISED	HOOD

RANGE HOOD SHELL-
NOT A PARTS DEPT. ITEM



NuTone

NuTone
Attn: Parts Department
Madison & Red Bank Rds.
Cincinnati, OH 45227-1599
Phone: (513) 527-5426
Fax: (513) 527-5173

P. C. BOARD
K6263-000

REF.	ORIGINAL PART NO.	*PART DESCRIPTION	MODEL USED ON	CURRENT REPLACEMENT PART NO.	
1	K6058	TRANSITION DUCT ASSEMBLY	ALL MODELS	K6058	
2	C-K6475	DECOR PANEL	30" HOOD	V9130AA, VS9230AA	K6475
	C-K6467			V9130WW, VS9230WW	K6467
	C-K6473			V9130ALN, VS9230ALN	K6473
	C-K6469			V9130WHN, VS9230WHN	K6469
	C-K6471			V9130BL, VS9230BL	K6471
	C-K6476		36" HOOD	V9136AA, VS9236AA	K6476
	C-K6468			V9136WW, VS9236WW	K6468
	C-K6474			V9136ALN, VS9236ALN	K6474
	C-K6470			V9136WHN, VS9236WHN	K6470
	C-K6472			V9136BL, VS9236BL	K6472
3	C-K6480	TOUCH PAD	V9100AA, VS9200AA	K6480	
	C-K6479		V9100WW, WHN VS9200WW, WHN	K6479	
	C-K6482		V9100ALN, VS9200ALN	K6482	
	C-K6481		V9100BL, VS9200BL	K6481	
4	B-K6263	CONTROL	ALL MODELS	K6263	
5	B-K5815	JUNCTION BOX COVER	ALL MODELS	K5815	
6	C-K6243	CONTROL COVER	ALL MODELS	K6243	
7	A-K5814	LAMP SOCKET - TWIN	V9100 ALL FINISHES	K5814	
8	C-K5822	LENS	ALL MODELS	K5822	
9	A-K5823	NUT - THUMB	ALL MODELS	K5823	
10	C-K6245	SWITCH BOX COVER	ALL MODELS	K6245	
11	B-K6248	MOUNTING STRAP	V9100 ALL FINISHES	K6248	
12	B-K6249	CAPACITOR	V9100 ALL FINISHES	K6249	
13	A-K6247	BOOT - TERMINAL	V9100 ALL FINISHES	K6247	
14	K6266	BLOWER ASSEMBLY	V9100 ALL FINISHES	K6266	
15	C-K6337	MOTOR	V9100 ALL FINISHES	K6337	
16	A-K6440	BLOWER WHEEL - CW	V9100 ALL FINISHES	K6439	
17	A-K6439	BLOWER WHEEL - CCW	V9100 ALL FINISHES	K6440	
18	D-K6430	SCROLL ASSEMBLY	V9100 ALL FINISHES	K6430-K32	
19	C-K6450	VENTURI	V9100 ALL FINISHES	K6450	

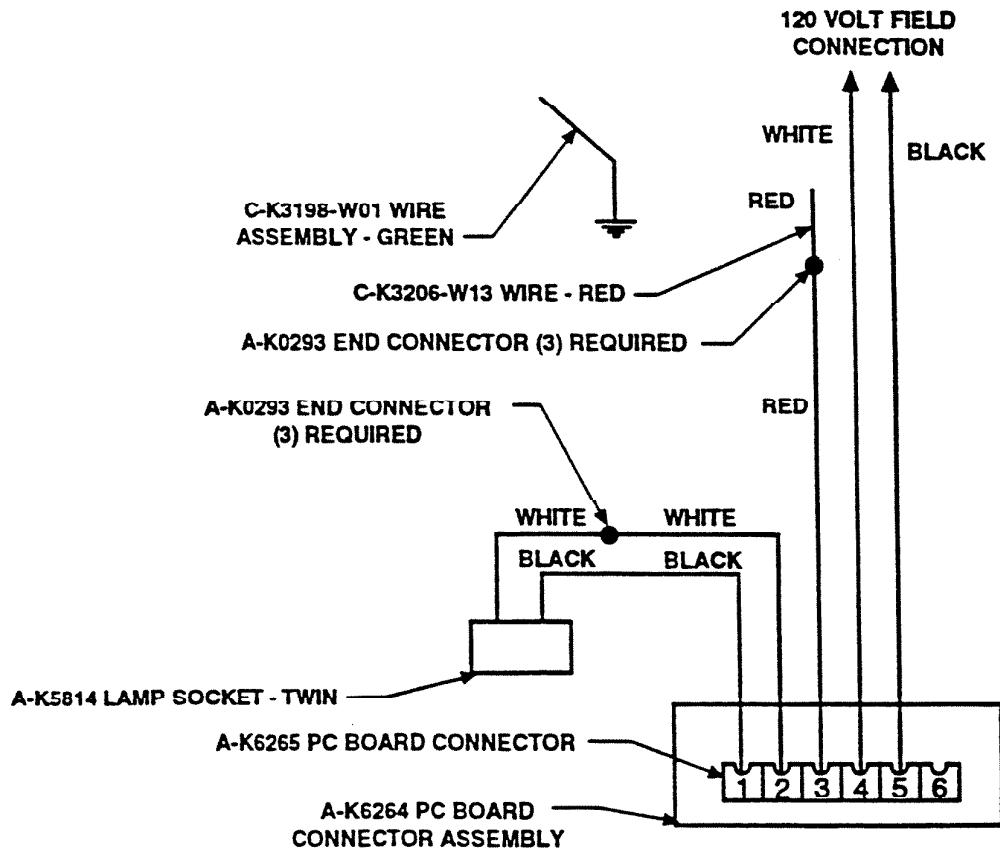
↑

**NOTE: Always order by
current part number**

REF.	ORIGINAL PART NO.	*PART DESCRIPTION	MODEL USED ON	CURRENT REPLACEMENT PART NO.
20	B-K6250	BAIL	V9100 ALL FINISHES	K6250
21	B-K6240	FILTER ASSEMBLY	ALL MODELS	K6240
22	C-K6238	BAFFLE PANEL	V9130AA, V9130ALN V9136AA, V9136ALN VS9230AA, VS9230ALN VS9236AA, VS9236ALN	K6238-K41
			V9130WW, V9130WHN V9136WW, V9136WHN VS9230WW, VS9230WHN VS9236WW, VS9236WHN	K6238-K50
			V9130BL, V9136BL VS9230BL, VS9236BL	K6238-K42

NOTE: Always order by current part number

WIRING DIAGRAM FOR MODEL VS9200 (ALL MODELS)



WIRING DIAGRAM FOR MODEL V9100 (ALL MODELS)

