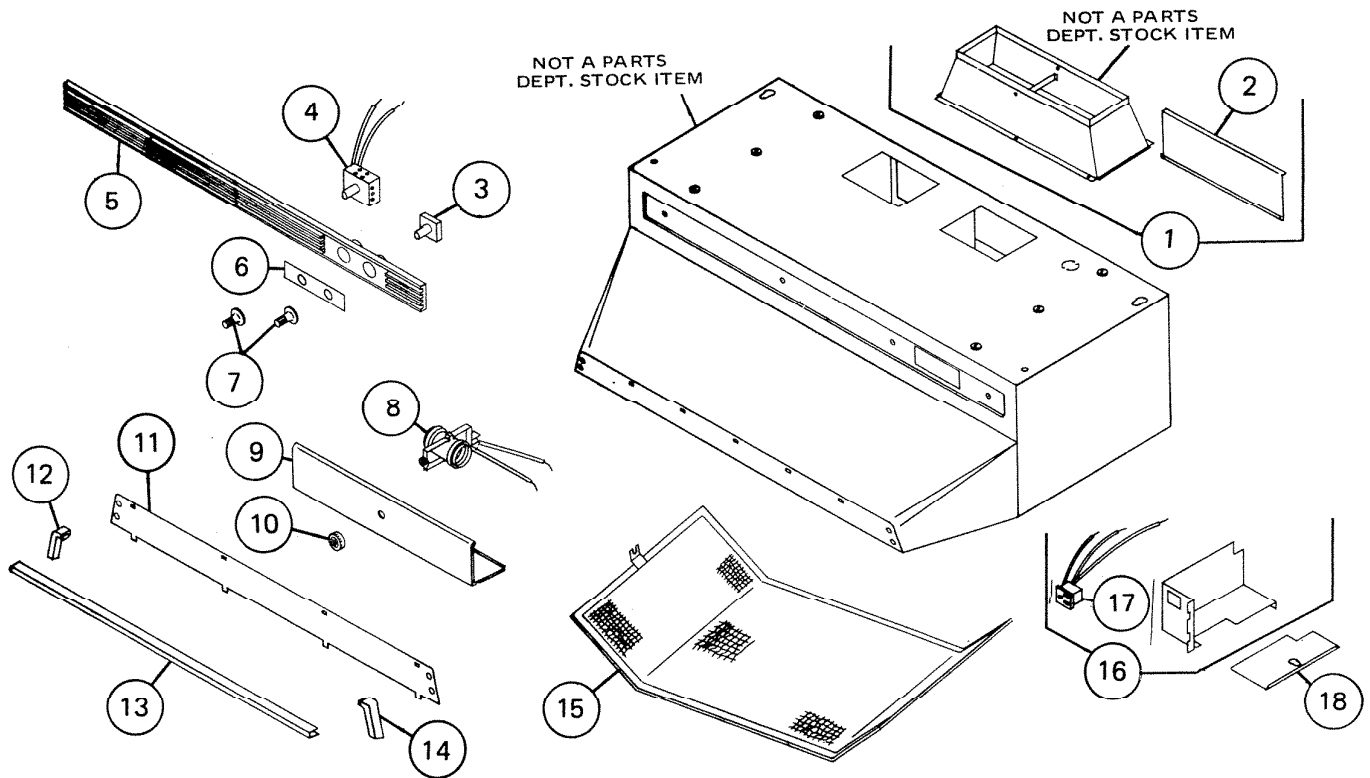


PARTS LIST


EFFECTIVE DATE	MODEL	PRODUCT GROUP
MARCH 1982	V80N NEW V80 REVISED	HOOD



REF.	ORIGINAL PART NO.	* PART DESCRIPTION	MODEL USED ON	CURRENT REPLACEMENT PART NO.
1	17940	DUCT & LOUVER ASSEMBLY	V80N, V80	17940-000
2	17946	LOUVER ASSEMBLY	V80N, V80	17946-000
3	17484	LIGHT SWITCH	V80N, V80	17484-000
4	51020	SPEED CONTROL SWITCH	V80N	51020-000
	26546		V80	
5	1118A	NAMEPLATE GRILLE KIT (Includes Acorn Nuts)	V80N, V80	1118A-000
6	65799	INSERT	V80N, V80	65799-000
7	69187	KNOB SET (1-FAN, 1-LIGHT)	V80N, V80	69187-000
8	65812	TWIN LAMP SOCKET	V80N, V80	65812-000
9	65800	LENS	V80N, V80	65800-000
10	67545	LENS NUT	V80N, V80	67545-000
		(PLEASE SEE OTHER SIDE)		

NuTone

NOTE: Always order by current part number.

REF.	ORIGINAL PART NO.	* PART DESCRIPTION	MODEL USED ON	CURRENT REPLACEMENT PART NO.
11	65801	DECOR PANEL	V80N, V80	65801-000
	65802			65802-000
	65803			65803-000
12	1116A	L.H. END TRIM KIT (Includes Nuts)	V80N, V80	1116A-000
13	65804	CENTER TRIM	V80N, V80	65804-000
	65805			65805-000
	65806			65806-000
14	1117A	R.H. END TRIM KIT (Includes Nuts)	V80N, V80	1117A-000
15	65893	FILTER – ALUMINUM MESH	V80N, V80	65893-000
16	65810	SWITCH BOX ASSEMBLY	V80N, V80	65810-000
17	65892	PLUG RECEPTACLE	V80N, V80	65892-000
18	65813	JUNCTION BOX COVER	V80N, V80	65813-005
				 NOTE: Always order by current part number.