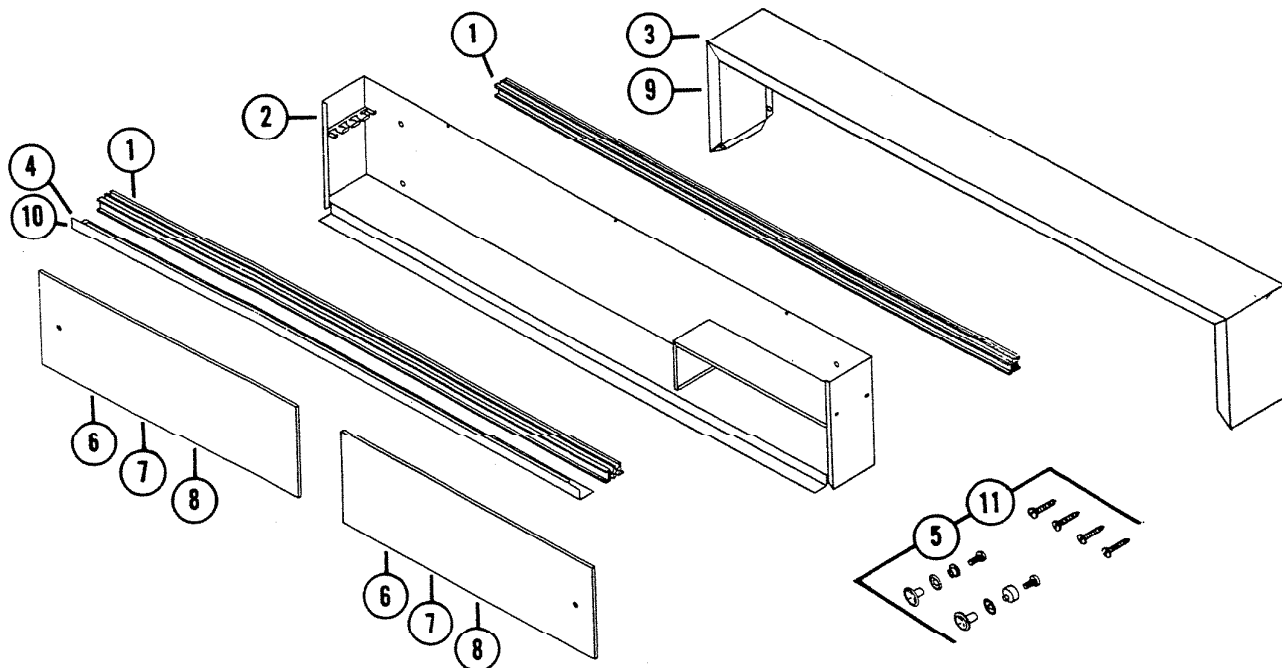


PARTS LIST

MODEL	V48MD, PD, GD & VG248MD, PD, GD
EFFECTIVE DATE	Bathroom Cabinets January p, 1972



REF.	PART NO.	* Part used on other models.	NOMENCLATURE
<u>COMMON PARTS FOR V48MD, PD, GD</u>			
1	90466		Track for Top or Bottom
2	90463		Body Assy. W/Toothbrush Holder
3	92302		Frame Top/End
4	90468		Frame Bottom
5	90353		Hardware Set
6	90472		Door - Mirror for <u>MODEL V48MD and VG248MD</u> Left or Right Hand
7	90475		Door - Plastic for <u>MODEL V48PD and VG248PD</u> Left or Right Hand
8	90477		Door - Glass for <u>MODEL V48GD and VG248GD</u> Left or Right Hand - Early Models
<u>COMMON PARTS FOR VG248MD, PD, GD</u>			
1	90466		Track for Top or Bottom
2	90463		Body Assy. W/Toothbrush Holder
9	92307		Frame Top/End
10	90470		Frame Bottom
11	90357		Hardware Set

NuTone Division

Order Parts From: Parts Department c/o
NuTone
Madison & Red Bank Road
Cincinnati, Ohio 45227