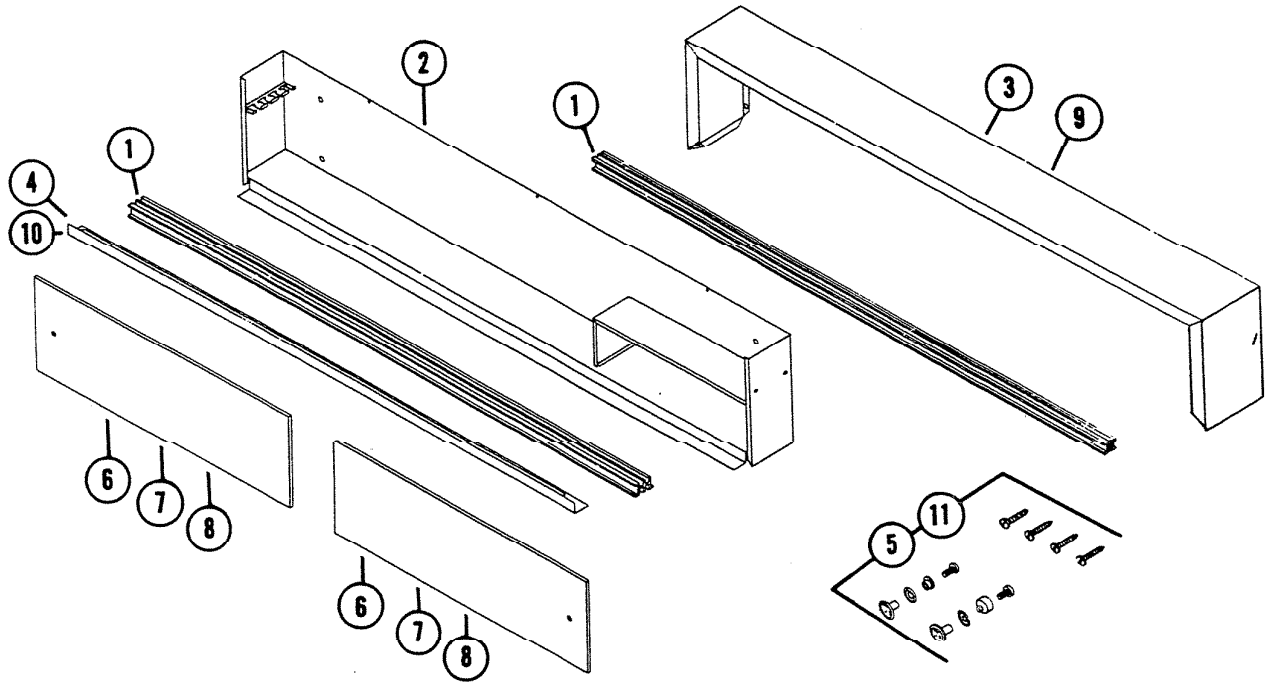


PARTS LIST

MODEL	V36MD, PD, GD & VG236MD, PD, GD
EFFECTIVE DATE	Bathroom Cabinets January 1, 1972



REF.	PART NO.	* Part used on other models.	NOMENCLATURE
<u>COMMON PARTS FOR V36MD, PD, GD</u>			
1	90410		Track for Top or Bottom
2	90407		Body Assy. W/Toothbrush Holder
3	92300		Frame Top/End
4	90412		Frame Bottom
5	90353		Hardware Set
<u>MODEL V36MD and VG236MD</u>			
6	90416		Door - Mirror for Left or Right Hand
<u>MODEL V36PD and VG236PD</u>			
7	90419		Door - Plastic for Left or Right Hand
<u>MODEL V36GD and VG236GD</u>			
8	90421		Door - Glass for Left or Right Hand - Early Models
<u>COMMON PARTS FOR VG236MD, PD, GD</u>			
1	90410		Track for Top or Bottom
2	90407		Body Assy. W/Toothbrush Holder
9	92305		Frame Top/End
10	90414		Frame Bottom
11	90357		Hardware Set

NuTone Division

Order Parts From: Parts Department c/o
NuTone
Madison & Red Bank Road
Cincinnati, Ohio 45227