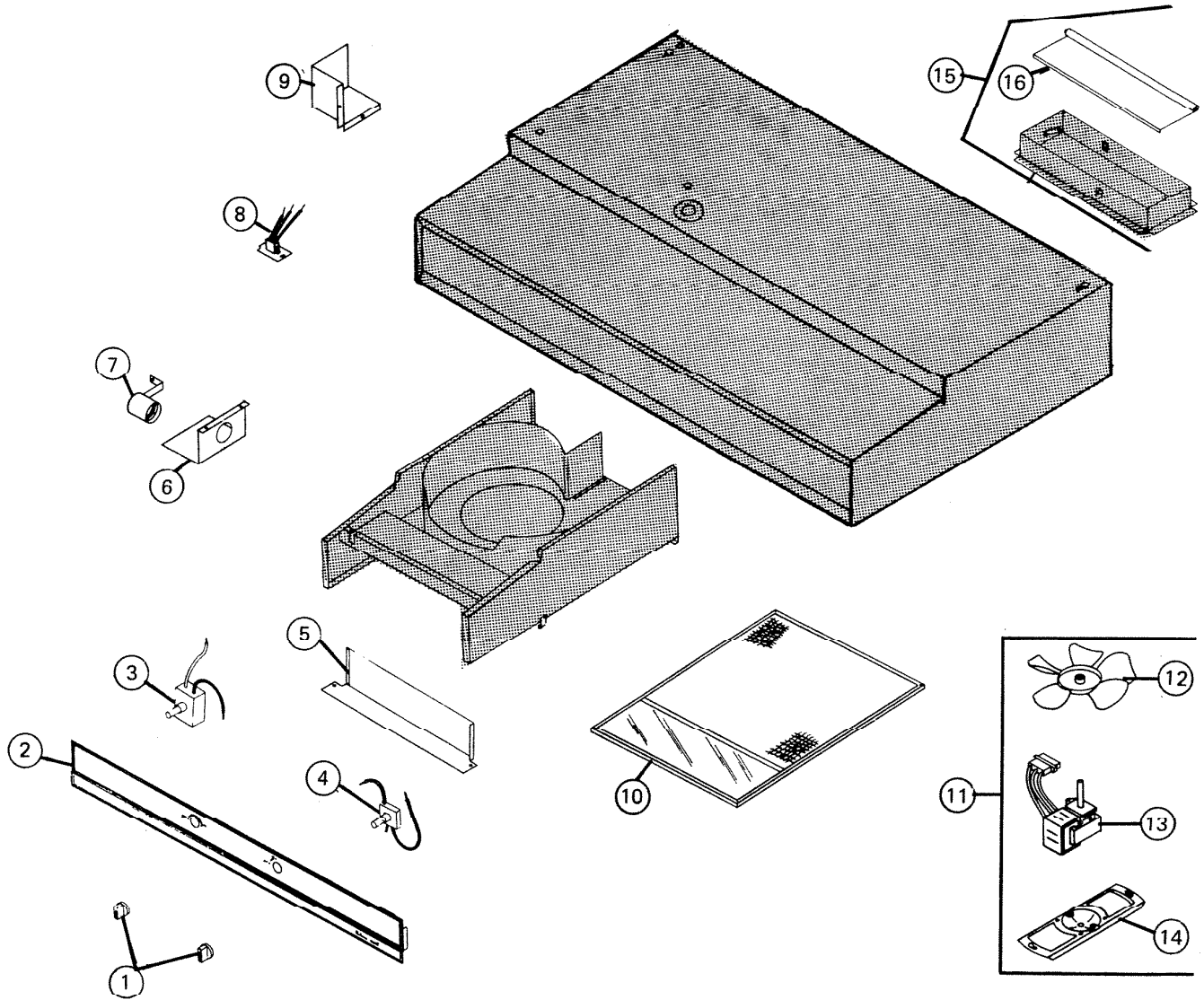


PARTS LIST

EFFECTIVE DATE	MODEL	PRODUCT GROUP
MARCH 1984	V260 NEW	HOODS




NOT A PARTS DEPT.
STOCK ITEM

REF.	ORIGINAL PART NO.	* PART DESCRIPTION	MODEL USED ON	CURRENT REPLACEMENT PART NO.
1	0409A	KNOB SET - 2	V260	0409A-000
2	58631	DECOR PANEL	30"	58631-000
	58632		36"	58632-000
	58633		42"	58633-000
		(PLEASE SEE OTHER SIDE)		

NuTone

NOTE: Always order by current part number.

REF.	ORIGINAL PART NO	PART DESCRIPTION	MODEL USED ON	CURRENT REPLACEMENT PART NO
3	26546	FAN SPEED CONTROL	V260	26546-000
4	17482	LIGHT SWITCH	V260	17484-000
5	21934	SWITCH COVER PLATE	V260	21934-005
6	81110	WIRING COVER	V260	81110-005
7	58660	LAMP SOCKET	V260	58660-000
8	27240	PLUG HOUSING ASSEMBLY	V260	1259A-000
9	21932	OUTLET COVER	V260	21932-000
10	21884	FILTER W/LENS	V260	21884-000
11	58661	MOTOR AND BRACKET ASSEMBLY	V260	58661-000
12	68293	FAN BLADE	V260	68293-000
13	27869	MOTOR	V260	27869-000
14	11840	MOTOR BRACKET	V260	11840-000
15	19749	DUCT AND LOUVER ASSEMBLY	V260	19749-000
16	67150	LOUVER ASSEMBLY	V260	67150-000
				 NOTE: Always order by current part number.