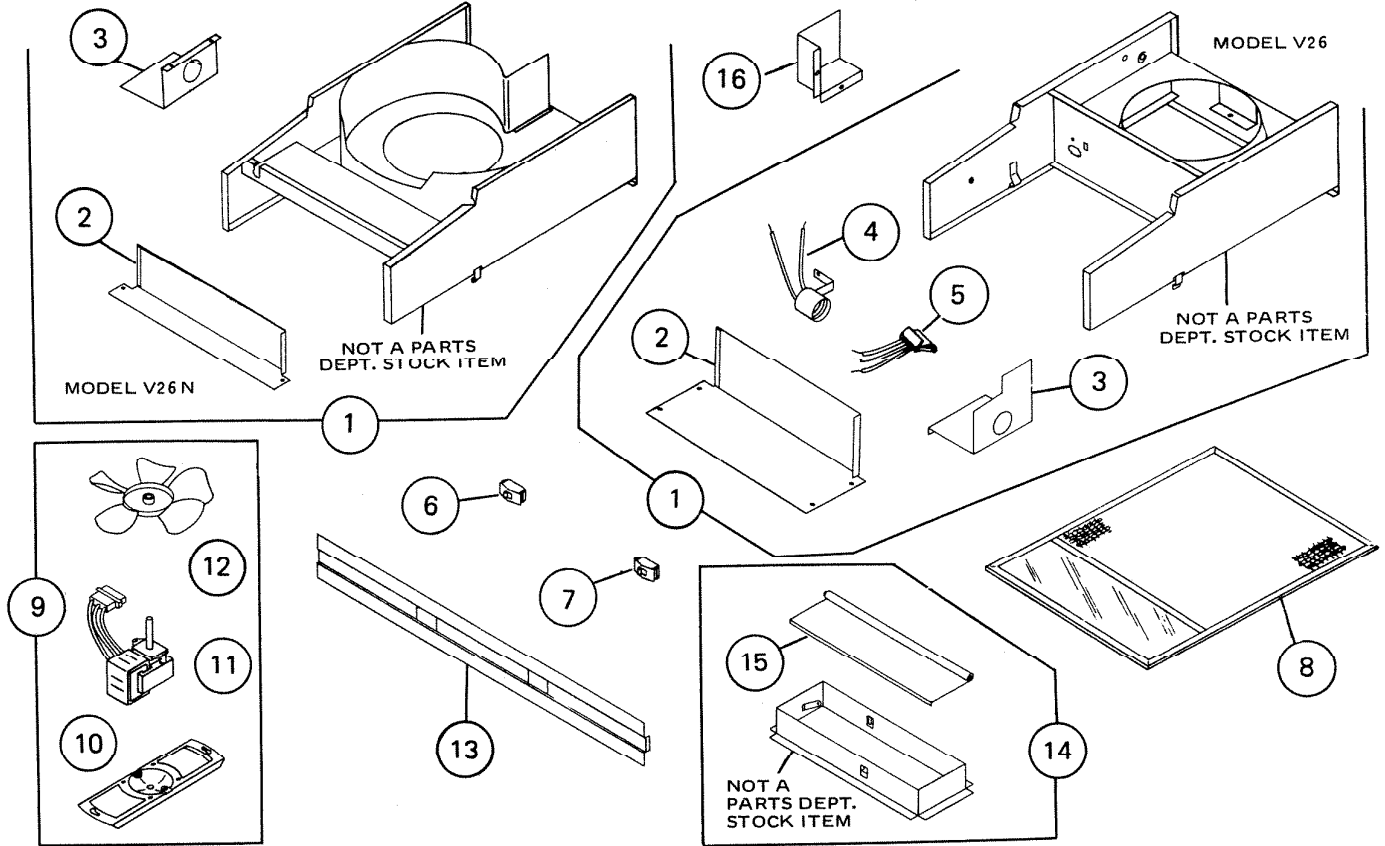


PARTS LIST

EFFECTIVE DATE	MODEL	PRODUCT GROUP
DEC. 1979	V26, V26N REVISED	HOOD



REF.	ORIGINAL PART NO.	* PART DESCRIPTION	MODEL USED ON	CURRENT REPLACEMENT PART NO.
1	64241	POWER UNIT WIRED LESS SWITCHES	V26	1247A-000
	67129		V26N	
2	21933	SWITCH COVER	V26	21933-005
	21934		V26N	21934-005
3	81108	WIRING COVER	V26	Void-Not Available
	81110		V26N	81110-005
4	64243	LAMP SOCKET ASSY	V26	64031-000
	64031		V26N	
5	27240	PLUG HOUSING-SOCKET ASSY – WIRED	V26 V26N	1259A
(PLEASE SEE OTHER SIDE)				

NuTone

NOTE: Always order by current part number.

REF.	ORIGINAL PART NO.	* PART DESCRIPTION		MODEL USED ON	CURRENT REPLACEMENT PART NO.	
6	63992	SWITCH (FAN)	Current Production Black & White	AG, CC, HG, WE, SS	V26 V26N	63992-000
	63993		Early Production Blue & White	WE SS	V26	63993-000
7	63994	SWITCH (LIGHT)	Current Production Black & White	AG, CC, HG, WE, SS	V26 V26N	63994-000
	63995		Early Production Blue & White	WE SS	V26	63995-000
8	21883	FILTER/LENS	13 1/2" x 11 5/8"		V26	21883-000
	21884		16 1/2" x 11 5/8"		V26N	21884-000
9	64040	"B" UNIT		V26 V26N	64040-000	
10	11840	MOTOR BRACKET		V26 V26N	11840-000	
11	27898	MOTOR		V26 V26N	27898-000	
12	27860	FAN BLADE			V26	68293-000
	67123				V26N	
13	63862	CONTROL PANEL	24"	Avocado Green	V26, V26N	63862-000
	63863			Colonial Copper	V26, V26N	63863-000
	63864			Harvest Gold	V26, V26N	63864-000
	63859			White & S.S.	V26, V26N	63859-000
	63866		30"	Avocado Green	V26, V26N	63866-000
	63867			Colonial Copper	V26, V26N	63867-000
	63868			Harvest Gold	V26, V26N	63868-000
	63860			White & S.S.	V26, V26N	63860-000
	63870		36"	Avocado Green	V26, V26N	63870-000
	63871			Colonial Copper	V26, V26N	63871-000
	63872			Harvest Gold	V26, V26N	63872-000
	63861			White & S.S.	V26, V26N	63861-000
	63874		42"	Avocado Green	V26, V26N	63874-000
	63875			Colonial Copper	V26, V26N	63875-000
	63876			Harvest Gold	V26, V26N	63876-000
	63878			White & S.S.	V26, V26N	63878-000
14	19749	DUCT AND LOUVER ASSY		V26 V26N	19749-000	
15	11461	LOUVER ASSY		V26 V26N	11461-000	
16	21932	OUTLET BOX COVER		V26	21932-005	