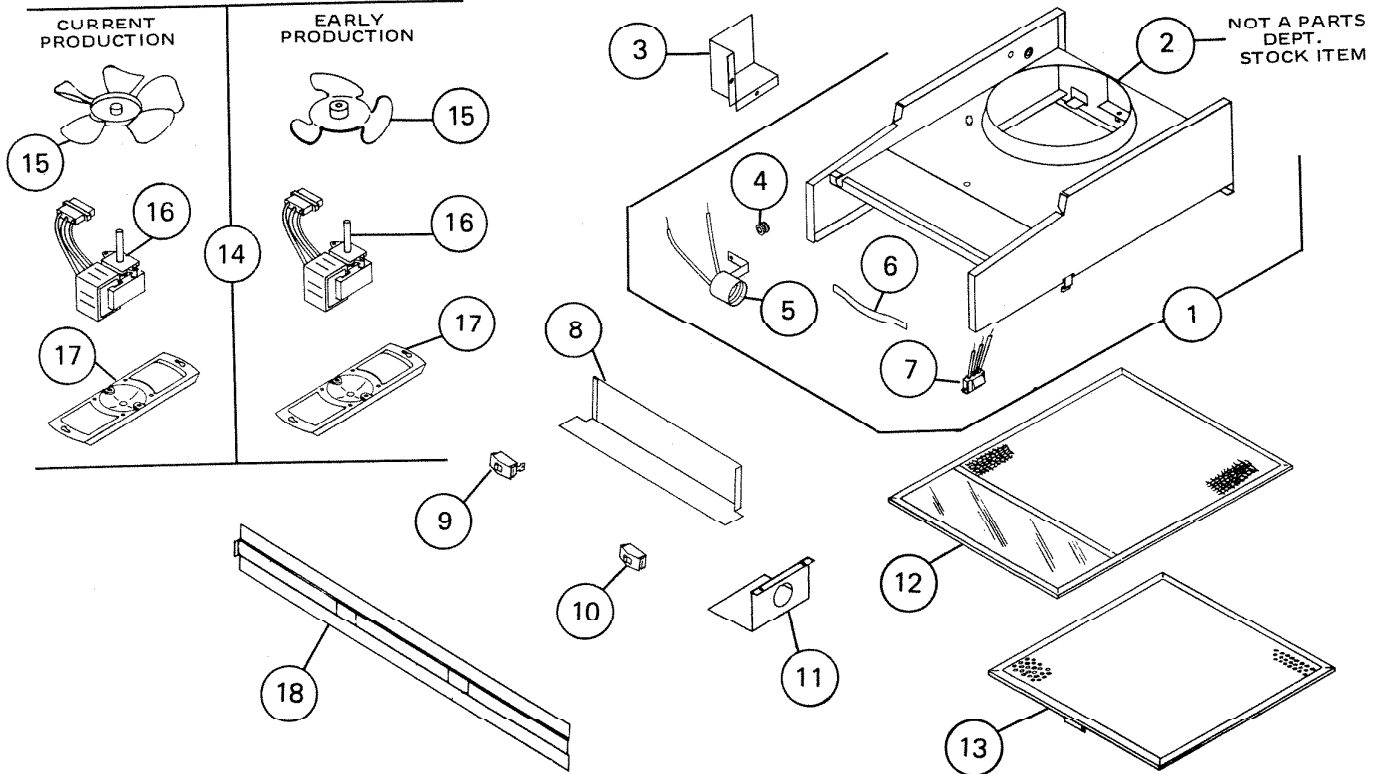


# PARTS LIST

EFFECTIVE DATE	MODEL	PRODUCT GROUP
AUGUST 1979	V-25 REVISED	HOOD



REF.	ORIGINAL PART NO.	* PART DESCRIPTION	MODEL USED ON	CURRENT REPLACEMENT PART NO.
1	64022-000	POWER UNIT	V-25	64022-000
2	21902-005	FAN HOUSING	V-25	21902-005
3	21932-005	OUTLET BOX COVER	V-25	21932-005
4	10058-000	GROMMET EARLY PROD ONLY	V-25	1241A-000
5	64031-000	LAMP SOCKET ASSY.	V-25	64031-000
6	18661-000	FILTER SPRING	V-25	18661-000
7	27240-000	PLUG HOUSING ONLY	V-25	27240-000
8	21934-005	SWITCH COVER	V-25	21934-005
9	63995-000	ROCKET SWITCH LIGHT (FOR WHITE AND STAINLESS STEEL HOODS)	V-25	63995-000
	63994-000	ROCKER SWITCH LIGHT (FOR AVOCADO GREEN, COLONIAL COPPER & HARVEST GOLD HOODS)		63994-000
(PLEASE SEE OTHER SIDE)				

**NuTone**

↑  
NOTE: Always order by

REF.	ORIGINAL PART NO.	* PART DESCRIPTION	MODEL USED ON	CURRENT REPLACEMENT PART NO.
10	63993-000	ROCKER SWITCH FAN (FOR WHITE AND STAINLESS STEEL HOODS)	V-25	63993-000
	63992-000	ROCKER SWITCH FAN (FOR AVOCADO GREEN, COLONIAL COPPER & HARVEST GOLD HOODS)		63992-000
11	81110	WIRING COVER	V-25	81110-005
12	21884-000	FILTER LENS ASSY.	V-25	21884-000
13	21880-000	CHARCOAL FILTER	V-25	27330-900
14	64040-000	"B" UNIT (MOTOR, BLADE & BRACKET)	V-25	64040-000
15	16631	FAN BLADE	V-25	16631-000
	27860			EARLY PROD CURRENT
16	27898	MOTOR	V-25	27898-000
17	11840-000	MOTOR BRACKET	V-25	11840-000
18	<u>24" HOODS</u>		V-25	
	63862-000	CONTROL PANEL AVOCADO GREEN		63862-000
	63863-000	CONTROL PANEL COLONIAL COPPER		63863-000
	63864-000	CONTROL PANEL HARVEST GOLD & ALMOND		63864-000
	63865-000	CONTROL PANEL WHITE AND STAINLESS STEEL	63859-000	
	<u>30" HOODS</u>		V-25	
	63866-000	CONTROL PANEL AVOCADO GREEN		63866-000
	63867-000	CONTROL PANEL COLONIAL COPPER		63867-000
	63868-000	CONTROL PANEL HARVEST GOLD & ALMOND		63868-000
	63869-000	CONTROL PANEL WHITE AND STAINLESS STEEL	63860-000	
	<u>36" HOODS</u>		V-25	
	63870-000	CONTROL PANEL AVOCADO GREEN		63870-000
	63871-000	CONTROL PANEL COLONIAL COPPER		63871-000
	63872-000	CONTROL PANEL HARVEST GOLD & ALMOND		63872-000
	63873-000	CONTROL PANEL WHITE AND STAINLESS STEEL	63861-000	
	<u>42" HOODS</u>		V-25	
63874-000	CONTROL PANEL AVOCADO GREEN	63874-000		
63875-000	CONTROL PANEL COLONIAL COPPER	63875-000		
63876-000	CONTROL PANEL HARVEST GOLD & ALMOND	63876-000		
63877-000	CONTROL PANEL WHITE AND STAINLESS STEEL	63878-000		
-----	14178-000	ENVELOPE ASSY. (MTG. SCREWS) Not Shown	V-25	14178-000