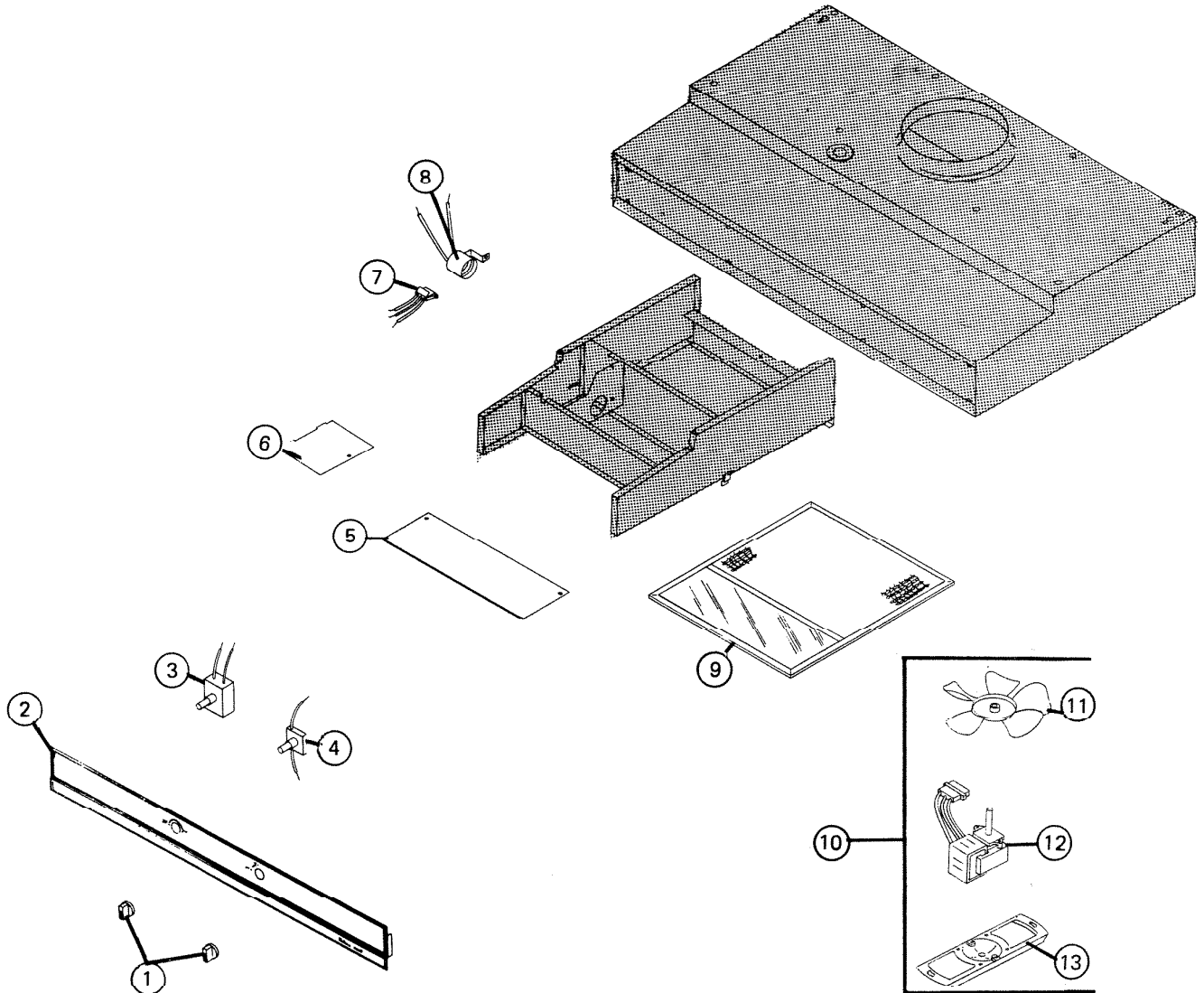


# PARTS LIST

EFFECTIVE DATE	MODEL	PRODUCT GROUP
MARCH 1984	V200 NEW	HOODS




NOT A PARTS DEPT.  
STOCK ITEM

REF.	ORIGINAL PART NO.	* PART DESCRIPTION	MODEL USED ON	CURRENT REPLACEMENT PART NO.
1	0409A	KNOB SET - 2	V200	0409A-000
2	58631	DECOR PANEL	30"	58631-000
	58632		36"	58632-000
	58633		42"	58633-000
(PLEASE SEE OTHER SIDE)				

**NuTone**

PRINTED IN U.S.A.

↑  
NOTE: Always order by  
current part number

REF	ORIGINAL PART NO.	PART DESCRIPTION	MODEL USED ON	CURRENT REPLACEMENT PART NO.
3	26546	FAN SPEED CONTROL	V200	26546-000
4	17482	LIGHT SWITCH	V200	17484-000
5	21980	SWITCH COVER	V200	21980-000
6	21981	WIRING COVER	V200	21981-000
7	27240	PLUG HOUSING ASSEMBLY	V200	1259A-000
8	18775	LAMP SOCKET	V200	18775-000
9	21883	FILTER	V200	21883-000
10	58630	MOTOR AND BRACKET ASSEMBLY	V200	58630-000
11	68293	FAN BLADE	V200	68293-000
12	53677	MOTOR	V200	53677-000
13	11840	MOTOR BRACKET	V200	11840-000
				 <p>NOTE: Always order by current part number.</p>