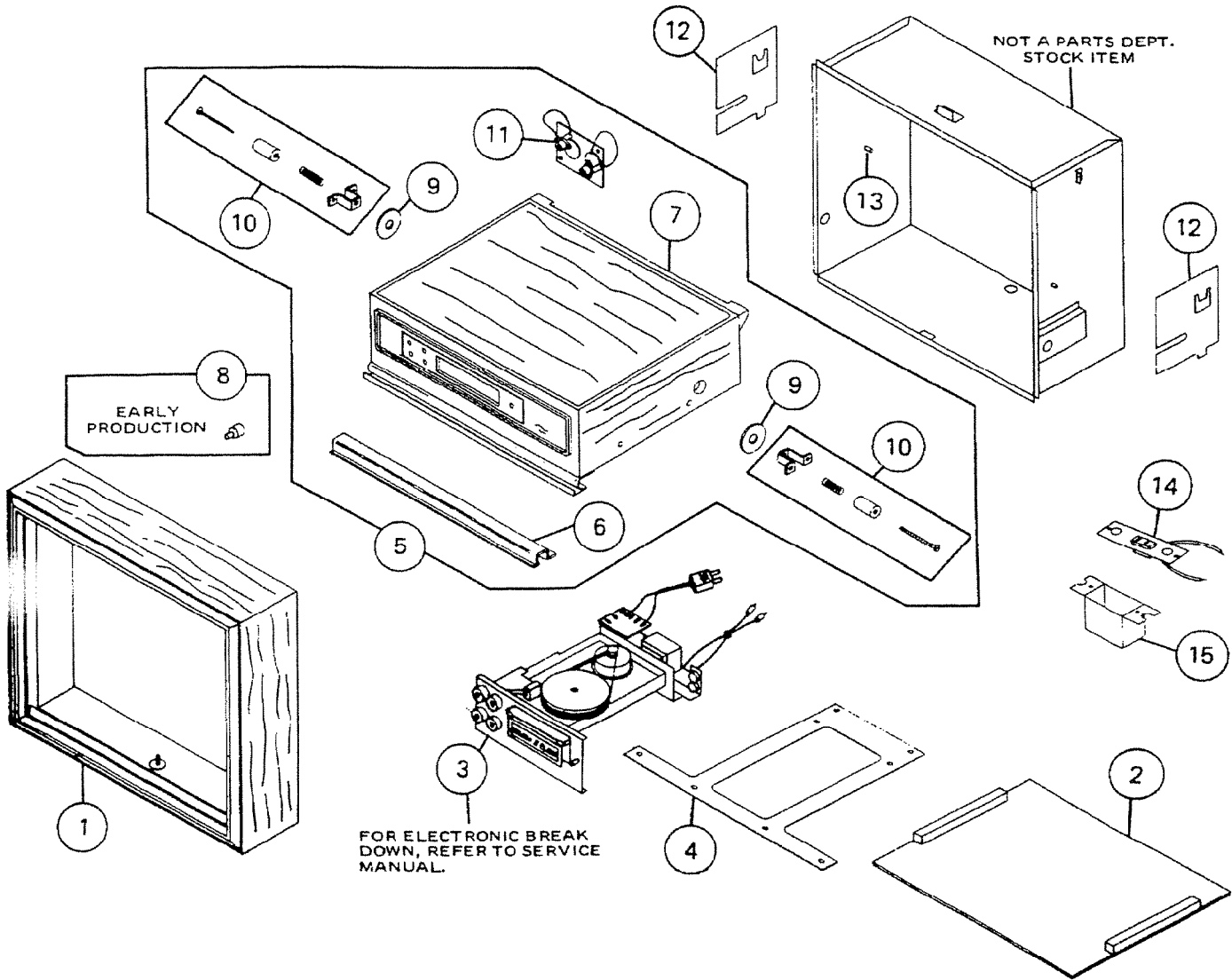


PARTS LIST

EFFECTIVE DATE	MODEL	PRODUCT GROUP
FEBRUARY 1980	TP-96 NEW	ELEC-TRONICS



REF.	ORIGINAL PART NO.	PART DESCRIPTION	MODEL USED ON	CURRENT REPLACEMENT PART NO.
1	41715	FRAME ASSEMBLY	TP-96	41715-000
2	38926	COVER - 8 TRACK BASE	TP-96	38926-000
3	36675	TAPE PLAYER - 8 TRACK	TP-96	36675-000
		(PLEASE SEE OTHER SIDE)		

NuTone Division
Scovill

↑
NOTE: Always order by current part number.
PL - TP-96

REF.	ORIGINAL PART NO.	PART DESCRIPTION	MODEL USED ON	CURRENT REPLACEMENT PART NO.
4	38393	PLATFORM – 8 TRACK	TP-96	38393-015
5	1551A	BASE ASSEMBLY	TP-96	1551A-000
6	38921	HANDLE	TP-96	38921-000
7	42270	FRONT PANEL ASSEMBLY	TP-96	42270-000
8	38929	KNOB EXTENSION	TP-96	38929-000
9	39303	SPACER (1) 2 – REQUIRED	TP-96	39303-000
10	41320	PLUNGER ASSEMBLY (1) 2 – REQUIRED	TP-96	41320-000
11	41559	SWITCHING JACK ASSEMBLY	TP-96	41559-000
12	38388	HANGER PLATE	TP-96	38388-005
13	39412	RUBBER BUMPER (1) 2 – REQUIRED	TP-96	39412-000
14	41324	COVER PLATE ASSEMBLY	TP-96	41324-000
15	41334	OUTLET BOX ASSEMBLY	TP-96	41334-000

Models TP-96 and 2508 Tape Player Parts List

Ref. No.	NuTone Part No.	Funai Part No.	Description
CHASSIS PARTS (Mechanical)			
B1	5607A	23S7150	Chassis
B2	5608A	23W8069	Cartridge Support
B3	5609A	25R7045	Flywheel
B4	5610A	22R7046	Flywheel Metal
B5	5611A	22R7038	Cam Assembly
B6	5612A	25W7700	Selector Armshaft
B7	5613A	23W8724	Selector Arm A
B8	5614A	23W8725	Selector Arm B
B9	5615A	23W9093	Solenoid Arm
B10	5616A	26W7240	Selector Arm Spring
B11	5617A	21W7416	Tape Switch
B13	5618A	21V7020	Belt
B14	5619A	25W7545	Pressure Arm Shaft
B15	5620A	23W8369	Pressure Arm
B16	5621A	25W7542	Pressure Roller Shaft
B17	5622A	21W7140	Pressure Roller
B18	5623A	25W7669	Motor Pulley
B19	5624A	23W8073	Head Base
B20	5625A	23W8068	Cam Shaft Holder
B21	5626A	25W7459	Base Shaft
B22	5627A	25W7460	Basic Shaft
B23	5628A	25W7572	Shaft Boss
B24	5629A	21N7169	Cartridge Guide
B25	5630A	25W7547	Guide Shaft
B26	5631A	26W7256	Solenoid Spring
B27	5632A	23W9040	Selector P.C.B. Angle
B28	5633A	21W7003	Guide Roller
B29	5634A	25W7025	Guide Roller Shaft
B31	5635A	26W7039	Pressure Spring
B32	5636A	26W7136	Cam Pressure Spring
B34	5637A	26W8518	Adjusting Spring
B35	5638A	23W8171	Head Holder
B36	5639A		Tube O6 x 25
B38	5896A	24W7970	Insulating Fiber
B39	5640A	23W8861	Fly Wheel Receiver
B40	5641A	21W7127	Lamp Holder
B42	5642A	26W7134	Door Spring
B43	5643A	26W7132	Door Shaft
B44	5644A	23W9181	P.C.B. Holder A
B45	5645A	23W7180	P.C.B. Holder B
B47	5646A	21W7350	Micro Switch Cover
B48	5647A	24T7166	Capstain Holder
B49	5648A	23W8444	Shield Plate
B50	5649A	24T7138	Shield Fiber
B51	5650A	24W8522	Fiber Washer
B52	5651A	23W8092	Volume Mount
B53	5652A	23S7174	Deck Front
B54	5653A	23S7173	Deck Stand
B55	5654A	23W8210	Wires Clamp
B56	5655A		Tube O3 x 30
B57	5656A	24W7180	Washer
B58	5657A	26W7137	Micro Switch Arm
B59	5658A	23W7392	Micro Switch Angle
B60	5659A	23M7459	Door
L1	5705A	SLM3308	Tapping Screw M 3 x 8
L2	5706A	SLM3306	Tapping Screw M 3 x 6
L3	5707A	SZM3305	Tapping Screw M 3 x 5
L4	5708A	CPM1214	Assem. Screw M 2 x 14
L5	5709A	CPM1908	Assem. Screw M 2.6 x 8
L7	5710A	SPM3308	Pan Screw M 3 x 8
L8	5727A	CPM3305	Assem. Screw M 3 x 5
L9	5711A	CPM3312	Assem. Screw M 3 x 12
L10	5712A	CPM3308	Assem. Screw M 3 x 8
L12	5713A	SEM3310	Flush. Screw M 3 x 10
L13	5714A	SAN1912	Flat Screw M 2.6 x 12
L14	5715A	SGN2904	Set Screw M 2.6 x 4
L16	5716A	WSM3067	Spring Washer O3
L17	5717A	NHM3030	Nut M 3
L18	5718A	HEO3006	Ground Lug O3 x O6
L19	5719A	RFD2004	Rivet O2 x 4
L20	5720A	RFD3004	Rivet O3 x 4
L21	5721A	RFA3006	Rivet O3 x 6
L22	5722A	EEU0025	E Ring O2.5
L23	5723A	EEU0023	E Ring O2.3
L24	5724A	EEU0030	E Ring O3
L25	5725A	NTKA024	Pushnut O2.4
L26	5726A	WPM4081	Flat Washer O4 x O8 x L1.

Ref. No.	NuTone Part No.	Funai Part No.	Description
P.C. BOARD PARTS (Electrical)			
PCB1	5660A	1610461	P.C.B. (Pre Amp)
PCB2	5661A	1611095	P.C.B. (Program Selector)
PCB3	5662A	1610838	P.C.B. (Power Supply)
M	5663A	164N068	Motor
P.B.H.	5664A	165M065	Playback Head
SWI	5665A	1623021 or 1623074	Power Switch
SW2	5666A		Tape SW. (cf. Macha.)
SW3	5667A	1622454	Push Sw. (Program Selector)
PL-4	5668A	1830096	Pilot Lamp (Channel Ind.)
P.T.	5669A	118E411A	Power Transformer
VR1	5670A	139N097	Output Level Control
VR2			Volume — 10KB
E1	5671A	166X039	Solenoid
E2	5672A	1750422	AC Cord With Plug
E3	5673A	1750176	Patch Cord
E4	5674A	CHSR3P4	Busing (AC Cord Stopper)
E5	5675A	1720064	Strip Terminal IL2P
E6	5895A	2-SD	Pressure Cable Connector
TR1	5676A	2SC1327	Transistor (Pre Amp 1st)
TR2			
TR3	5677A	2SC828	Transistor (Pre Amp 2nd)
TR4			
TR5			
TR6			
D1-3	5678A	SRIK-2 or V06	Diode
C1	5679A	1271471	Capacitor-Cerm. (K) 470PF 50V
C2			
C3	5680A	1204475	Capacitor-Elect. 4.7uf 25V
C4			
C5	5679A	1271471	Capacitor-Cerm. (K) 470PF-50V
C6			
C7	5681A	1254103	Capacitor-Mylar (J) .01uf 50V
C8			
C9	5682A	1271101	Capacitor-Cerm. (K) 100PF 50V
C10			
C11	5683A	1202336	Capacitor-Elect. 33uf 10V
C12			
C13	5684A	1203106	Capacitor-Elect. 10uf 16V
C14			
C15	5682A	1271101	Capacitor-Cerm. (K) 100PF 50V
C16			
C17	5684A	1203106	Capacitor-Elect. 10uf 17V
C18			
C19	5685A	1203477	Capacitor-Elect. 470uf 16V
C20	5686A	1203227	Capacitor-Elect. 220uf 16V
C21	5687A	12F3403	Capacitor-Cerm. (Z) .04uf
C22	5688A	1220045	Capacitor-Elect. 2200uf 25V
C23	5689A	1204107	Capacitor-Elect. 100uf 25V
C24	5690A	1220160	Capacitor-Cerm. 4700PF
C25	5691A	1271102	Capacitor-Cerm (K) 1000PF 50V
C26			
C27			
C28			
R1	5692A	1337151	Resistor-Carbon-1/4W. 150 OHM
R2			
R3	5693A	1337103	Resistor-Carbon-1/4W. 10 OHM
R4			
R5	5694A	1337124	Resistor-Carbon-1/4W. 120 K
R6			
R7	5695A	1337563	Resistor-Carbon-1/4W. 56 K
R8			
R9	5694A	1337124	Resistor-Carbon-1/4W. 120 K
R10			
R11	5696A	1337821	Resistor-Carbon-1/4W. 820 OHM
R12			
R13	5697A	1337822	Resistor-Carbon-1/4W. 8.2 K
R14			
R15	5698A	1337823	Resistor-Carbon-1/4W. 82 K
R16			
R17	5699A	1337682	Resistor-Carbon-1/4W. 6.8 K
R18			
R19	5700A	1337222	Resistor-Carbon-1/4W. 2.2 K
R20			
R21	5701A	1337181	Resistor-Carbon-1/4W. 180 OHM
R22			
R23	5702A	1337152	Resistor-Carbon-1/4W. 1.5 K
R24	5703A	1337391	Resistor-Carbon-1/4W. 390 OHM
R25	5696A	1337821	Resistor-Carbon-1/4W. 820 OHM
R26			
R27	5704A	1347689	Resistor-Fuse 6.8 OHM 1/2W