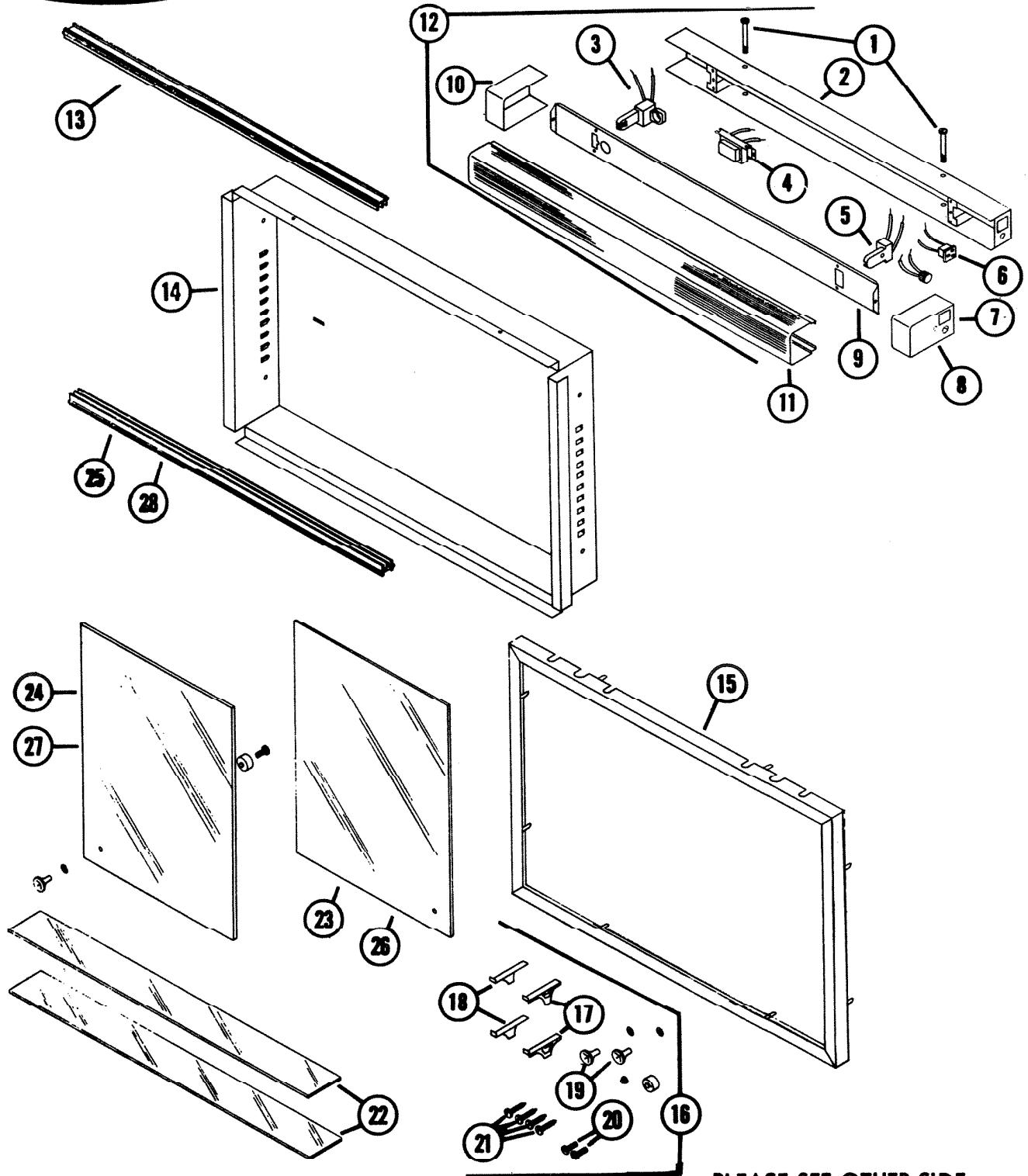


EFFECTIVE DATE

May 1, 1971

NuTone PARTS LIST

MODEL
TL-629C - TL-629P
Bathroom Cabinets



PLEASE SEE OTHER SIDE

Order Parts From: PARTS DEPT. C/O

NuTone

Madison and Red Bank Rds., Cincinnati, O. 45227

REF.	PART NO.	*Part used on other model/s	PART DESCRIPTION
			<u>COMMON PARTS</u>
1	90190	*	Screw Bolt #8 - 32 x 2 13/16 (2 required)
2	90173	*	Body Assy. (Light)
3	90182	*	Lamp Holder (starter type)
4	90177	*	Ballast
5	90183	*	Lamp Holder
6	90187	*	Convenience Outlet
7	90185	*	Switch
8	90195	*	End Cap R. H.
9	90192	*	Reflector
10	90198	*	End Cap L. H.
11	90194	*	Lens
12	90172	*	Light Fixture Complete
13	90164	*	Track Top
14	90160	*	Body Assy.
15	90167	*	Frame Assy. (Mirror)
16	90211	*	Hardware Set
17	90212	*	Support R. H. (2 required)
18	90213	*	Support L.H. (2 required)
19	90214	*	Knob (2 required)
20	90215	*	Screw (for knob - 2 required)
21	90040	*	Screw (mounting - 4 required)
22	90203	*	Shelf (2 required)
			<u>MODEL TL-629C</u>
23	90205	*	Mirror R. H. 3/16 Heavy Sheet
24	90206	*	Mirror L. H. 3/16 Heavy Sheet
25	90165	*	Track Bottom
			<u>MODEL TL-629P</u>
26	90208	*	Mirror R. H. - Plate
27	90209	*	Mirror L. H. - Plate
28	90166	*	Track Bottom

Order Parts From: PARTS DEPT. C/O

NuTone

Madison and Red Bank Rds., Cincinnati, O. 45227