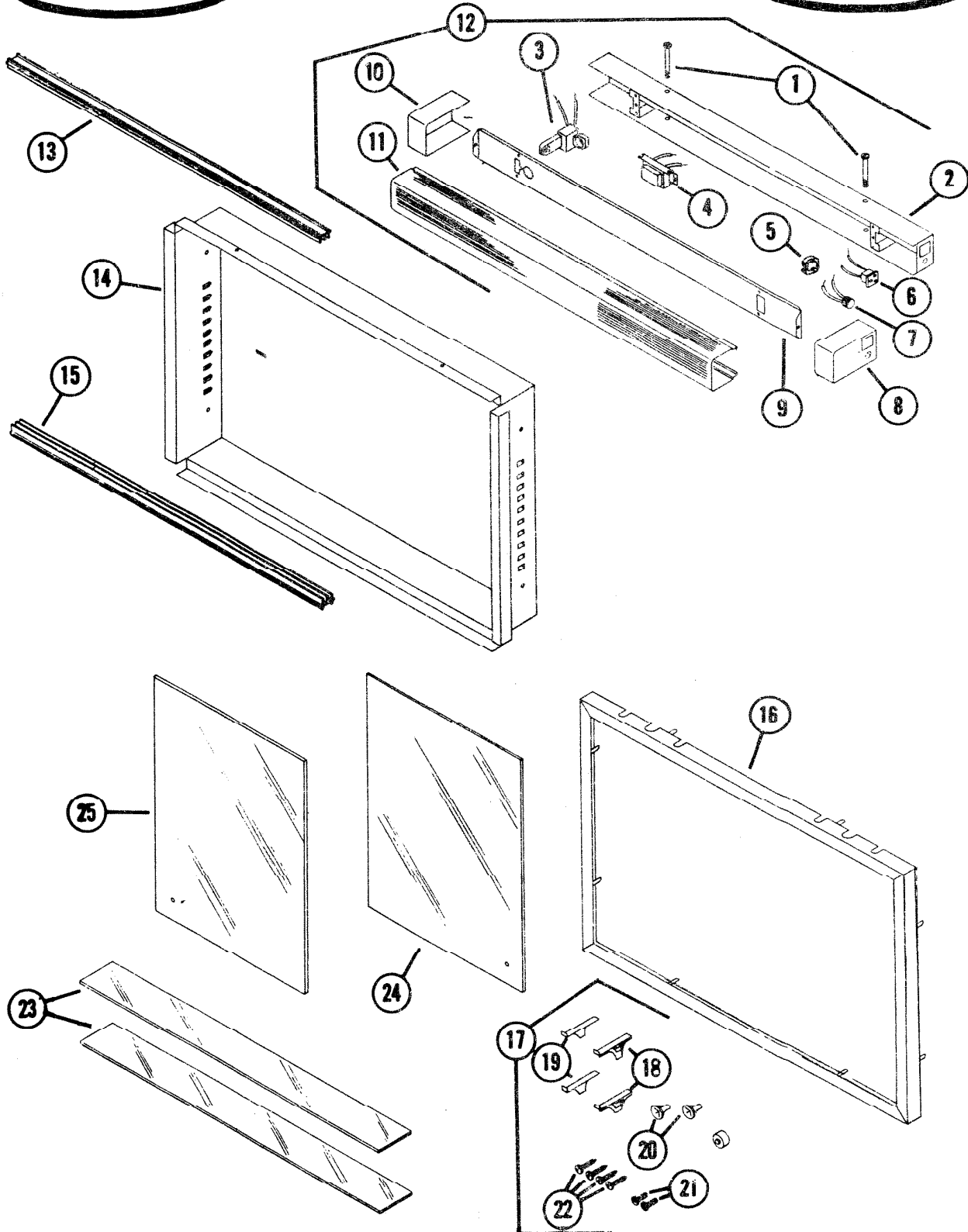


EFFECTIVE DATE

May 1, 1971

NuTone PARTS LIST

MODEL
TL-624P
Bathroom Cabinets



Order Parts From: PARTS DEPT. C/O

NuTone
DIVISION

PLEASE SEE OTHER SIDE

REF.	PART NO.	*Part used on other model/s	PART DESCRIPTION
1	90190	*	Screw Bolt #8 - 32 x 2 13/16 (2 required)
2	90726		Body Assy. (Light)
3	90182	*	Lamp Holder (Starter type)
4	90177	*	Ballast
5	90730		Lamp Holder
6	90187	*	Convenience Outlet
7	90185	*	Switch
8	90265		End Cap R. H.
9	90731		Reflector
10	90199		End Cap L. H.
11	90732		Lens
12	90725		Light Fixture Complete
13	90617		Track Top
14	90615		Body Assy.
15	90619		Track Bottom
16	90724		Frame Assy. (Mirror)
17	90211	*	Hardware Set
18	90212	*	Support R. H. (2 required)
19	90213	*	Support L. H. (2 required)
20	90214	*	Knob (2 required)
21	90215	*	Screw (for knob - 2 required)
22	90040	*	Screw (mounting - 4 required)
23	91664		Shelf (2 required)
24	90625		Mirror R. H. - Plate
25	90626		Mirror L. H. - Plate

Order Parts From: PARTS DEPT. C/O

NuTone

DIVISION

Madison and Red Bank Rds. Cincinnati, O. 45227