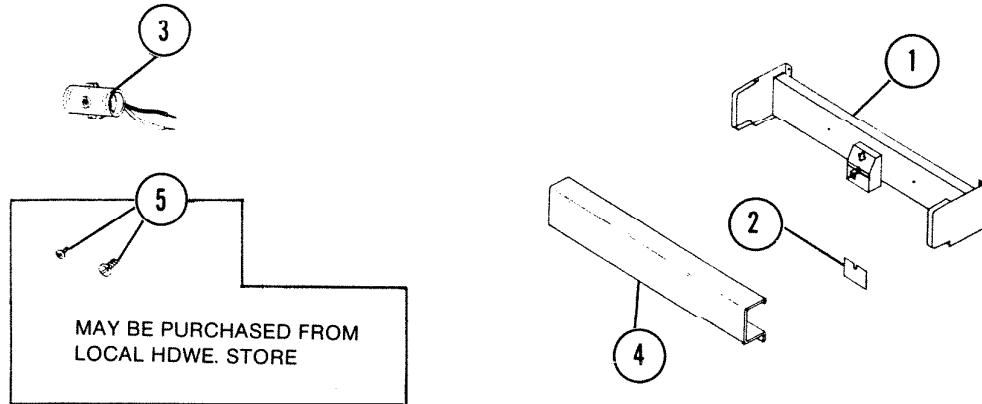


# PARTS LIST

EFFECTIVE DATE	MODEL	PRODUCT GROUP
SEPTEMBER 1978	TL-28 REVISED	DATH I CABINET



REF.	ORIGINAL PART NO.	* PART DESCRIPTION	MODEL USED ON	CURRENT REPLACEMENT PART NO.
1	94274	Housing Assy.	TL-28	94274-206
2	92870	Junction Box Cover	TL-28	92870-000
3	19329	Twin Lamp Socket	TL-28	19329-000
4	94284	Lens	TL-28	94285-000
5	94286	Hardware Set NOTE: MAY BE PURCHASED FROM LOCAL HDWE. STORE Size: 2 - #8 x 2 5/8" Sltd. Rd. Hd. 2 - #8 x 1 1/4" Sltd. Rd. Hd.	TL-28	94286-000