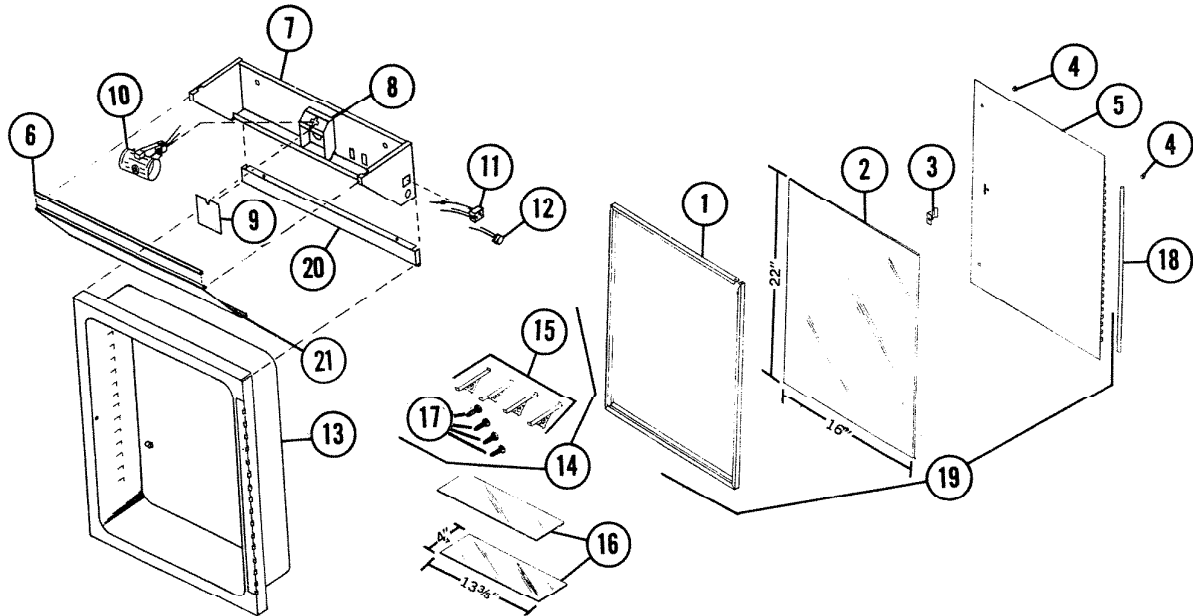


PARTS LIST

MODEL	TL-27P – TL-27W
EFFECTIVE DATE	AUGUST, 1973



REF.	ORIGINAL PART NO.	* PART DESCRIPTION	MODEL USED ON	CURRENT REPLACEMENT PART NO.
1	90085-000	FRAME	TL-27P TL-27W	90085-000
2	90070-000	MIRROR	TL-27P	90070-000
	90071-000		TL-27W	90071-000
3	90067-000	CATCH – DOOR	TL-27P TL-27W	90067-000
4	90069-000	BUMPER	TL-27P TL-27W	90069-000
5	90064-000	DOOR BACK & HINGE	TL-27P TL-27W	90064-206
6	92873-000	TRIM – LENS	TL-27P TL-27W	92873-000
7	92868-000	LIGHT CELL	TL-27P TL-27W	92868-014
8	92869-000	JUNCTION BOX	TL-27P TL-27W	92869-000
9	92870-000	JUNCTION BOX COVER	TL-27P TL-27W	92870-000
10	19329-000	LIGHT SOCKET	TL-27P TL-27W	19329-000
11	90268-000	CONVENIENCE OUTLET	TL-27P TL-27W	90268-000
		PLEASE SEE OTHER SIDE		

NuTone Division

Order Parts From:
Parts Department c/o NuTone
P.O. Box 27 • Cincinnati, Ohio 45227

NOTE: Always order by current part number.

PL-TL27P-TL27W

REF	ORIGINAL PART NO.	* PART DESCRIPTION	MODEL USED ON	CURRENT REPLACEMENT PART NO.
12	92880-000	SWITCH	TL-27P TL-27W	92880-000
13	90097-000	BODY AND HINGE ASSEMBLY	TL-27P TL-27W	90097-206
14	90076-000	HARDWARE SET	TL-27P TL-27W	90076-000
15	90039-000	SHELF SUPPORT (1) 4 REQUIRED	TL-27P TL-27W	90039-000
16	90043-000	SHELF ONE	TL-27P	90043-000
	90042-000		TL-27W	90042-000
17	90040-000	MOUNTING SCREWS SET OF 6	TL-27P TL-27W	69781-000
18	90075-000	HINGE PIN	TL-27P TL-27W	90075-000
19	90062-000	DOOR ASSEMBLY (REF. NO'S 1, 2, 3, 4, & 5)	TL-27P	90062-000
	90063-000		TL-27W	90063-000
20	92871-000	CHANEL FILLER	TL-27P TL-27W	92871-206
21	92872-000	LENS	TL-27P TL-27W	92872-000