

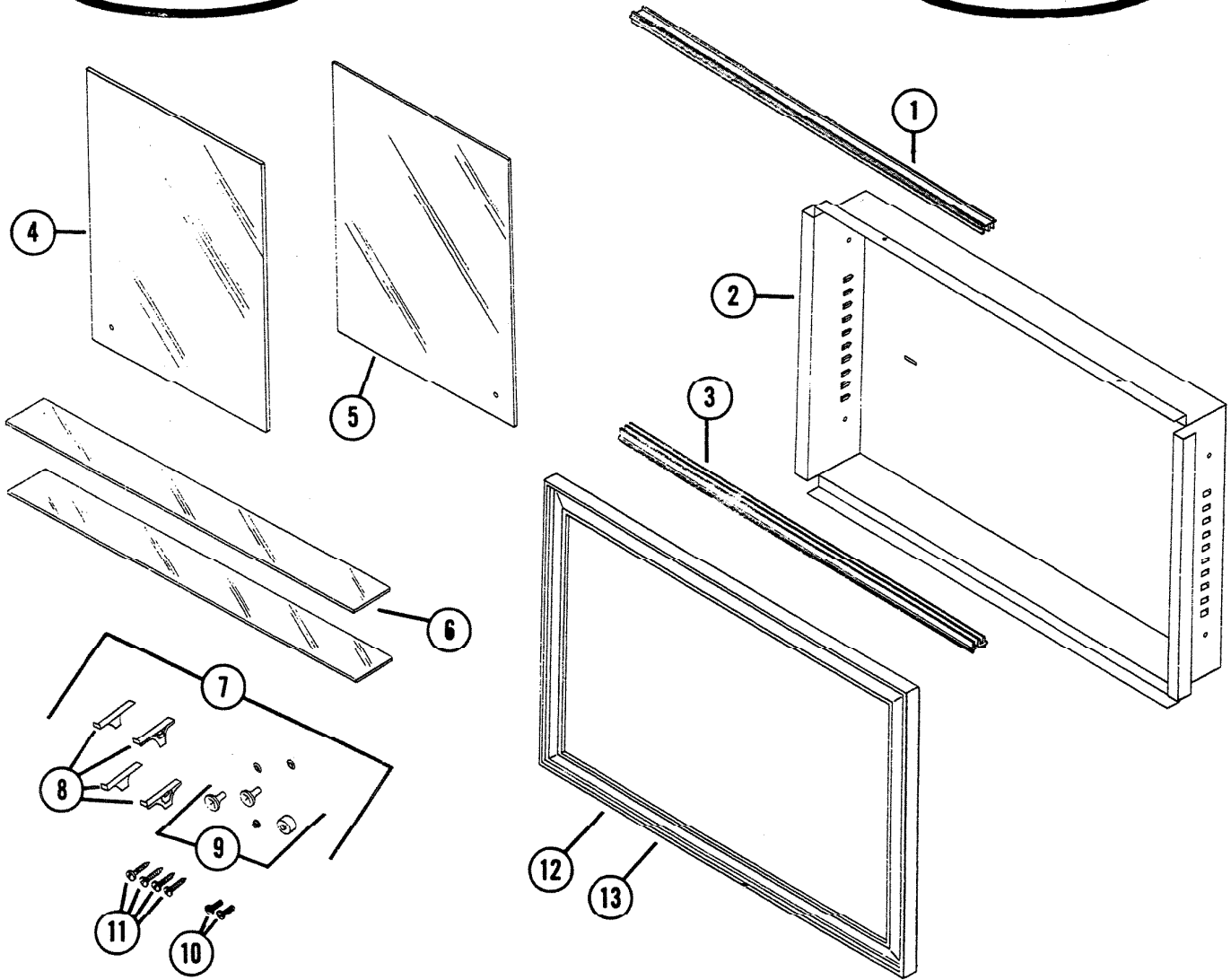
EFFECTIVE DATE

May 1, 1971

NuTone PARTS LIST

MODEL

SW-668 & SA-669
Bathroom Cabinets



REF.	PART NO.	*Part used on other model/s	PART DESCRIPTION
<u>COMMON PARTS</u>			
1	90668		Track Top
2	90665		Body Assy.
3	90669		Track Bottom
4	90675		Mirror Left Hand - Plate
5	90674		Mirror Right Hand - Plate
6	90242		Shelf - 2 required

(PLEASE SEE OTHER SIDE)

Order Parts From: PARTS DEPT. C/O

NuTone
DIVISION

REF.	PART NO.	PART DESCRIPTION
7	90656	Hardware Set
8	90589	* Shelf Support - 4 required
9	90355	* Knob - 2 required
10	90215	* Screw (Knob)
11	90040	* Screw Mounting
12	90670	<div style="text-align: center;"><u>MODEL SW-668</u></div> Frame - Antique Wood-Tone Gold Molding
13	90671	<div style="text-align: center;"><u>MODEL SA-669</u></div> Frame - Brushed White Gold

Order Parts From: PARTS DEPT. C/O

NuTone

DIVISION

Madison and Red Bank Rds., Cincinnati, O. 45227

Printed in the U.S.A.