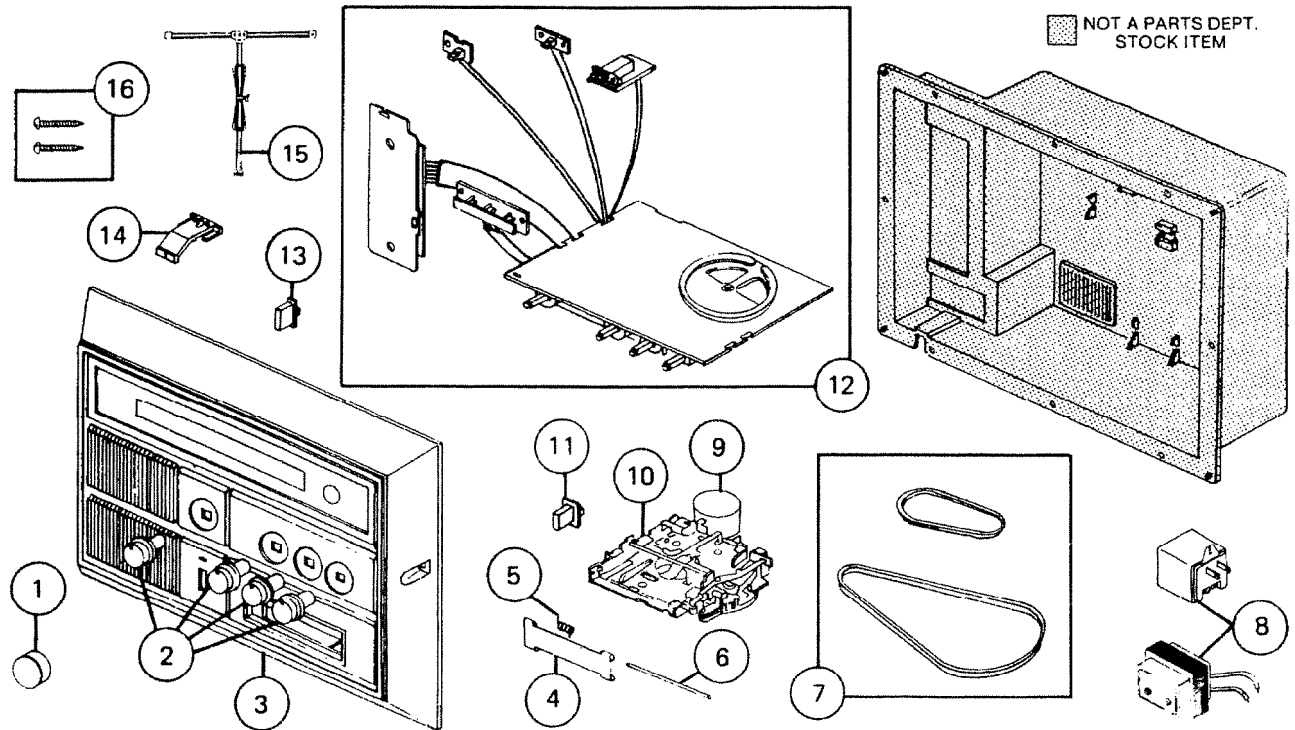


PARTS LIST

EFFECTIVE DATE	MODEL	PRODUCT GROUP
JAN. 1991	ST-1000 REVISED ST-1000WH NEW	ELECTRONICS



REF.	ORIGINAL PART NO.	*PART DESCRIPTION		MODEL USED ON	CURRENT REPLACEMENT PART NO.
1	7603A	TUNING KNOB		ST-1000	7603A-000
	9794A			ST-1000WH	9794A-000
2	7604A	CONTROL KNOB (1)—4 Required		ST-1000	7604A-000
	9795A			ST-1000WH	9795A-000
3	7602A	FRONT PANEL		ST-1000	7602A-000
	9793A			ST-1000WH	9793A-000
4	8222A	CASSETTE PANEL			8222A-000
5	8224A	CASSETTE PANEL SPRING			8224A-000
6	8225A	CASSETTE PANEL SHAFT		All	8225A-000
7	0565A	BELT SET (2)—Cassette		Models	0565A-000
8	30616	TRANSFORMER 16V. 15W.		Plug-In	30616-000
	33321			Direct Wire	33321-000

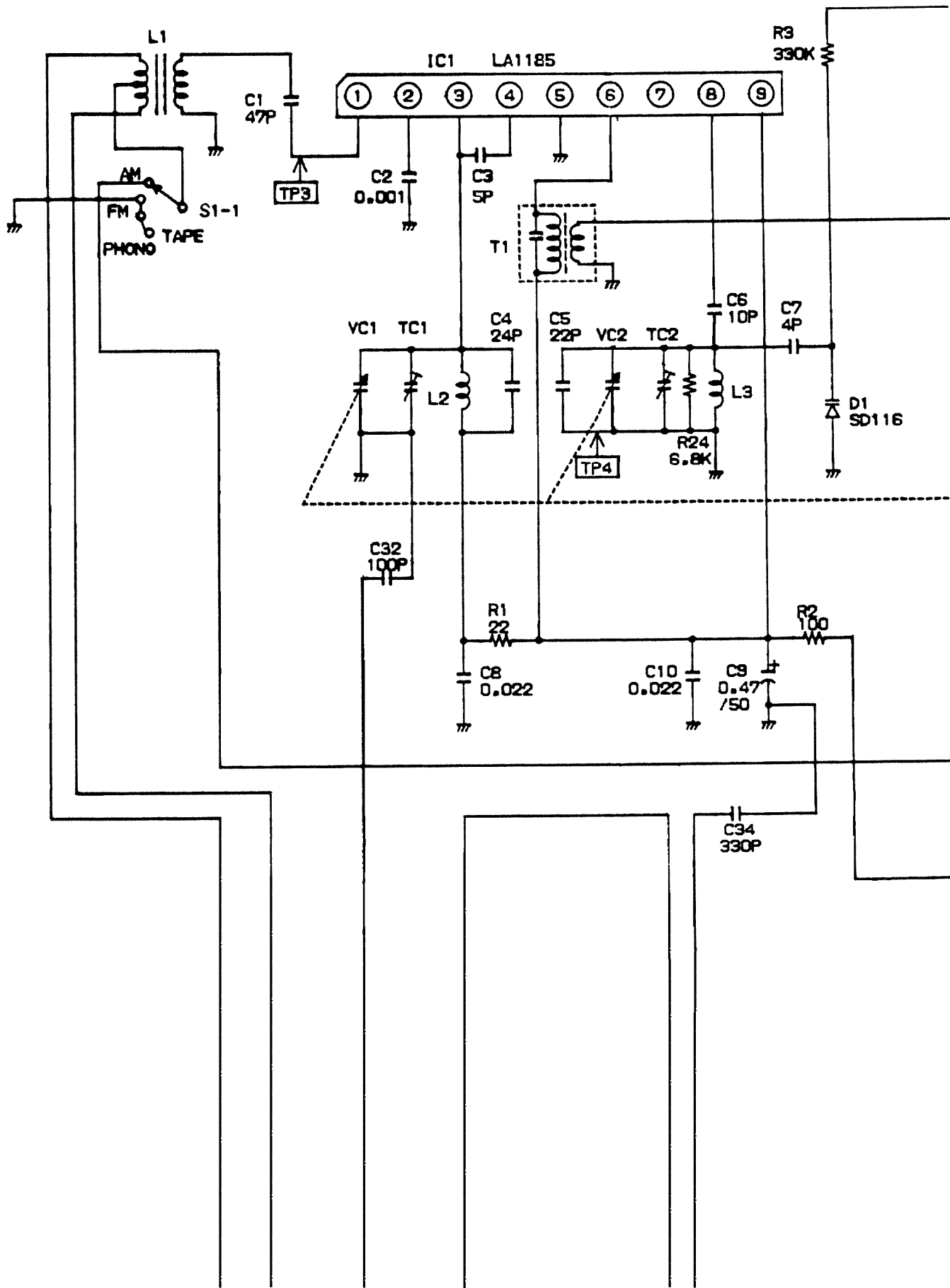
NuTone

↑
NOTE: Always order by current part number.

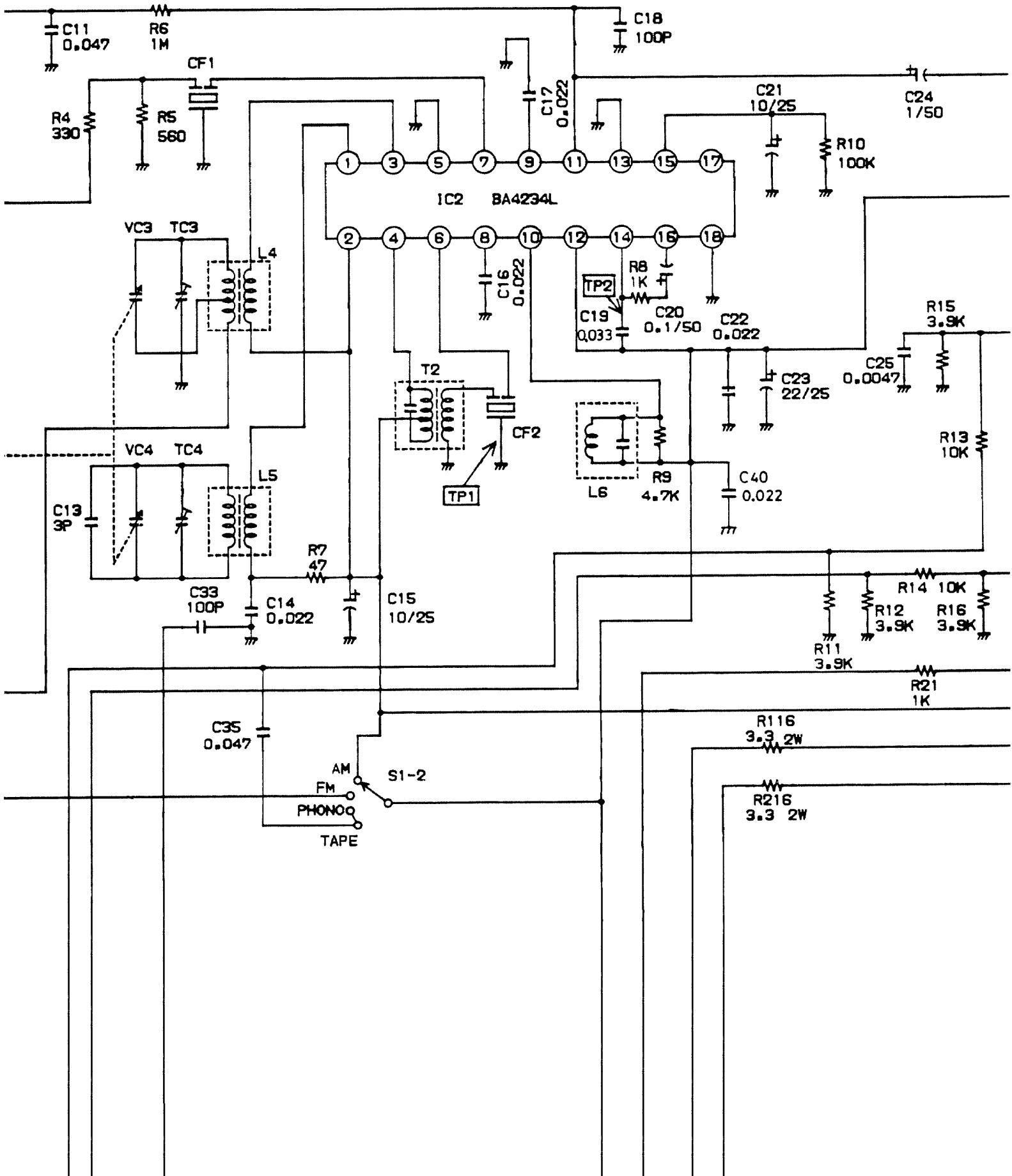
REF.	ORIGINAL PART NO.	*PART DESCRIPTION	MODEL USED ON	CURRENT REPLACEMENT PART NO.
9	8227A	MOTOR—Only	All	8227A-000
10	8244A	CASSETTE ASSEMBLY W/Motor	Models	8244A-000
11	7606A	PUSHBUTTON	ST-1000	7606A-000
	9796A		ST-1000WH	9796A-000
12	8372A	ALL P.C. BOARD'S WIRED COMPLETE		8372A-000
13	7605A	EJECT KNOB	All	7605A-000
14	8223A	DIAL POINTER		Models
15	7608A	ANTENNA ASSEMBLY		7608A-000
16	7619A	HARDWARE BAG—2 #6 x 1½ PH. PAN HD "A"		7619A-000

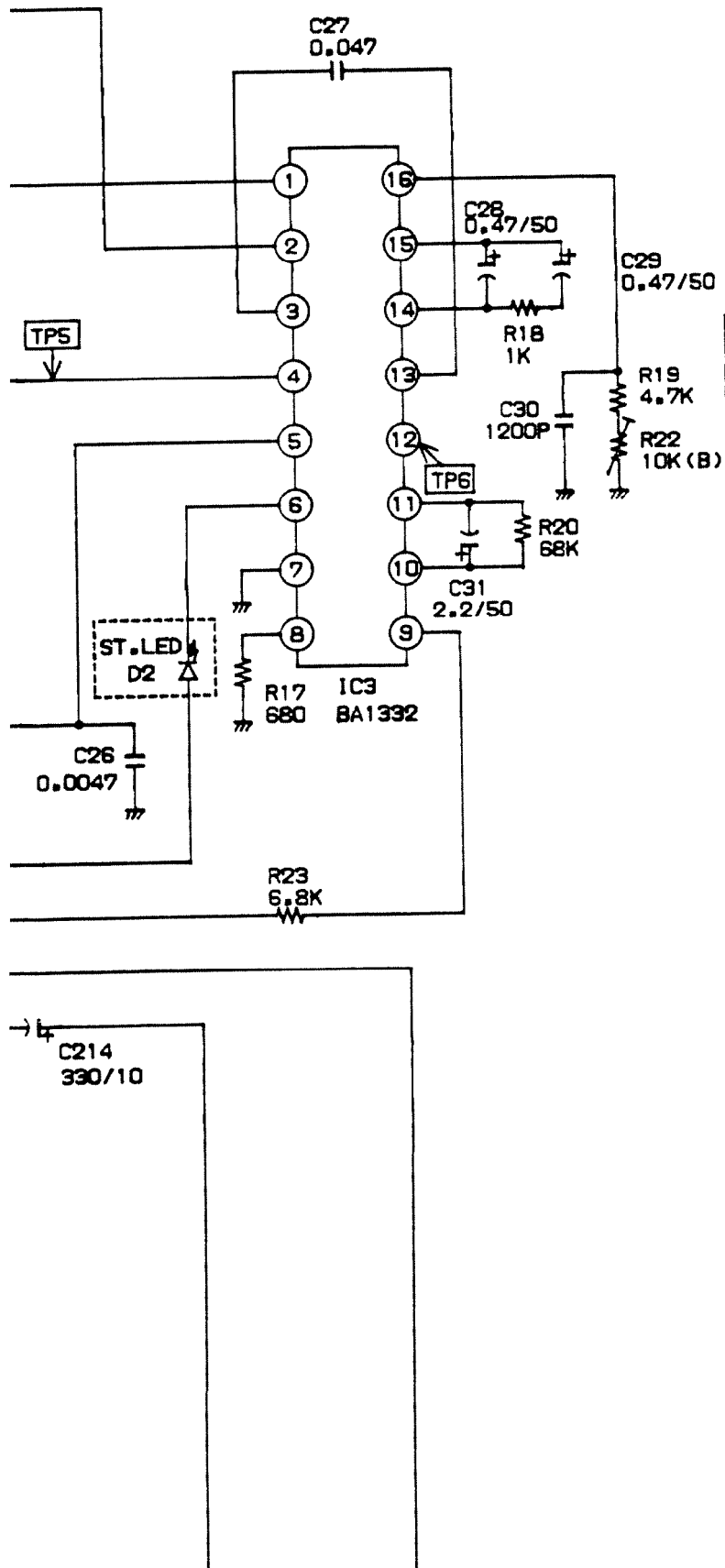
↑

NOTE: Always order by current part number.



SCHEMATIC DIAGRAM

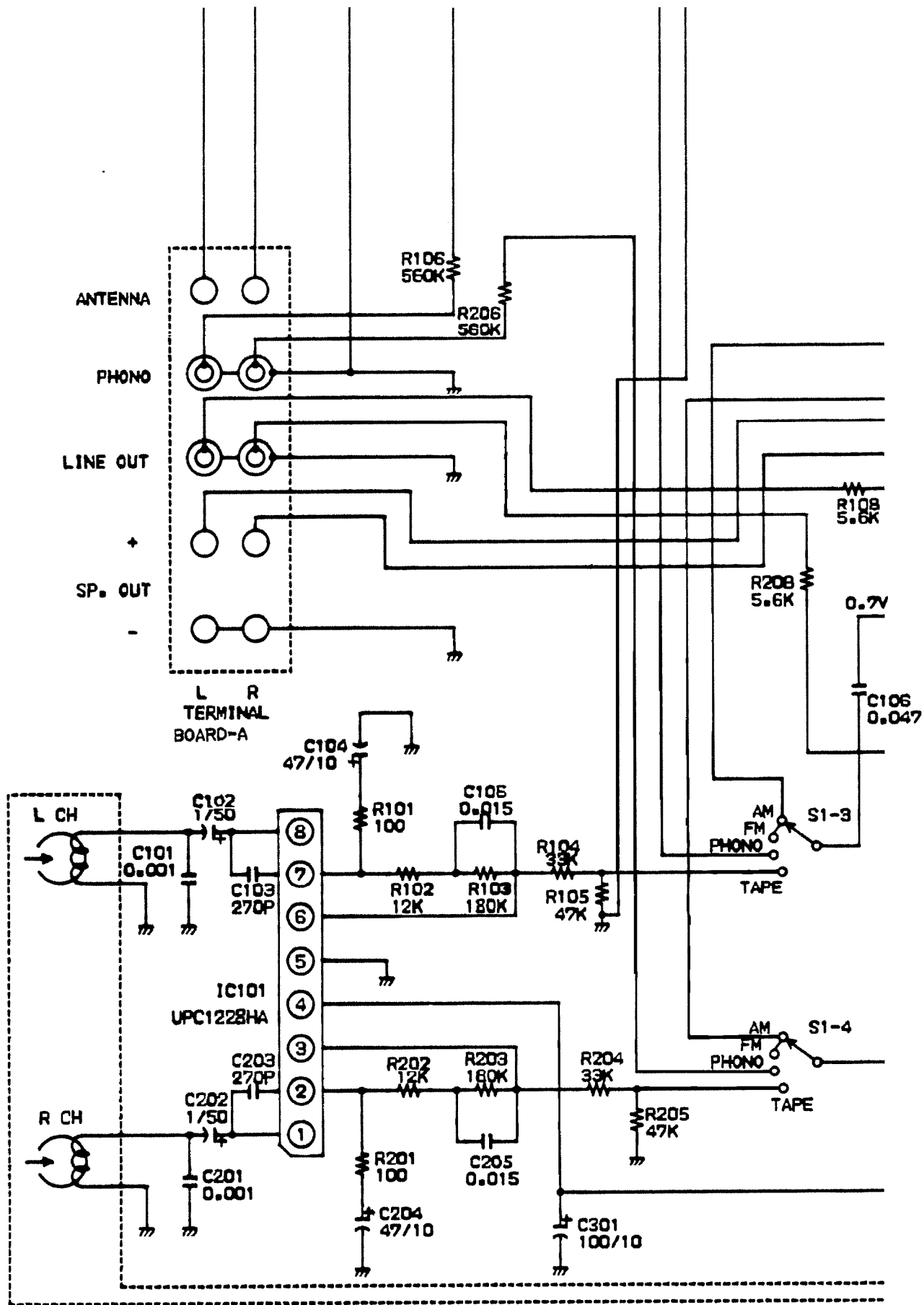


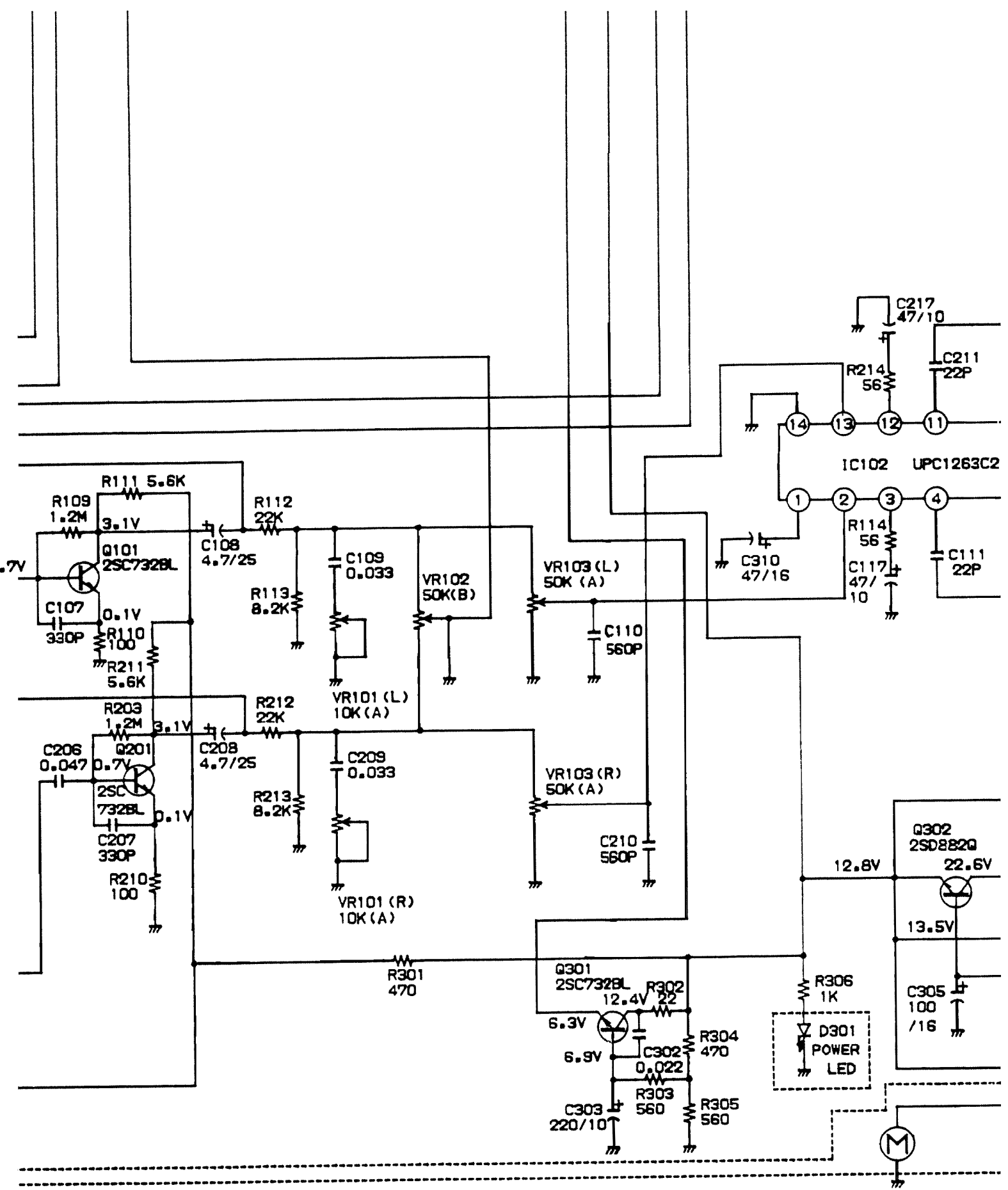


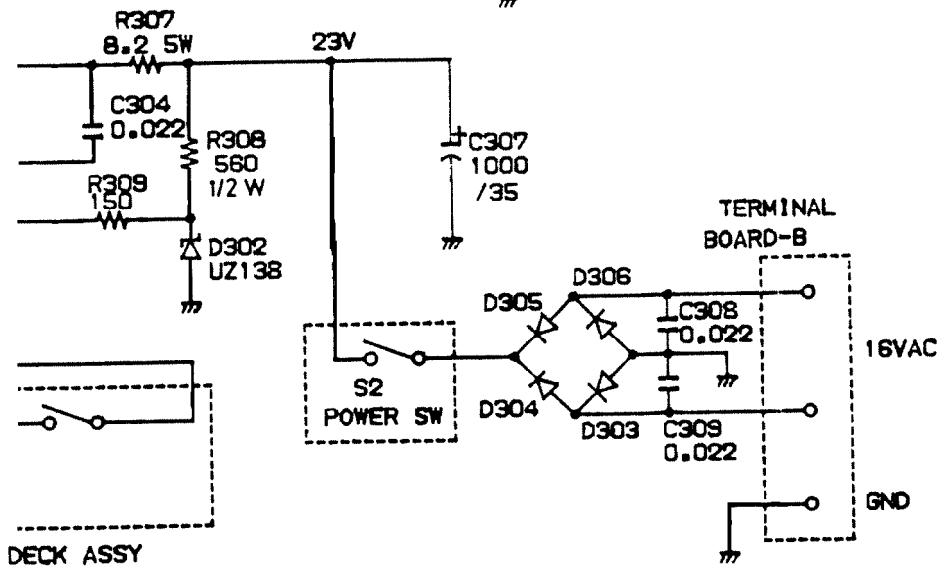
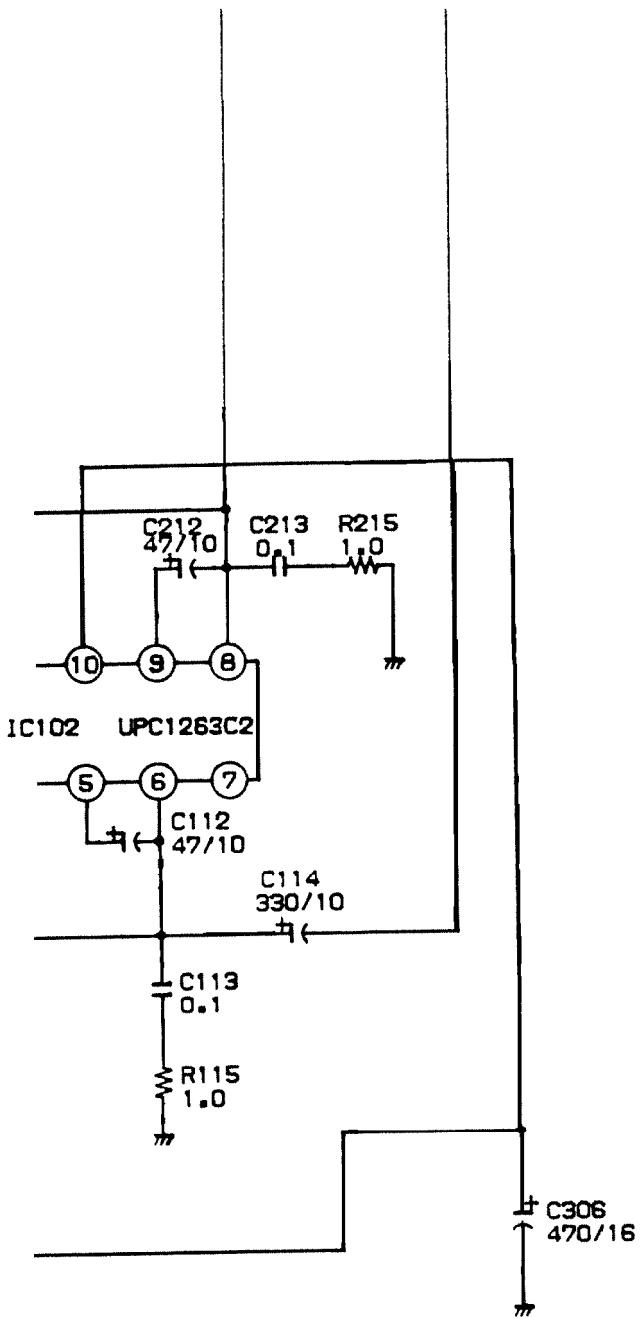
IC VOLTAGE CHART

PIN NO.	IC1		IC2		IC3	IC101	IC102	(FUNCTION)
	FM	FM	AM	FM	FM	TAPE	FM	
1	0.9	0	6.3	6.3	1.3	7.4		
2	1.6	0	6.3	1.6	0.8	0		
3	5.7	0	6.3	1.7	2.6	0.5		
4	1.6	0	6.3	1.7	9.4	0.6		
5	0	0	0	1.7	0	12.7		
6	5.7	5.3	5.3	11.3	2.4	6.5		
7	4.9	5.3	5.3	0	0.8	1.4		
8	5.7	5.3	5.3	0.3	1.3	6.5		
9	5.8	5.3	5.3	0		12.7		
10		6.3	6.3	1.7		12.9		
11		2.1	2.1	1.7		0.6		
12		6.3	6.3	0.9		0.5		
13		0	0	1.7		0		
14		4.7	4.7	1.7		0		
15		0.1	0	1.7				
16		1.4	1.3	0.8				
17		0.3	0.3					
18		0	0					

(UNIT V)







NUTONE MODEL NO. ST-1000
ST-1000PK

FUNAI MODEL NO. X3120U9
X3121U1