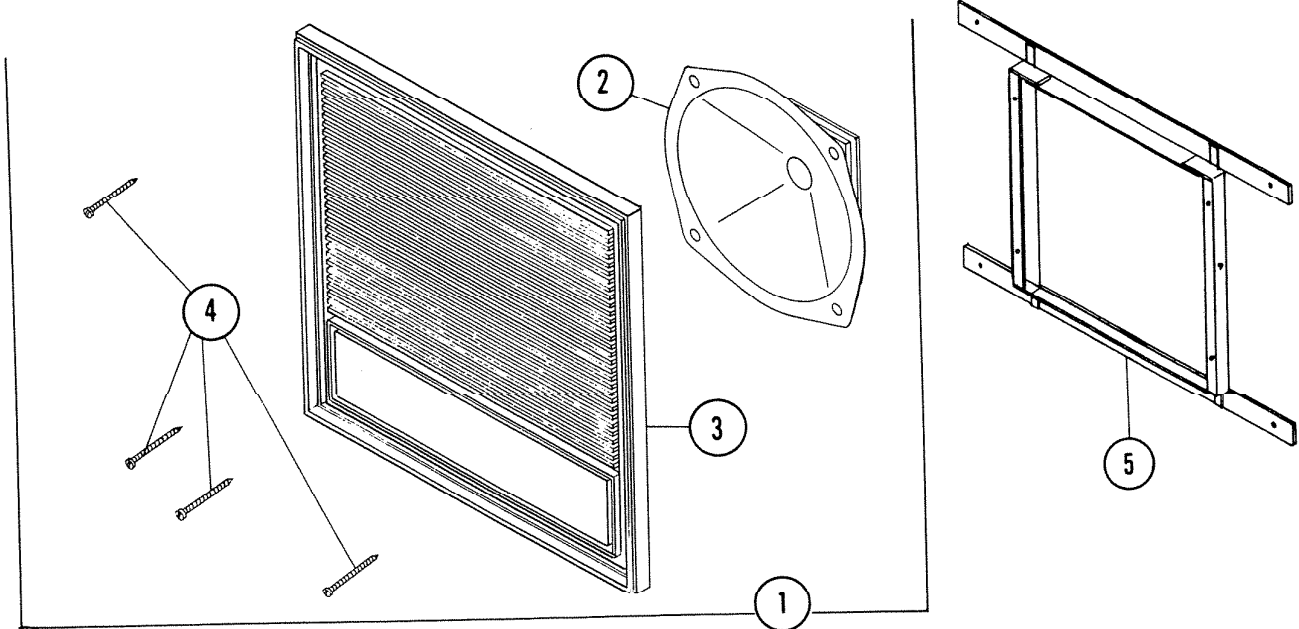


PARTS LIST

EFFECTIVE DATE	MODEL	PRODUCT GROUP
JANUARY 1977	SS-48	ELECTRONICS



REF.	ORIGINAL PART NO	PART DESCRIPTION	MODEL USED ON	CURRENT REPLACEMENT PART NO
1	15185-900	Speaker Comp.	SS-48	15185-900
2	36089	Speaker 8" 25 OHM	SS-48	36089-000
3	38821	Speaker Panel Only	SS-48	38821-000
4	41622	Envelope Assy. (Mtg. Screws)	SS-48	41622-000
5	13128-900	Rough in Frame ("A" Unit)	IR-8	13128-900

NuTone Division
Scovill

Order Parts From:
 Parts Department c/o NuTone
 P.O. Box 27 • Cincinnati, Ohio 45227

NOTE: Always order by current part number
 C. P. SS-48 ELECTRONICS