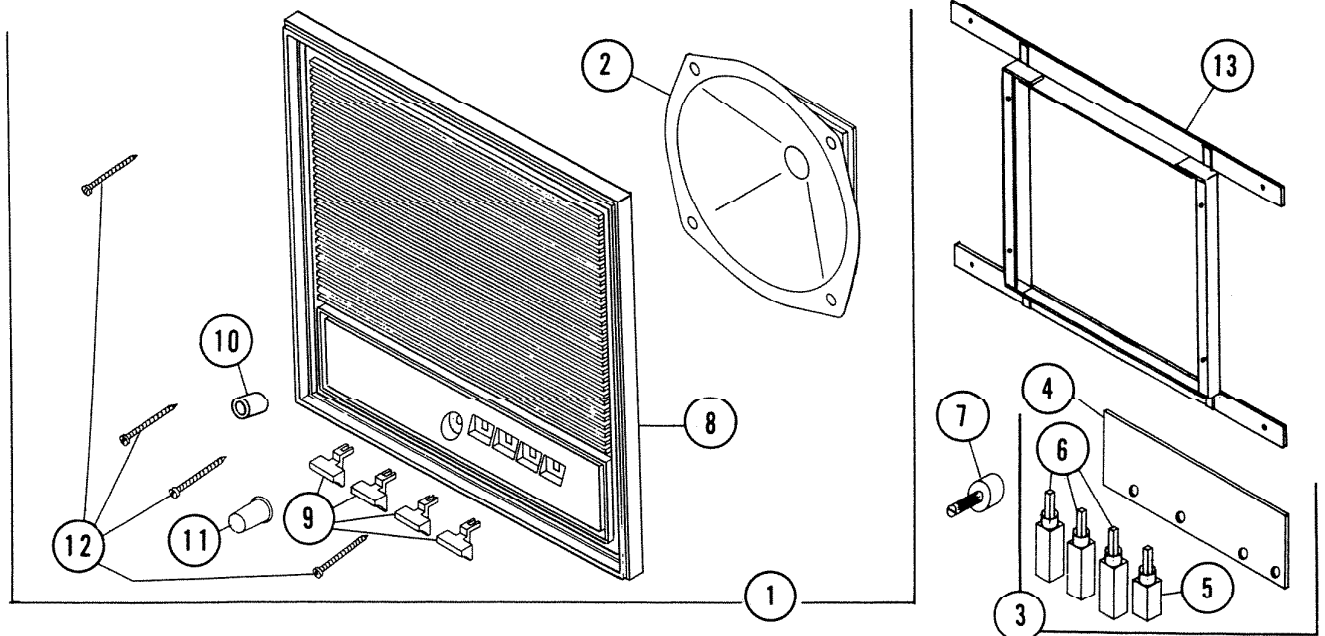


PARTS LIST

EFFECTIVE DATE	MODEL	PRODUCT GROUP
JANUARY 1977	SS-48C	ELECTRONICS



REF.	ORIGINAL PART NO	* PART DESCRIPTION	MODEL USED ON	CURRENT REPLACEMENT PART NO
1	15188-900	Speaker Comp.	SS-48C	15188-900
2	36089	Speaker 8" 25 OHMs	SS-48C	36089-000
3	41994	P. C. Board Assy.	SS-48C	41994-000
4	37669	P. C. Board Only	SS-48C	37669-000
5	34637	Push Switch	SS-48C	34637-000
6	34636	Push Switch (1) 3-Required	SS-48C	34636-000
7	34075	Potentiometer	SS-48C	34075-000
8	38822	Panel Only	SS-48C	38822-000
9	38729	Operating Arm (1) 4-Required	SS-48C	38729-000
10	39607	Outside Knob	SS-48C	39607-000
11	39608	Inside Knob	SS-48C	39608-000
12	41622	Envelope Assy. (Mtg. Screws)	SS-48C	41622-000
13	13128-900	Rough in Frame ("A" Unit)	IR-8	13128-900

NuTone Division
Scovill

Order Parts From:
Parts Department c/o NuTone
P.O. Box 27 • Cincinnati, Ohio 45227

NOTE: Always order by current part number.