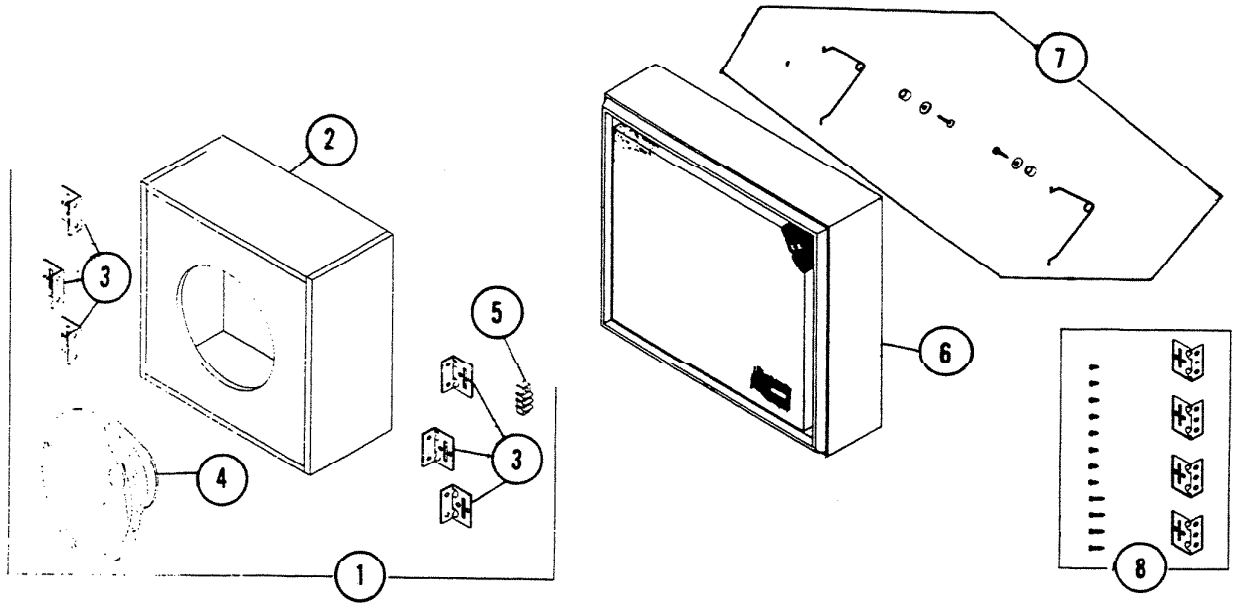


# PARTS LIST

EFFECTIVE DATE	MODEL	PRODUCT GROUP
APRIL 1978	SS-40 NEW	ELECTRONICS



REF.	ORIGINAL PART NO	* PART DESCRIPTION	MODEL USED IN	CURRENT REPLACEMENT PART NO
1	42074	Speaker Box Assy.	SS-40	42236-000
2	38843	Speaker Box Only	SS-40	38843-000
3	38839	Bracket (1) 6-Required	SS-40	38839-000
4	36106	Speaker	SS-40	36106-000
5	39656	Terminal Strip	SS-40	39656-000
6	42076	Sleeve Assy.	SS-40	42076-000
7	1418A	Spring Clip Set	SS-40	1418A-000
8	42077	Envelope Assy. (Mtg. Hdwe.)	SS-40	42077-000

NuTone

PRINTED IN U S A

NOTE. Always order by current part number.

C. P. SS-40 ELECTRONICS