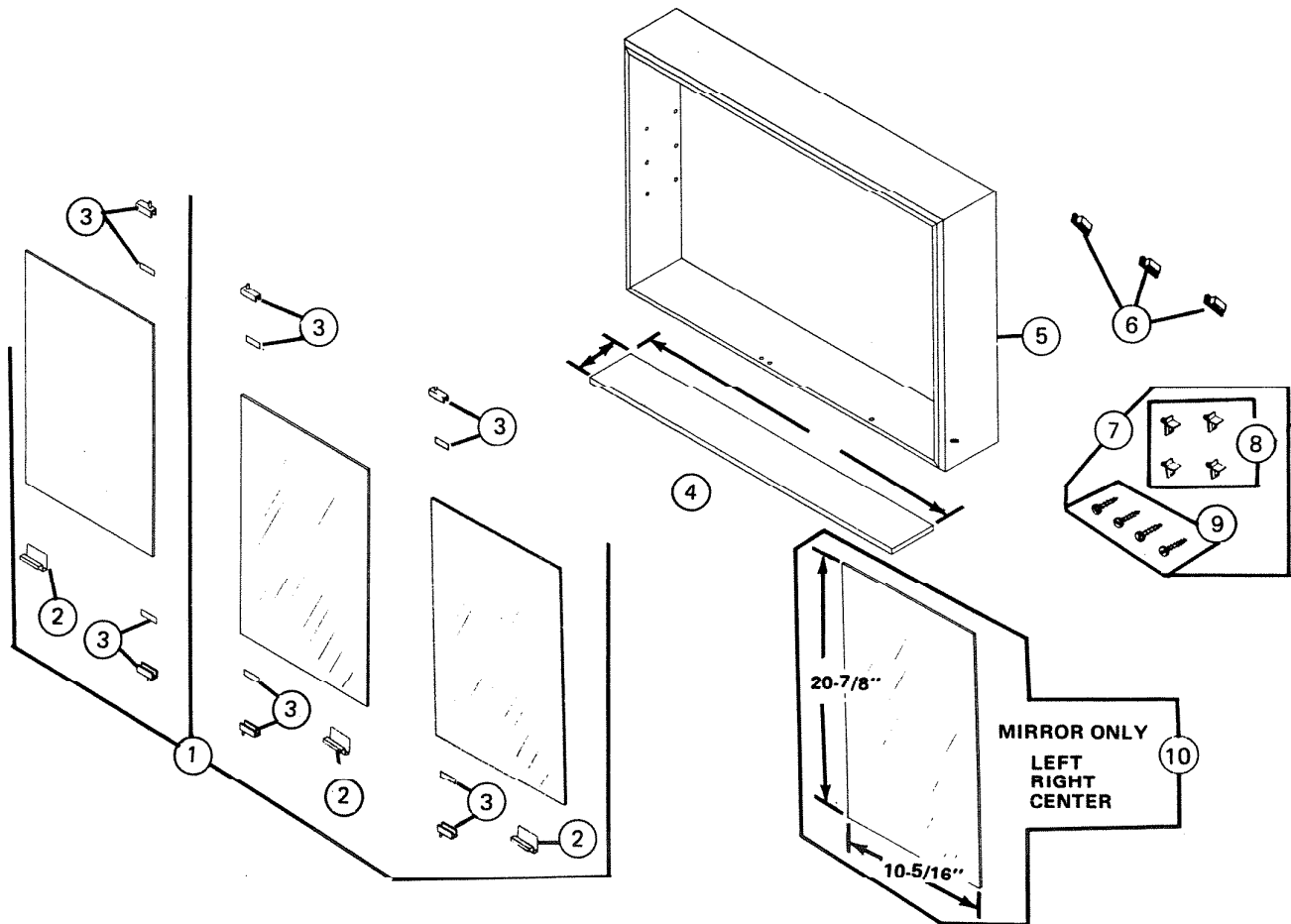


PARTS LIST

EFFECTIVE DATE	MODEL	PRODUCT GROUP
MARCH 1984	SM-1033 HO/WAL NEW	BATH CABINET



REF.	ORIGINAL PART NO.	* PART DESCRIPTION	MODEL USED ON	CURRENT REPLACEMENT PART NO.	
1	96180	MIRROR ASSEMBLY	L.H.	96180-000	
	96181		R.H.	96181-000	
2	96178	PULL ASSY W/TAPE	SM-1033 HO/WAL	96178-000	
3	96175	PIVOT HINGE COMPLETE (1)	T O P R.H.	96175-000	
	96174		L.H.	96174-000	
	96174		B O T T O M R.H.	SM-1033 HO/WAL	96174-000
	96175		L.H.	96175-000	

NuTone

(PLEASE SEE OTHER SIDE)

NOTE: Always order by current part number.

REF.	ORIGINAL PART NO	PART DESCRIPTION	MODEL USED ON	CURRENT REPLACEMENT PART NO
4	96206	SHELF (WOOD) 4 1/4 x 31 1/4	SM-1033 HO/WAL	96206-A05
5	96246	FRAME	SM-1033HO	96246-000
	96247		SM-1033WAL	96247-000
6	96176	CATCH - MAGNETIC (1)	SM-1033 HO/WAL	96176-000
7	96207	HARDWARE BAG ASSEMBLY	SM-1033 HO/WAL	96207-000
8	55834	SHELF SUPPORT SET (4)	SM-1033 HO/WAL	55834-000
9	69781	MOUNTING SCREWS	SM-1033 HO/WAL	69781-000
10	96177	MIRROR ONLY 3/16 x 10 5/16 x 20 7/8	SM-1033 HO/WAL	96177-000