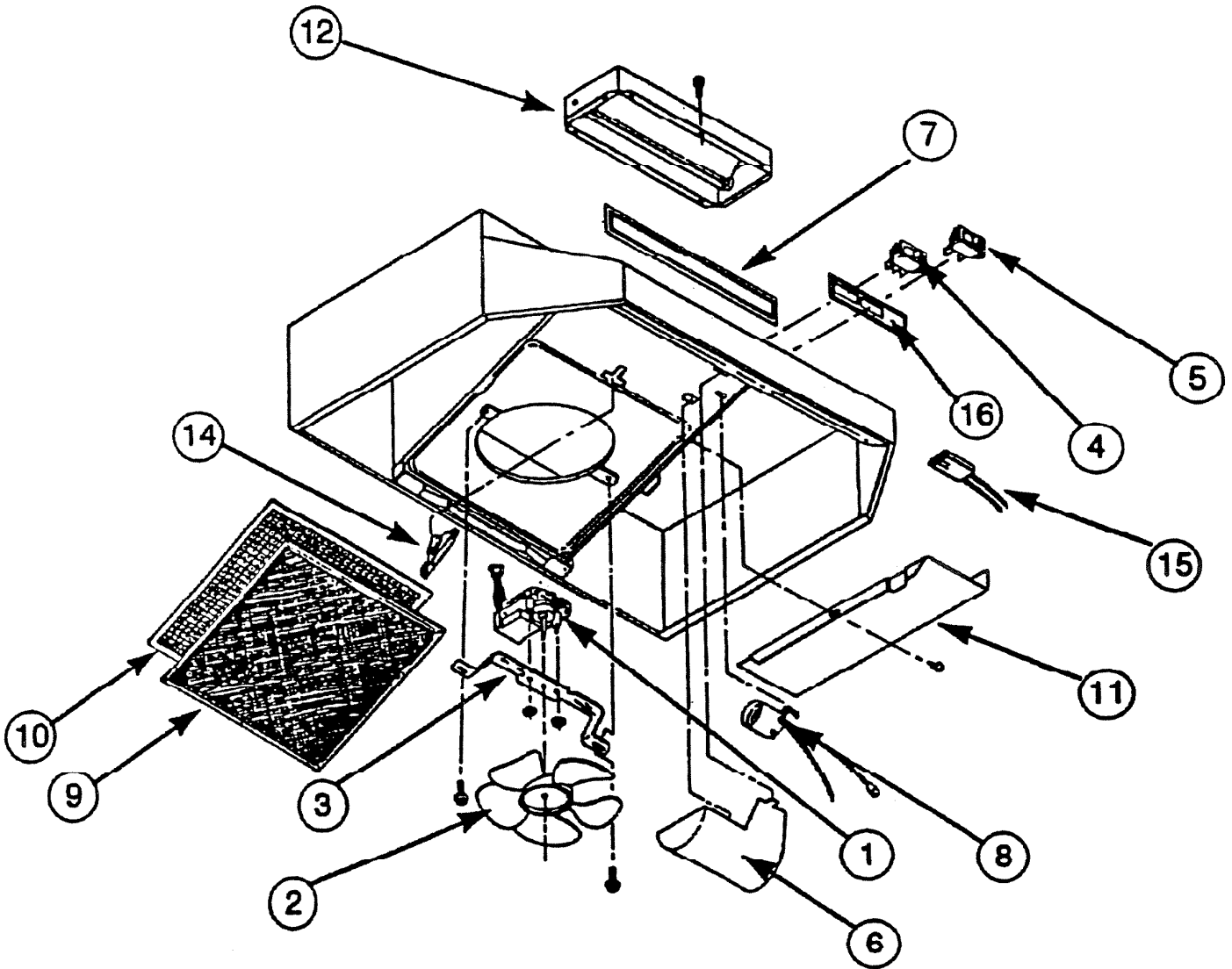


# PARTS LIST

EFFECTIVE DATE	MODEL NUMBER	PRODUCT GROUP
APRIL 2001	SL6200	RANGE HOODS



There are (4) versions of range hoods carrying the SL6200 designation. In order of production they are:

- 1.) SL6200 'Old' style (no letter suffix) original version manufactured by NuTone in Coppell, Texas.
- 2.) SL6200H Second version manufactured by Broan in Hartford Wisconsin.
- 3.) SL6200A Third version manufactured by Broan-NuTone in Mississauga, Ontario, Canada.
- 4.) SL6200R Fourth version manufactured by RangeAire in Cleburne, Texas.

PARTS REF	PRODUCTION FACILITY	NuTone Coppell, TX	NuTone CANADA	BROAN Hartford, WI	RANGEAIRE Cleburne, TX
	MODEL-SERIES NUMBER	SL6200	SL6200A	SL6200H	SL6200R
1	MOTOR	K7527-000	K7527-000	S99080531	
2	FAN BLADE ASSEMBLY	K4417-000	K4417-000	99020272	
*	MOTOR/BLADE ASSEMBLY				R730088
3	MOTOR BRACKET ASSEMBLY	K4421-000	K4421-000	98005568	
4	FAN SWITCH (BLACK)	K1346-000	K1346-000	99030172	R561127
4	FAN SWITCH (WHITE)	K4734-000	K4734-000	99030248	R561131
5	LIGHT SWITCH (BLACK)	K1347-000	K1347-000	S99030171	R561126
5	LIGHT SWITCH (WHITE)	K4735-000	K4735-000	99030247	R561130
6	LIGHT DIFFUSER (LENS)	K4424-000	K4424-000	99110437	R401587
*	GRILLE (ALMOND)		(SEE NOTE)		
*	GRILLE (BLACK)	K7182-000	K7182-000		
*	GRILLE (WHITE)	K7181-000	K7181-000		
7	BAFFLE/VENT COVER (ALMOND)		(SEE NOTE)		R401585
7	BAFFLE/VENT COVER (BISCUIT)				R401586
7	BAFFLE/VENT COVER (BLACK)	K7189-000	K7189-000	99091022	R401583
7	BAFFLE/VENT COVER (WHITE)	K7188-000	K7188-000	99091020	R401584
8	LAMP SOCKET ASSEMBLY	K6600-000	K6600-000	97010966	R566088
9	DUCTLESS FILTER	K5509-000	K5509-000	97007696	R610050
*	FILTER PADS				R610051
10	ALUMINUM FILTER	K6388-000	K6388-000	97006931	R610045
11	ELECTRICAL COVER PLATE	K4423-000	K4423-000	98006621	
11	WIRING COVER (ALMOND)				R6689602
11	WIRING COVER (BISCUIT)				R6689605
11	WIRING COVER (BLACK)				R6689604
11	WIRING COVER (WHITE)				R6689601
12	3.25" BY 10.0" DUCT COLLAR	K1893-000	K1893-000	97005544	R740014
13	7" TRANSITION	K4892-000	K4892-000	R680508	R680508
14	WHITE PLASTIC FILTER RETAINER			99420472	
15	PLUG RECEPTACLE			S97005678	
16	NAMEPLATE (ALMOND)				R627571
16	NAMEPLATE (BLACK)	K6675-000	K6675-000	NTK7592	R627570
16	NAMEPLATE (WHITE)	K6674-000	K6674-000	NTK7615	R627569
*	HARDWARE SCREW PACK	K4894-000	K4894-000		R112036

**NOTE:** There does exist versions of SL6200A with almond grille and baffles. They must be replaced with black!