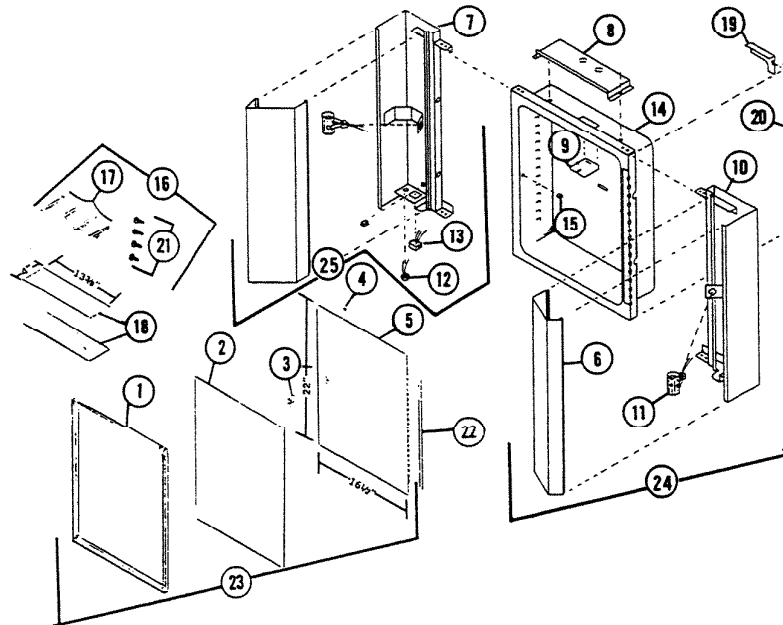


PARTS LIST

MODEL	SL-27P SL-27W BATH CABINET
EFFECTIVE DATE	REVISED MARCH 11, 1975



REF.	ORIGINAL PART NO.	* PART DESCRIPTION	MODEL USED ON	CURRENT REPLACEMENT PART NO.
1	90085-000	FRAME	SL-27P SL-27W	90085-000
2	90070-000	MIRROR PLATE WINDOW	SL-27P	90070-000
	90071-000		SL-27W	90071-000
3	90067-000	CATCH — DOOR	SL-27P SL-27W	90067-000
4	90069-000	BUMPER (ONE) 2 REQUIRED	SL-27P SL-27W	90069-000
5	92631-000	DOOR BACK	SL-27P SL-27W	92631-206
6	92658-000	LENS L.H. or R.H.	SL-27P SL-27W	92658-000
7	92648-000	LIGHT CELL ASSY. L.H.	SL-27P SL-27W	92648-206
8	93152-000	JUNCTION BOX	SL-27P SL-27W	93152-000
9	17379-000	JUNCTION BOX COVER	SL-27P SL-27W	17379-206
10	92647-000	LIGHT CELL ASSY. R.H.	SL-27P SL-27W	92647-206
11	92654-000	LIGHT SOCKET	SL-27P SL-27W	92654-000
12	92655-000	SWITCH	SL-27P SL-27W	92655-000
13	92656-000	PLUG RECEPTICLE	SL-27P SL-27W	92656-000
		PLEASE SEE OTHER SIDE		

NuTone Division

Order Parts From:
Parts Department c/o NuTone
P.O. Box 27 • Cincinnati, Ohio 45227

NOTE: Always order by
current part number.

REF.	ORIGINAL PART NO.	* PART DESCRIPTION	MODEL USED ON	CURRENT REPLACEMENT PART NO.
14	92643-000	BODY ASSEMBLY	SL-27P SL-27W	92643-206
15	90555-000	CATCH BULLET	SL-27P SL-27W	90555-000
16	90076-000	HARDWARE ASSEMBLY	SL-27P SL-27W	90076-000
17	90039-000	SHELF SUPPORT (ONE) 4 REQUIRED	SL-27P SL-27W	90039-000
18	90043-000	SHELF ONE SET OF 2	SL-27P	90043-000
	90042-000		SL-27W	90042-000
19	93150-000	WIRE COVER R.H. L.H.	SL-27P	93150-000
	93151-000		SL-27W	93151-000
20	92207-000	WIRE COVER SIDE L.H. or R.H.	SL-27P SL-27W	92207-000
21	90040-000	MOUNTING SCREW SET OF 6	SL-27P SL-27W	69781-000
22	90075-000	HINGE PIN	SL-27P SL-27W	90075-000
23	69377-000	DOOR ASSEMBLY (REF. NO'S 1, 2, 3, 4 & 5)	SL-27P	69377-000
	69378-000		SL-27W	69378-000
24	69798	LIGHT FIXTURE COMP R.H.	SL-27P SL-27W	69798-000
25	69799	LIGHT FIXTURE COMP L.H.	SL-27P SL-27W	69799-000