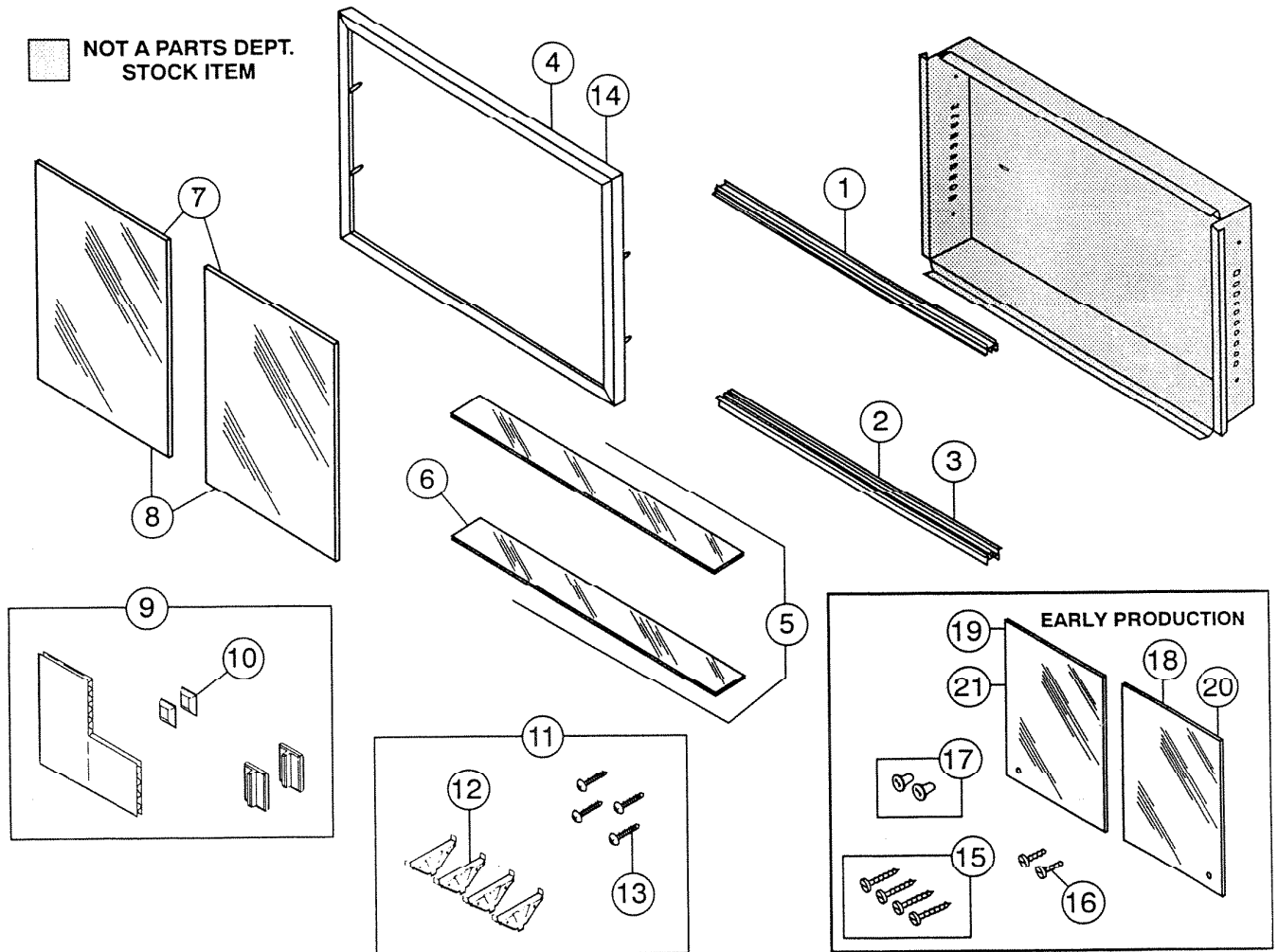


NuTone PARTS LIST

EFFECTIVE DATE	MODEL NUMBER	PRODUCT GROUP
JUNE 1993	S-630C REVISED S-630-P REVISED	BATH CABINET

☐ NOT A PARTS DEPT.
STOCK ITEM



REF.	ORIGINAL PART NO.	*PART DESCRIPTION	MODEL USED ON	CURRENT REPLACEMENT PART NO.
1	90232	TRACK - TOP	S-630C S-630-P	90232-000
2	90312	TRACK - BOTTOM	S-630C	90312-000
3	90233	TRACK - BOTTOM	S 630-P	90233-000
4	92435	FRAME ASSEMBLY	S-630C S-630-P	92435-000

NOTE: Always order by
current part number

REF.	ORIGINAL PART NO.	*PART DESCRIPTION		MODEL USED ON	CURRENT REPLACEMENT PART NO.
5	90241	SHELF BUNDLE	Current Production	S-630C S-630-P	90241-000
6	90242	SHELF – 2 required		S-630C S-630-P	90242-000
7	97057	MIRROR – 2 required	Current Production	S-630C	97057-000
8	97056	MIRROR – 2 required	Current Production	S-630-P	97056-000
9	M2019	HARDWARE ASSEMBLY (See note*)	Current Production	S-630C S-630-P	M2019-000
10	M0412	BUMPER – Clear – 2 required	Current Production	S-630C S-630-P	M0412-000
11	97112	HARDWARE ASSEMBLY (See note**)	Current Production	S-630C S-630-P	97112-000
12	90589	SHELF SUPPORT – 4 required	Current Production	S-630C S-630-P	90589-000
13	52842	SCREW #8 x 1¼" PH PAN HD "A"	Current Production	S-630C S-630-P	52842-015
14	90313	FRAME ASSEMBLY	Early Production	S-630C S-630-P	90313-000
15	90040	SCREW for mounting (4)	Early Production	S-630C S-630-P	69781-000
16	90215	SCREW for knob – 2 required	Early Production	S-630C S-630-P	52831-039
17	90214	KNOB (2)	Early Production	S-630C S-630-P	90353-000
18	90314	MIRROR – R.H. heavy sheet	Early Production	S-630C	90314-000
19	90315	MIRROR – L.H. heavy sheet	Early Production	S-630C	90315-000
20	90243	MIRROR – R.H. Plate	Early Production	S-630-P	90243-000
21	90244	MIRROR – L.H. Plate	Early Production	S-630-P	90244-000

***NOTE: Hardware Assembly Contains:**
(1) Door Pull Template
(2) Bumpers – clear
(2) Door Pull Assembly (Door Pulls and double faced tape)

****NOTE: Hardware Assembly Contains:**
(4) Shelf Supports
(4) Screws #8 x 1¼ PH PAN HD "A"

NOTE: Always order by current part number