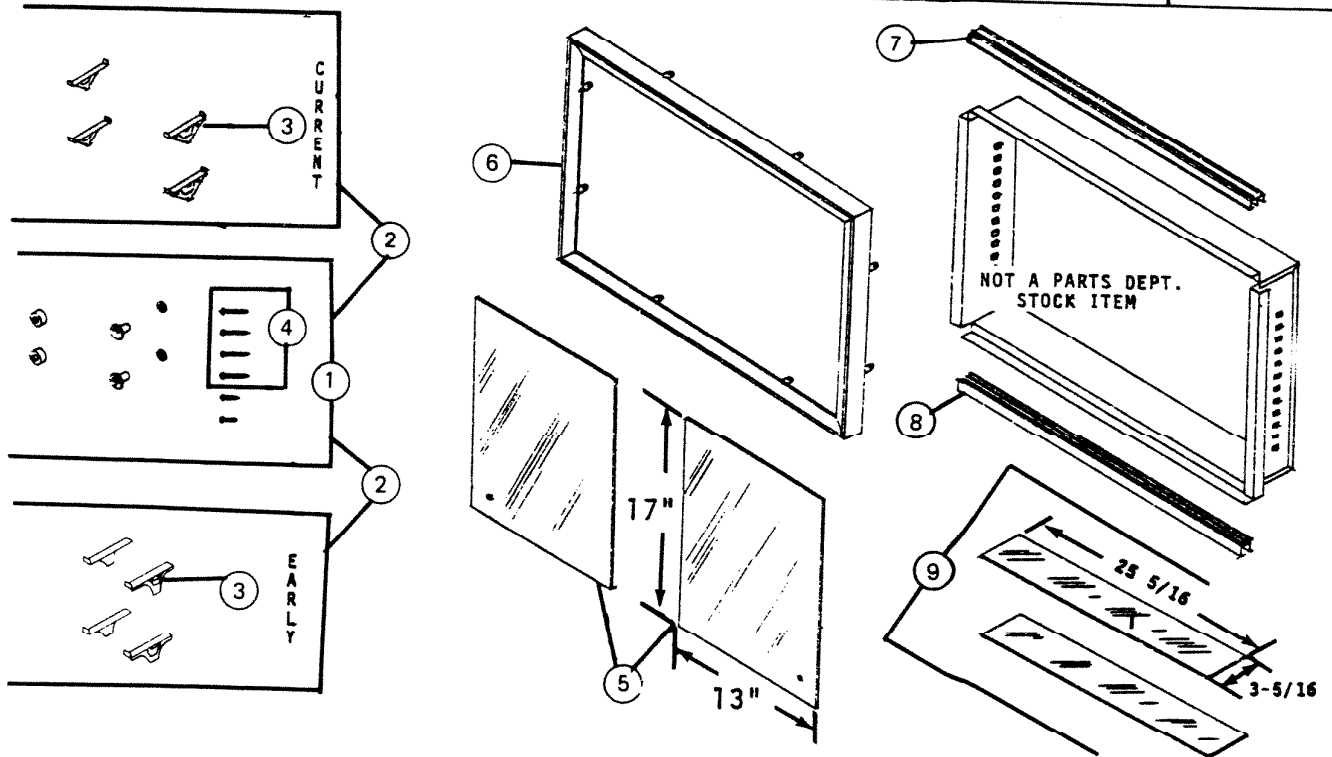


PARTS LIST

| EFFECTIVE DATE | MODEL | PRODUCT GROUP |
|----------------|------------------------|---------------|
| NOV. 1981 | S-607-S-608 REVISED | BATH CABINET |



| REF. | ORIGINAL PART NO. | * PART DESCRIPTION | MODEL USED ON | CURRENT REPLACEMENT PART NO. | |
|------|-------------------|---------------------|------------------------|--|-----------|
| 1 | 90353 | KNOB SET | S-607 S-608 | 90353-000 | |
| 2 | 90211 | HARDWARE SET | EARLY PRODUCTION | 90211-000 | |
| | 92464 | | CURRENT | 92464-000 | |
| 3 | 90212 | SHELF SUPPORT (ONE) | R. H. EARLY PRODUCTION | 90212-000 | |
| | 90213 | | L. H. EARLY PRODUCTION | 90213-000 | |
| | 90589 | | CURRENT | 90589-000 | |
| 4 | 69781 | MTG. SCREWS SET (6) | S-607 S-608 | 69781-000 | |
| 5 | — | MIRROR | R / H | PURCHASE LOCAL GLASS SHOP 3/16 x 13" x 17" | — |
| | 90302 | | | 1/4 x 13 x 17 CURRENT | 90302-000 |
| | — | | L / H | PURCHASE LOCAL GLASS SHOP 3/16 x 13 x 17 | — |
| | 90303 | | | 1/4 x 13 x 17 CURRENT | 90303-000 |

NuTone

PRINTED IN U.S.A.

NOTE: Always order by current part number.

PL-S-607-S-608 REV. 6/81

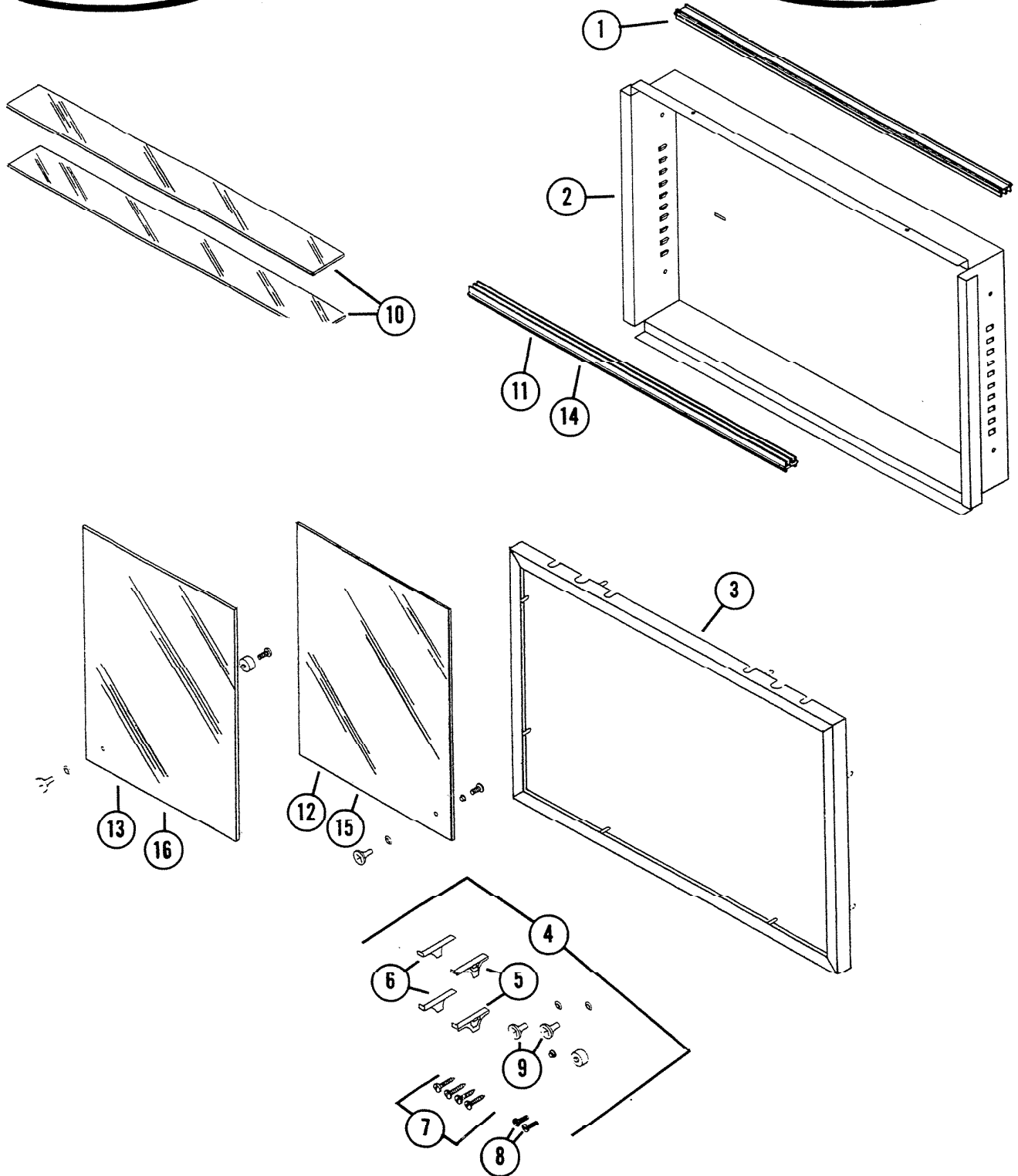
| REF | ORIGINAL PART NO | * PART DESCRIPTION | | MODEL USED ON | CURRENT REPLACEMENT PART NO |
|-----|------------------|------------------------|---------------------|----------------|-----------------------------|
| 6 | 90296 | FRAME ASSY. | | S-607 | VOID NOT AVAILABLE |
| | 92419 | | | S-608 | 92419-000 |
| 7 | 90293 | TRACK-TOP | | S-607 S-608 | 90293-000 |
| 8 | 90294 | TRACK BOTTOM | EARLY PRODUCTION | S-607 | 90294-000 |
| | 90295 | | CURRENT | S-608 | 90295-000 |
| 9 | 90298 | SHELF 3 5/16 X 25 5/16 | SET OF 2 | S-607 | 90298-000 |
| | 90299 | | ONE | S-608 | 90299-000 |

EFFECTIVE DATE

May 1, 1971

NuTone PARTS LIST

MODEL
S-607 - S-608
Bathroom Cabinets



PLEASE SEE OTHER SIDE

Order Parts From: PARTS DEPT. C/O

NuTone

DIVISION

Madison and Red Bank Rds., Cincinnati, O. 45227

| REF. | PART NO. | *Part used on other model/s | PART DESCRIPTION |
|------|----------|-----------------------------|------------------------------------|
| | | | <u>COMMON PARTS</u> |
| 1 | 90293 | | Track Top |
| 2 | 90289 | | Body Assy. |
| 3 | 90296 | | Frame Assy. |
| 4 | 90211 | * | Hardware Set |
| 5 | 90212 | * | Support R. H. (Shelf - 2 required) |
| 6 | 90213 | * | Support L. H. (Shelf - 2 required) |
| 7 | 90040 | * | Screw Mounting (4 required) |
| 8 | 90215 | * | Screw (for knob - 2 required) |
| 9 | 90214 | * | Knob (2 required) |
| 10 | 90299 | * | Shelf (2 required) |
| | | | <u>MODEL S-607</u> |
| 11 | 90294 | | Track Bottom |
| 12 | 90300 | | Mirror R. H. - Heavy Sheet |
| 13 | 90301 | | Mirror L. H. - Heavy Sheet |
| | | | <u>MODEL S-608</u> |
| 14 | 90295 | | Track Bottom |
| 15 | 90302 | | Mirror R. H. - Plate |
| 16 | 90303 | | Mirror L. H. - Plate |

Order Parts From: PARTS DEPT. C/O

NuTone

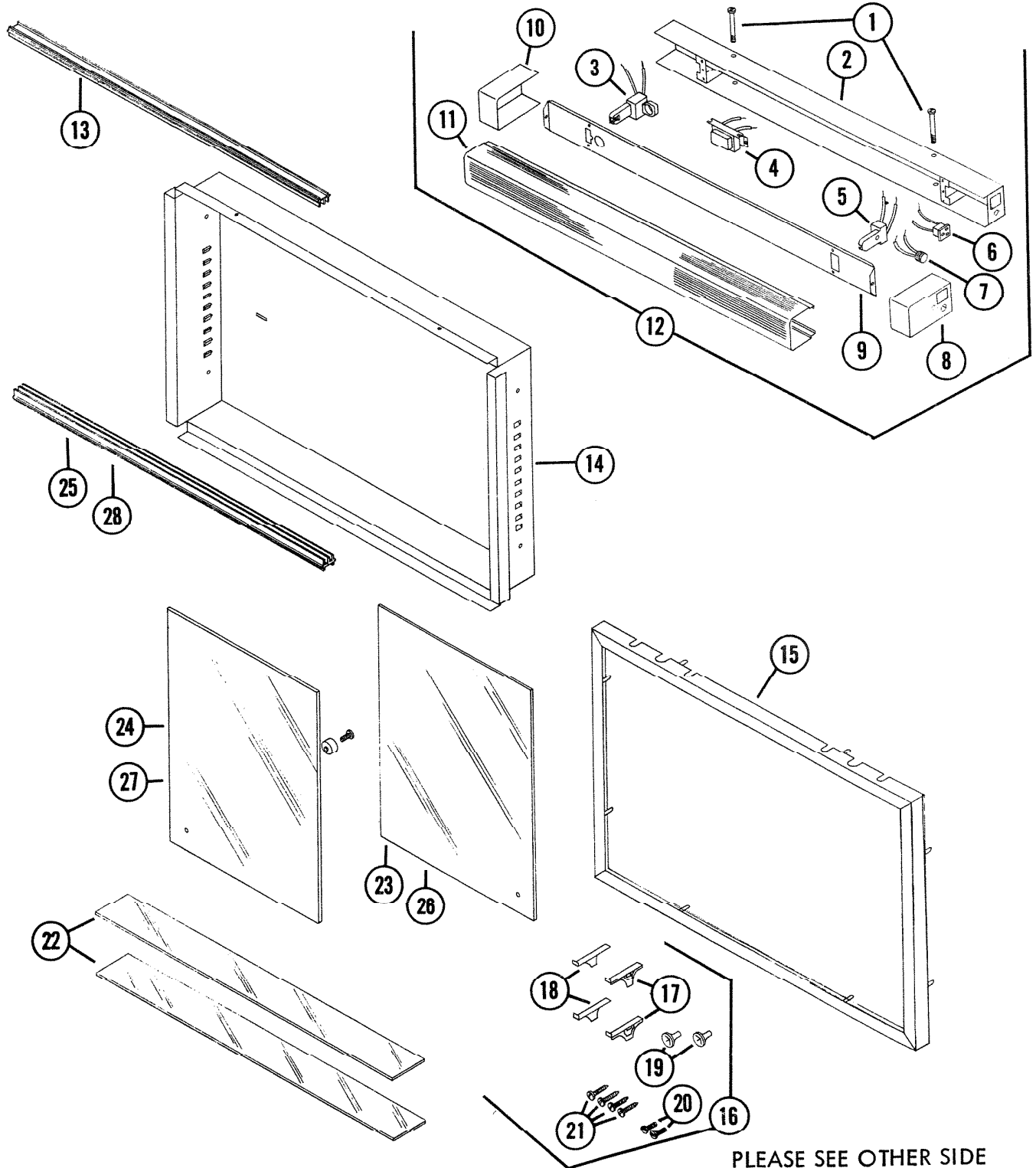
DIVISION

Madison and Red Bank Rds., Cincinnati, O. 45227

EFFECTIVE DATE
May 1, 1971

NuTone PARTS LIST

MODEL
TL-607 - TL-608
Bathroom Cabinets



PLEASE SEE OTHER SIDE

Order Parts From: PARTS DEPT. C/O

NuTone

DIVISION

Madison and Red Bank Bldg. Cincinnati, O. 45227

| REF. | PART NO. | *Part used on other model/s | PART DESCRIPTION |
|------|----------|-----------------------------|---|
| | | | <u>COMMON PARTS</u> |
| 1 | 90190 | * | Screw Bolt #8 - 32 x 2 13/16 (2 required) |
| 2 | 90325 | | Body Assy. (Light) |
| 3 | 90182 | * | Lamp Holder (starter type) |
| 4 | 90177 | * | Ballast |
| 5 | 90183 | * | Lamp Holder |
| 6 | 90187 | * | Convenience Outlet |
| 7 | 90185 | * | Switch |
| 8 | 90195 | * | End Cap R. H. |
| 9 | 90327 | | Reflector |
| 10 | 90198 | * | End Cap L. H. |
| 11 | 90328 | | Lens |
| 12 | 90324 | | Light Fixture Complete |
| 13 | 90293 | | Track Top |
| 14 | 90289 | | Body Assy. |
| 15 | 90323 | | Frame Assy. (Mirror) |
| 16 | 90211 | * | Hardware Set |
| 17 | 90212 | * | Support R. H. (2 required) |
| 18 | 90213 | * | Support L. H. (2 required) |
| 19 | 90214 | * | Knob (2 required) |
| 20 | 90215 | * | Screw (for knob - 2 required) |
| 21 | 90040 | * | Screw (mounting - 4 required) |
| 22 | 90299 | * | Shelf (2 required) |
| | | | <u>MODEL TL-607</u> |
| 23 | 90300 | | Mirror R. H. - 3/16 Heavy Sheet |
| 24 | 90301 | | Mirror L. H. - 3/16 Heavy Sheet |
| 25 | 90294 | | Track Bottom |
| | | | <u>MODEL TL-608</u> |
| 26 | 90302 | | Mirror - Plate |
| 27 | 90303 | | Mirror - Plate |
| 28 | 90295 | | Track Bottom |

Order Parts From: PARTS DEPT. C/O

NuTone

DIVISION

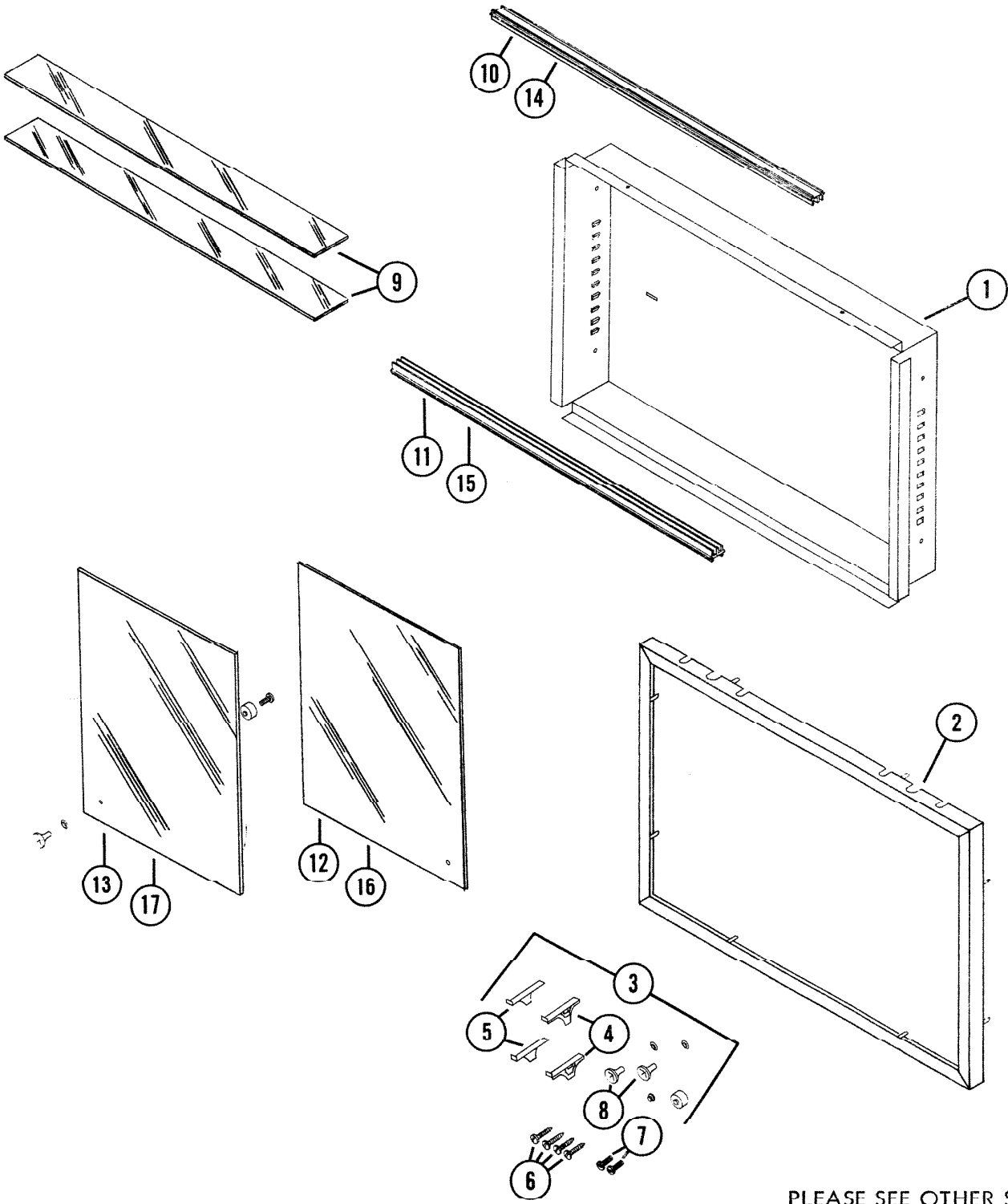
Madison and Red Bank Rds., Cincinnati, O. 45227

EFFECTIVE DATE
May 1, 1971

NuTone

PARTS LIST

MODEL
S-621P - S-621W
Bathroom Cabinets



PLEASE SEE OTHER SIDE

Order Parts From: PARTS DEPT. C/O

NuTone

DIVISION

Madison and Red Bank Rds., Cincinnati, O. 45227

| REF. | PART NO. | *Part used on other model/s | PART DESCRIPTION |
|------|----------|-----------------------------|------------------------------------|
| | | | <u>COMMON PARTS</u> |
| 1 | 90252 | | Body Assy. |
| 2 | 90635 | | Frame Assy. |
| 3 | 90211 | * | Hardware Set |
| 4 | 90212 | * | Support R. H. (Shelf - 2 required) |
| 5 | 90213 | * | Support L. H. (Shelf - 2 required) |
| 6 | 90040 | * | Screw Mounting (4 required) |
| 7 | 90215 | * | Screw (for knob - 2 required) |
| 8 | 90214 | * | Knob - (2 required) |
| 9 | 90280 | | Shelf (2 required) |
| | | | <u>MODEL S-621P</u> |
| 10 | 90256 | | Track Top |
| 11 | 90257 | | Track Bottom |
| 12 | 90274 | | Mirror R. H. (Window) |
| 13 | 90275 | | Mirror L. H. (Window) |
| | | | <u>MODEL S-621W</u> |
| 14 | 90258 | | Track Top |
| 15 | 90259 | | Track Bottom |
| 16 | 90276 | | Mirror R. H. - Plate |
| 17 | 90277 | | Mirror L. H. - Plate |

Order Parts From: PARTS DEPT. C/O

NuTone

DIVISION

Madison and Red Bank Rds., Cincinnati, O. 45227

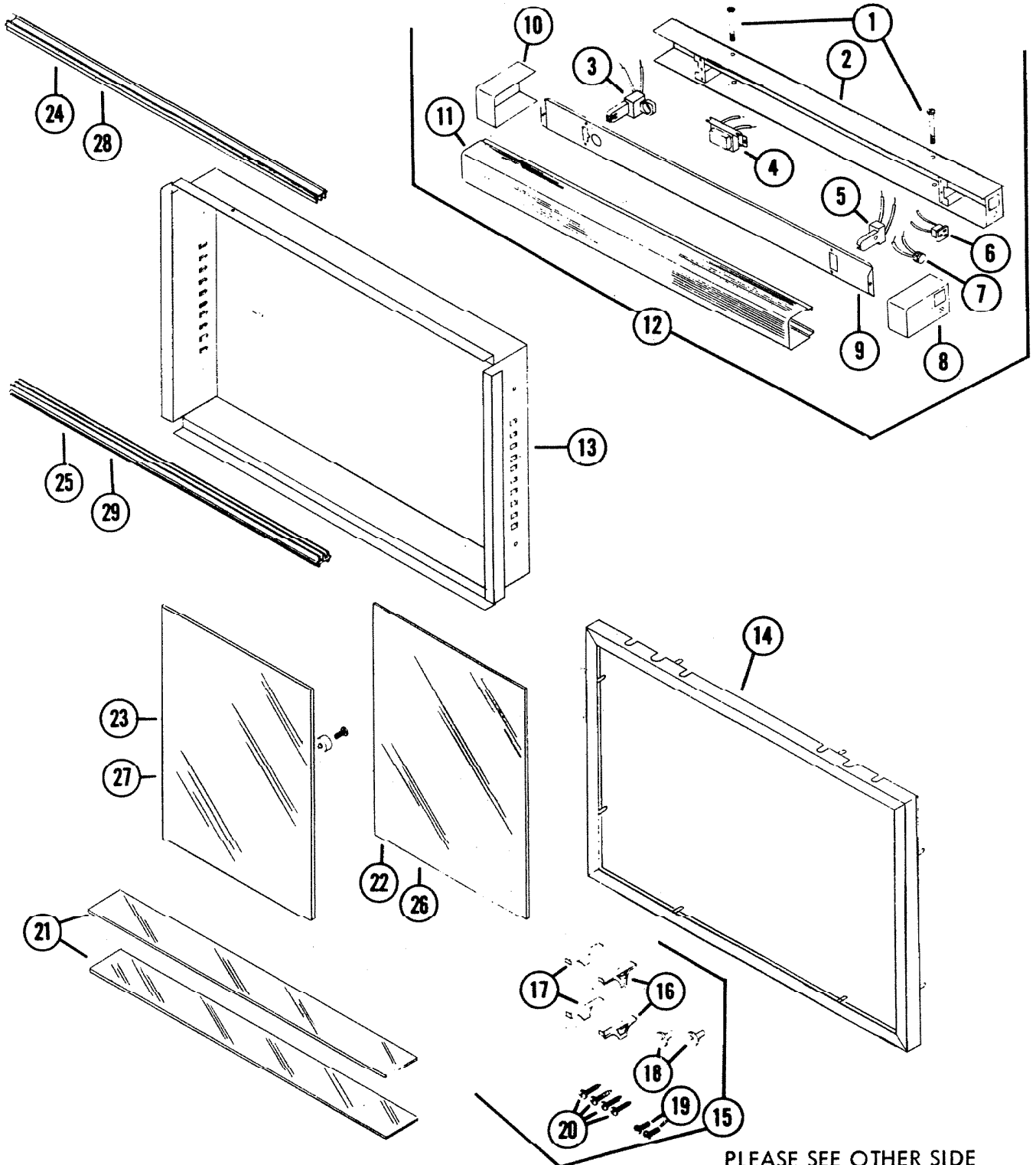
EFFECTIVE DATE

May 1, 1971

NuTone

PARTS LIST

MODEL
TL-621P - TL-621W
Bathroom Cabinets



PLEASE SEE OTHER SIDE

Order Parts From: PARTS DEPT. C/O

NuTone

DIVISION

Madison and Red Bank Rds. Cincinnati, O 45227

| REF. | PART NO. | *Part used on other model s | PART DESCRIPTION |
|------|----------|-----------------------------|---|
| | | | COMMON PARTS |
| 1 | 90190 | * | Screw Bolt #8 - 32 x 2 13/16 (2 required) |
| 2 | 90261 | | Body Assy. (Light) |
| 3 | 90182 | * | Lamp Holder (Starter type) |
| 4 | 90177 | * | Ballast |
| 5 | 90183 | * | Lamp Holder |
| 6 | 90268 | | Convenience Outlet |
| 7 | 90185 | * | Switch |
| 8 | 90265 | * | End Cap R. H. |
| 9 | 90269 | | Reflector |
| 10 | 90263 | | End Cap L. H. |
| 11 | 90271 | | Lens |
| 12 | 90260 | | Light Fixture Complete |
| 13 | 90252 | | Body Assy. |
| 14 | 90272 | | Frame Assy. (Mirror) |
| 15 | 90211 | * | Hardware Set |
| 16 | 90212 | * | Support R. H. (2 required) |
| 17 | 90213 | * | Support L. H. (2 required) |
| 18 | 90214 | * | Knob (2 required) |
| 19 | 90215 | * | Screw (for knob - 2 required) |
| 20 | 90040 | * | Screw (mounting - 4 required) |
| 21 | 90280 | | Shelf (2 required) |
| | | | <u>MODEL TL-621P</u> |
| 22 | 90274 | | Mirror R. H. - Plate |
| 23 | 90275 | | Mirror L. H. - Plate |
| 24 | 90256 | | Track Top |
| 25 | 90257 | | Track Bottom |
| | | | <u>MODEL TL-621W</u> |
| 26 | 90276 | | Mirror R. H. - Window |
| 27 | 90277 | | Mirror L. H. - Window |
| 28 | 90258 | | Track Top |
| 29 | 90259 | | Track Bottom |

Order Parts From: PARTS DEPT. C/O

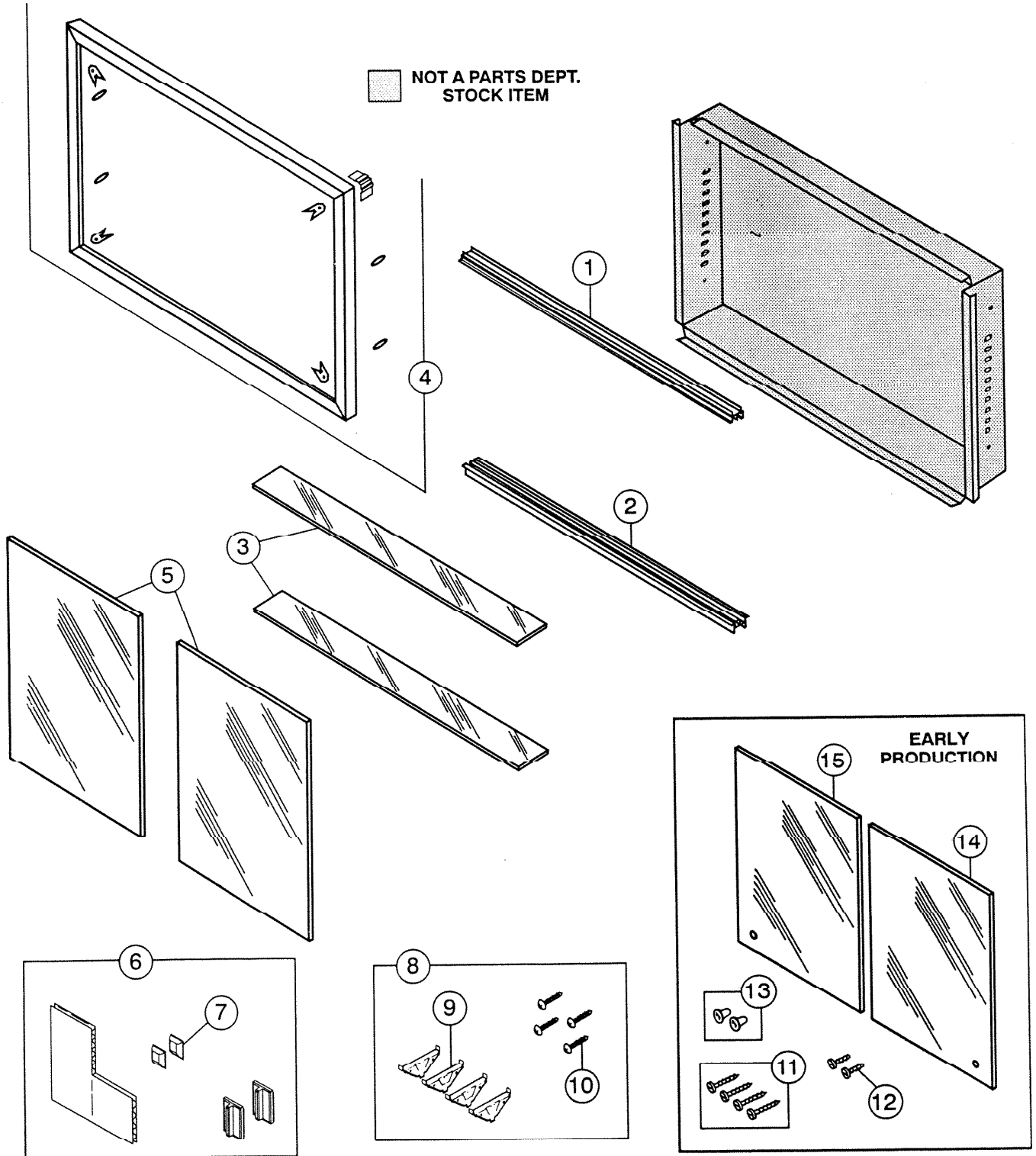
NuTone

DIVISION

Madison and Red Bank Rds. Cincinnati, O 45227

NuTone PARTS LIST

| EFFECTIVE DATE | MODEL NUMBER | PRODUCT GROUP |
|----------------|--|-----------------|
| JUNE 1993 | S-624-C REVISED (OBSOLETE) S-624-P REVISED | BATH CABINET |



| REF. | ORIGINAL PART NO. | *PART DESCRIPTION | MODEL USED ON | CURRENT REPLACEMENT PART NO. | |
|------|-------------------|--|--------------------|------------------------------|-----------|
| 1 | 90617 | TRACK – TOP | ALL MODELS | 90617-000 | |
| 2 | 90619 | TRACK – BOTTOM | S-624-P | 90619-000 | |
| 3 | 91664 | SHELF – 2 required | ALL MODELS | 91664-000 | |
| 4 | 92424 | FRAME ASSEMBLY | Late Production | S-624-C | 92424-000 |
| | | | Current Production | S-624-P | |
| 5 | 97058 | MIRROR – 2 required | Current Production | S-624-P | 97058-000 |
| 6 | M2019 | HARDWARE ASSEMBLY (SEE NOTE*) | Current Production | S-624C S-624-P | M2019-000 |
| 7 | M0412 | BUMPER – 2 required | Late Production | S-624-C | M0412-000 |
| | | | Current Production | S-624-P | |
| 8 | 97112 | HARDWARE ASSEMBLY (See note**) | Current Production | S-624-P | 97112-000 |
| 9 | 90589 | SHELF SUPPORTS – 4 required | Current Production | S-624-P | 90589-000 |
| 10 | 52842 | SCREW #8 x 1¼ PH PAN HD "A" – 4 required | Current Production | S-624-P | 52842-015 |
| 11 | 90040 | SCREW for mounting – 4 required | Early Production | S-624-C S-624-P | 69781-000 |
| 12 | 90215 | SCREW for Knob – 2 required | Early Production | S-624-C S-624-P | 52831-039 |
| 13 | 90214 | KNOB – 2 required | Early Production | S-624-C S-624-P | 90353-000 |
| 14 | 90625 | MIRROR – Plate | Early Production | S-624-P | 90625-000 |
| 15 | 90626 | MIRROR – Plate | Early Production | S-624-P | 90626-000 |

***NOTE: Hardware Assembly Contains:**
(1) Door Pull Template
(2) Bumpers – clear
(2) Door Pull Assembly (Door Pulls and double faced tape)

****NOTE: Hardware Assembly Contains:**
(4) Shelf Supports
(4) Screws #8 x 1¼ PH PAN HD "A"

NOTE: Always order by current part number



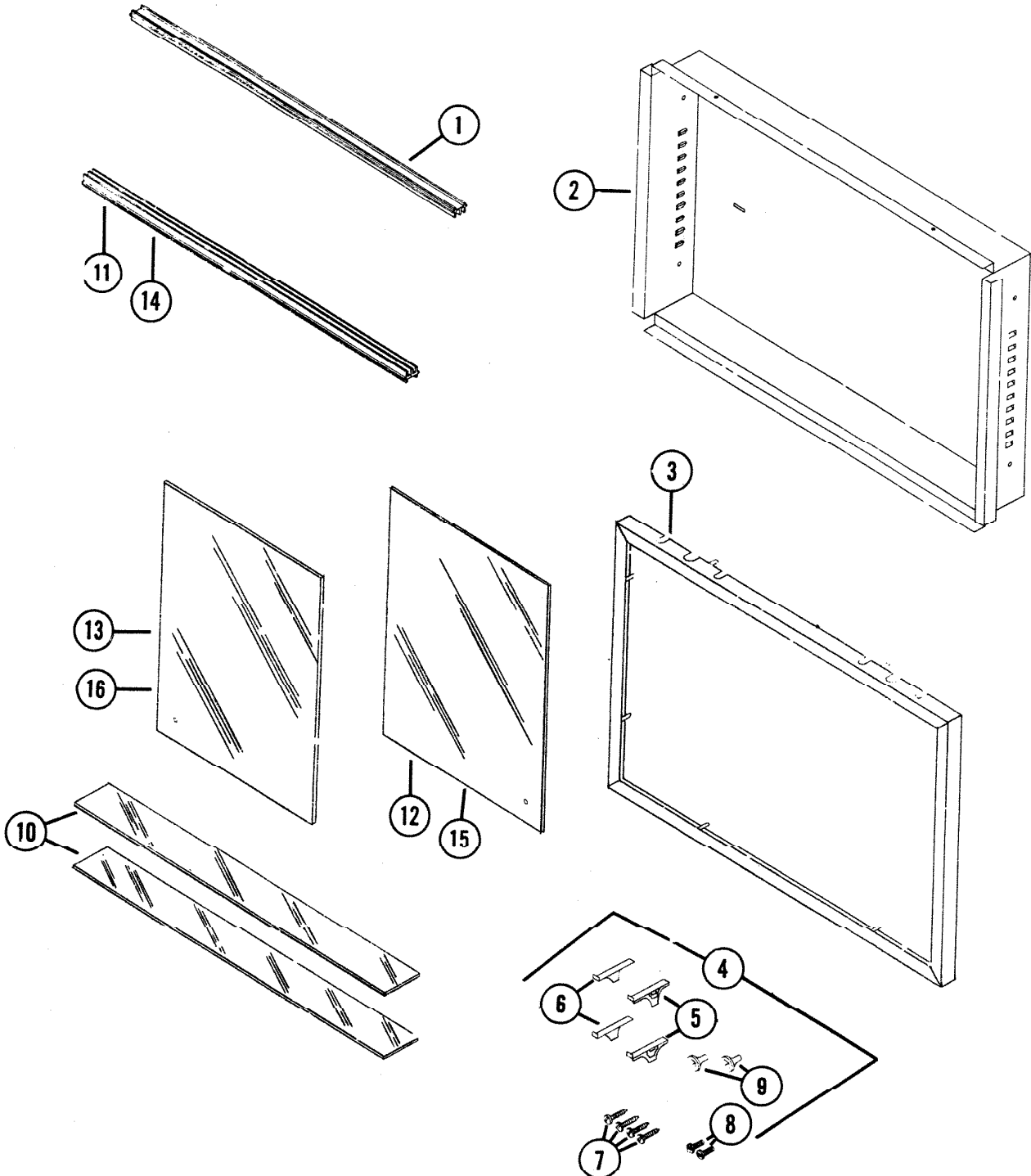
EFFECTIVE DATE

May 1, 1971

NuTone

PARTS LIST

MODEL
S-624C - S-624P
Bathroom Cabinets



PLEASE SEE OTHER SIDE

Order Parts From: PARTS DEPT. C/O

NuTone

DIVISION

Madison and Red Bank Rds. Cincinnati, O. 45227

| REF. | PART NO. | *Part used on other model/s | PART DESCRIPTION |
|------|----------|-----------------------------|------------------------------------|
| | | | <u>COMMON PARTS</u> |
| 1 | 90617 | | Track Top |
| 2 | 90615 | | Body Assy. |
| 3 | 90620 | | Frame Assy. |
| 4 | 90211 | * | Hardware Set |
| 5 | 90212 | * | Support R. H. (Shelf - 2 required) |
| 6 | 90213 | * | Support L. H. (Shelf - 2 required) |
| 7 | 90040 | * | Screw (for mounting - 4 required) |
| 8 | 90215 | * | Screw (for knob - 2 required) |
| 9 | 90214 | * | Knob (2 required) |
| 10 | 91664 | * | Shelf (2 required) |
| | | | <u>MODEL S-624C</u> |
| 11 | 90618 | * | Track Bottom |
| 12 | 90623 | | Mirror R. H. (Heavy Sheet) |
| 13 | 90624 | | Mirror L. H. (Heavy Sheet) |
| | | | <u>MODEL S-624P</u> |
| 14 | 90619 | | Track Bottom |
| 15 | 90625 | | Mirror - Plate |
| 16 | 90626 | | Mirror - Plate |

Order Parts From: PARTS DEPT. C/O

NuTone

DIVISION

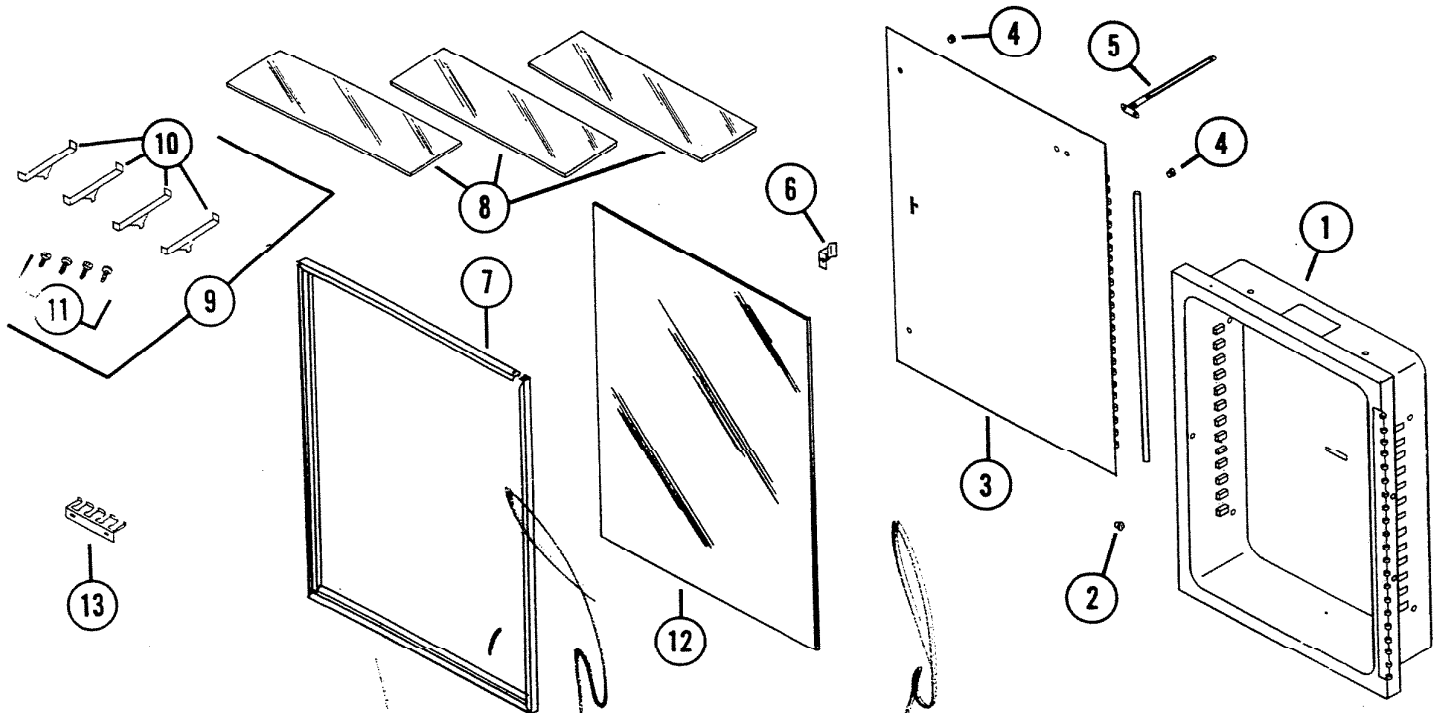
Madison and Red Bank Rds., Cincinnati, O. 45227

EFFECTIVE DATE

June 1, 1971

NuTone PARTS LIST

MODEL
SF-624
Bathroom Cabinet



| REF. | PART NO. | *Part used on other model/s | PART DESCRIPTION |
|------|----------|-----------------------------|----------------------------|
| | | | <u>COMMON PARTS</u> |
| 1 | 90710 | | Body Assy. |
| 2 | 90555 | | Catch Bullet |
| 3 | 90714 | | Door Back |
| 4 | 90069 | | Bumper - 2 required |
| 5 | 90684 | | Door Stop Assy. |
| 6 | 90067 | | Catch (Door) |
| 7 | 90717 | | Frame |
| 8 | 90719 | | Shelf - 3 required |
| 9 | 90691 | | Hardware Set |
| 10 | 90039 | | Support Shelf - 4 required |
| 11 | 90040 | | Screw - 4 required |
| 12 | 90715 | | Mirror - Plate |
| 13 | 90114 | | Toothbrush Holder |

Order Parts From: PARTS DEPT. C/O

NuTone **SCOVILL**
DIVISION