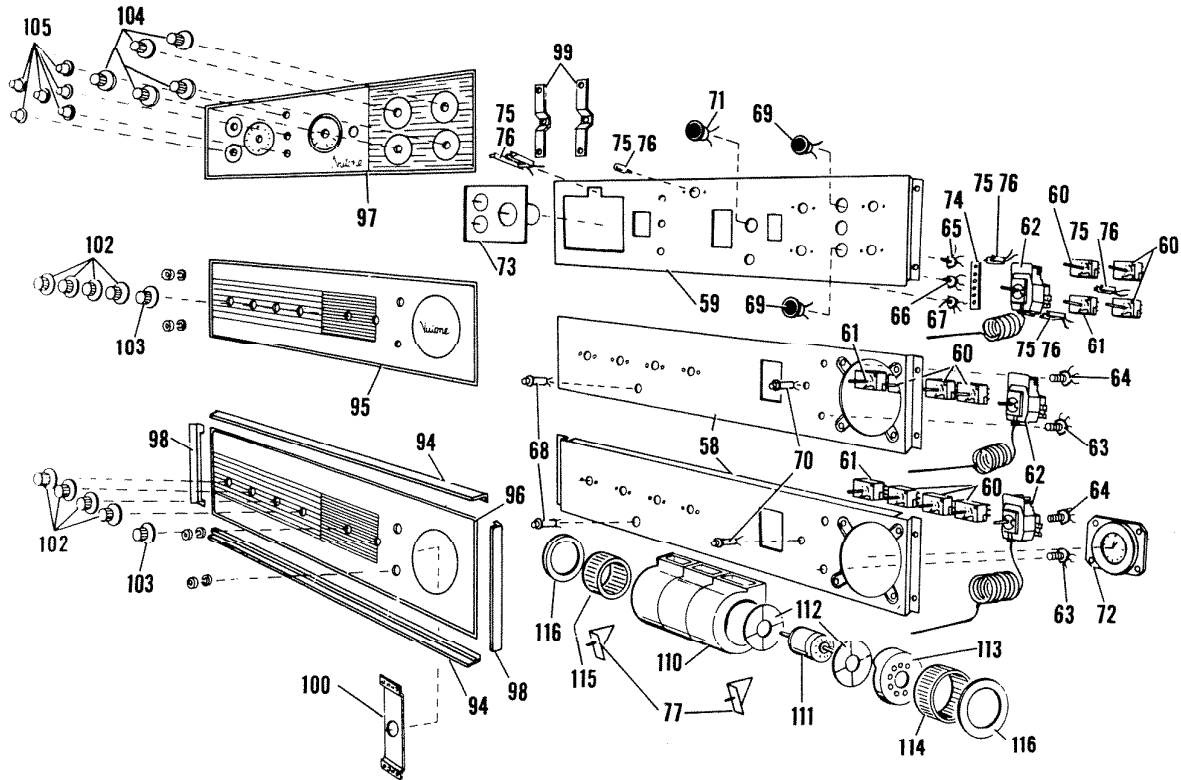


OVEN THERMOSTAT CONTROL FOR MODELS RB, RS, RX, RSE & RXE
EYE-LEVEL MODELS RSE-140L AND RSE-14
PARTS LAYOUT



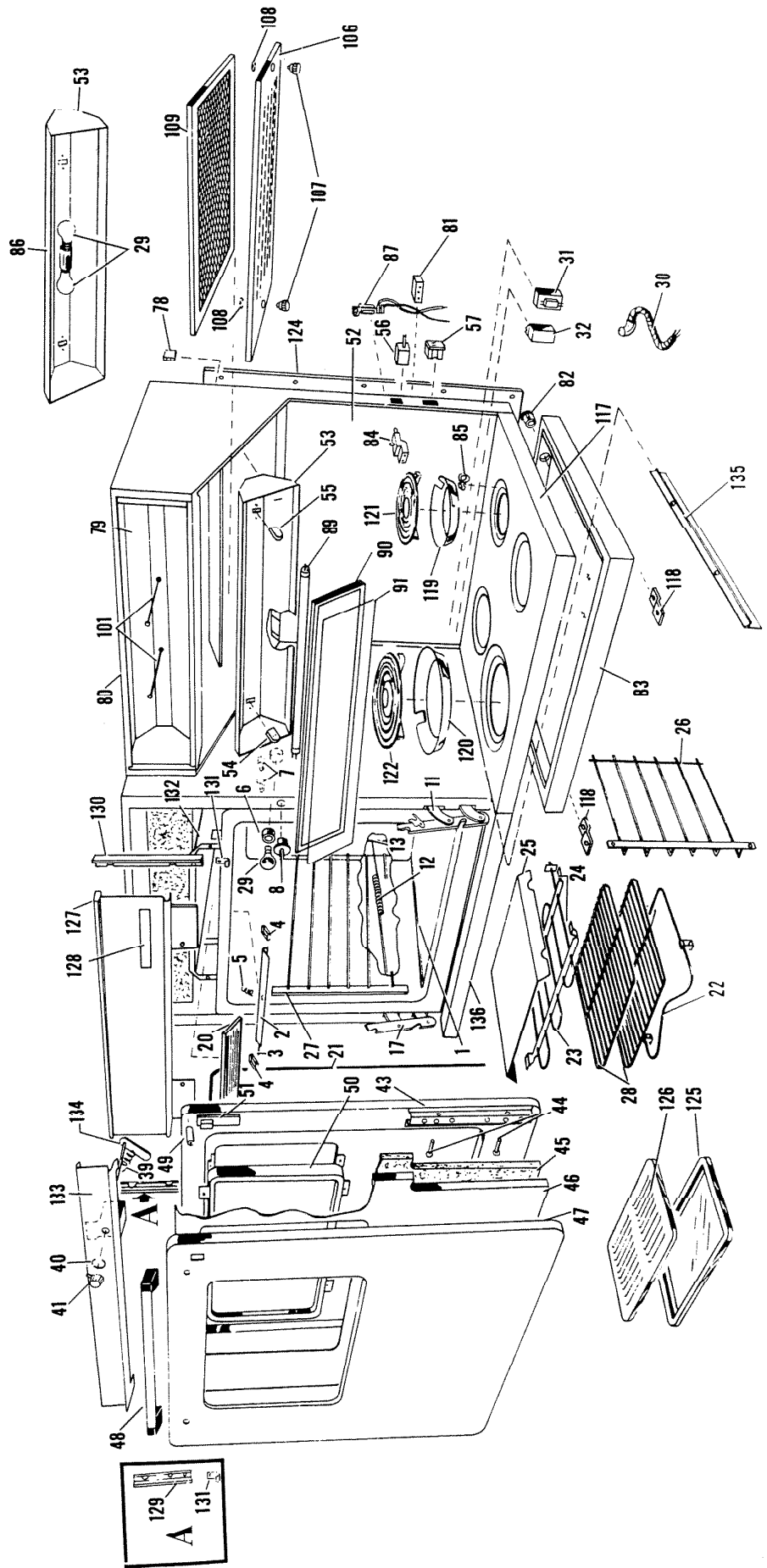
1. The model and serial number may be obtained from data plate, located on bottom of control panel.

2. The part number and description shown in parts list and can be identified on drawing of parts layout.

3. When ordering parts, give the following information:

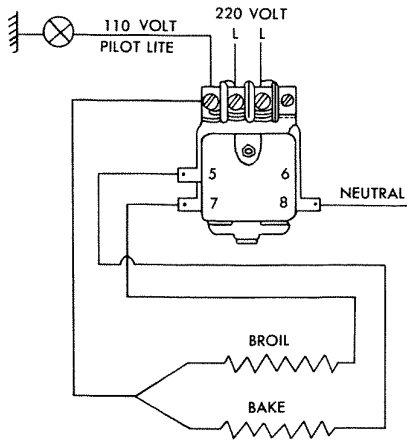
1. Model and serial numbers
2. The part number from the parts list
3. The part name from the parts list

ORDER SERVICE PARTS FROM:
NuTone, Inc. Appliance Division
Cincinnati, Ohio 45227

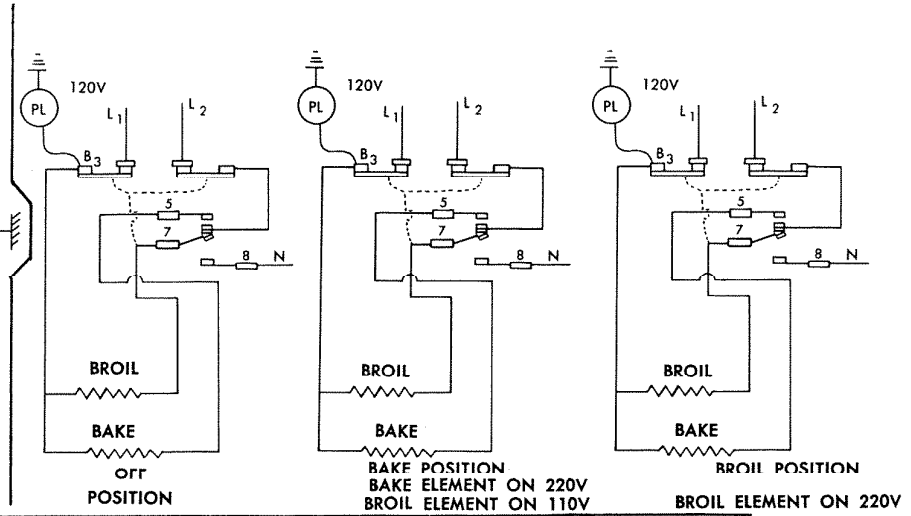


OVEN THERMOSTAT CONTROL FOR MODELS RB, RS, RX, RSE & RXE

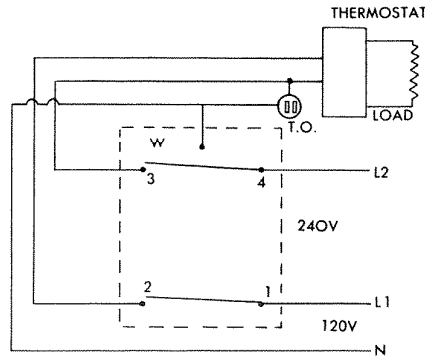
THERMOSTAT CONNECTIONS



WIRING SCHEMATIC

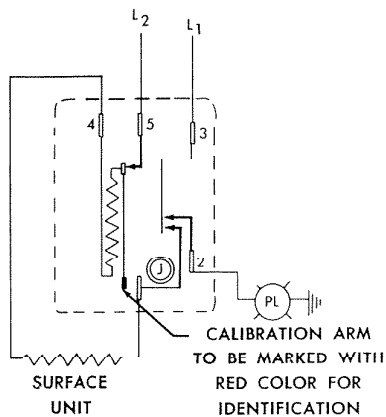


CLOCK AND MINUTE MINDER WIRING DIAGRAM



WIRING SCHEMATIC

INF. CONTROL SWITCH
RATING 1250 - 1500 WATTS
Part # 28136



WIRING SCHEMATIC

INF. CONTROL SWITCH
RATING 2100 WATTS
Part # 28137

