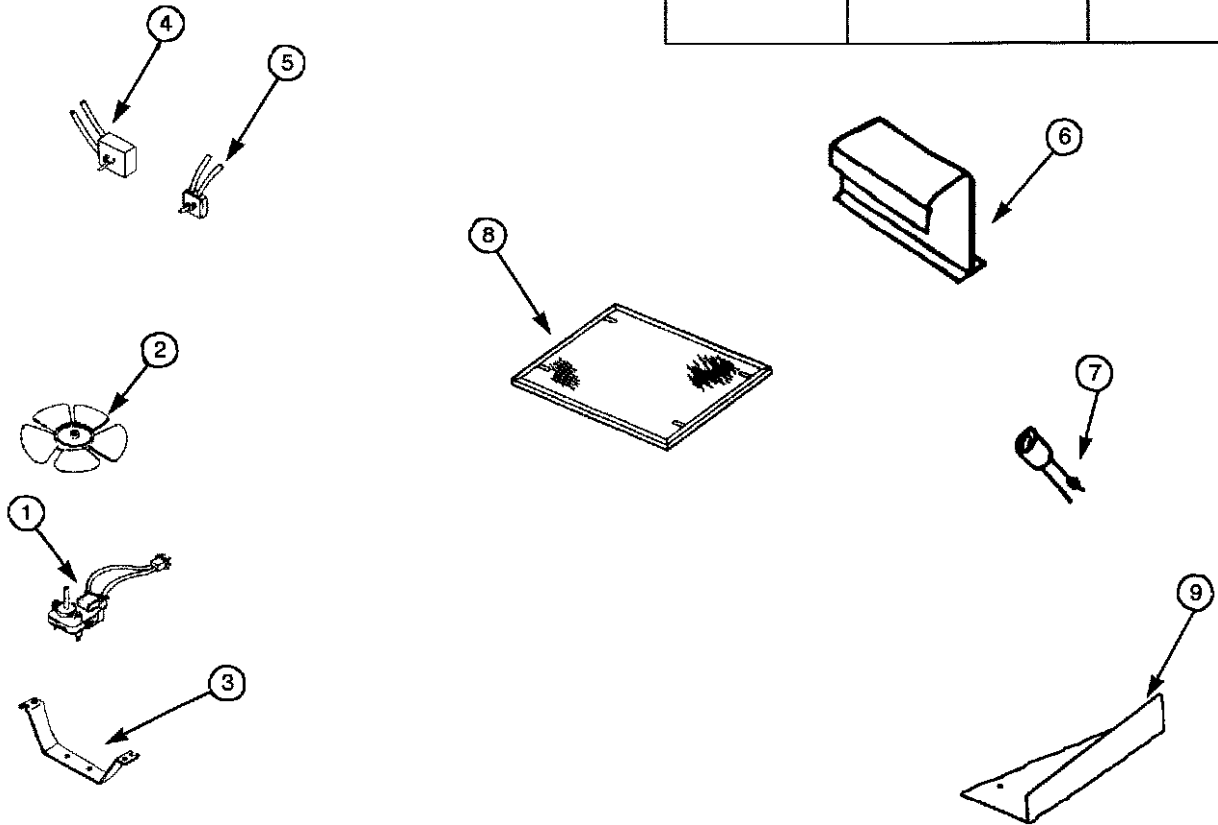


PARTS LIST

EFFECTIVE DATE	MODEL NUMBER	PRODUCT GROUP
MAY 2002	RL6200	RANGE HOODS



REF.	ORIGINAL PART NO.	PART DESCRIPTION	MODEL USED ON	CURRENT REPLACEMENT PART NO.
1	K4419	MOTOR	RL6200	K4419-000
2	K4420	FAN BLADE	RL6200	K4420-000
3	K4421	MOTOR BRACKET	RL6200	K4421-000
4	K4734	FAN SWITCH (WHITE)	RL6200	K4734-000
	K1346	FAN SWITCH (BLACK)	RL6200	K1346-000
	K7319	FAN SWITCH (ALMOND)	RL6200	K7319-000
5	K7434	LIGHT SWITCH (WHITE)	RL6200	K4735-000
	K7435	LIGHT SWITCH (BLACK)	RL6200	K1347-000
	K7317	LIGHT SWITCH (ALMOND)	RL6200	K7317-000
6	K4424	LAMP COVER	RL6200	K4424-000
7	K6601	LAMP HOLDER	RL6200	K6600-000
8	K5509	FILTER (INDICATOR)	RL6200	K5509-000
9	K4423	ELECTRICAL COVER	RL6200	K4423-000

NuTone®

NuTone
 Attn: Parts Department
 4820 Red Bank Road
 Cincinnati, OH 45227-1599
 Phone: (513) 527-5426
 Fax: (513) 527-5173

↑
NOTE: Always order by current part number