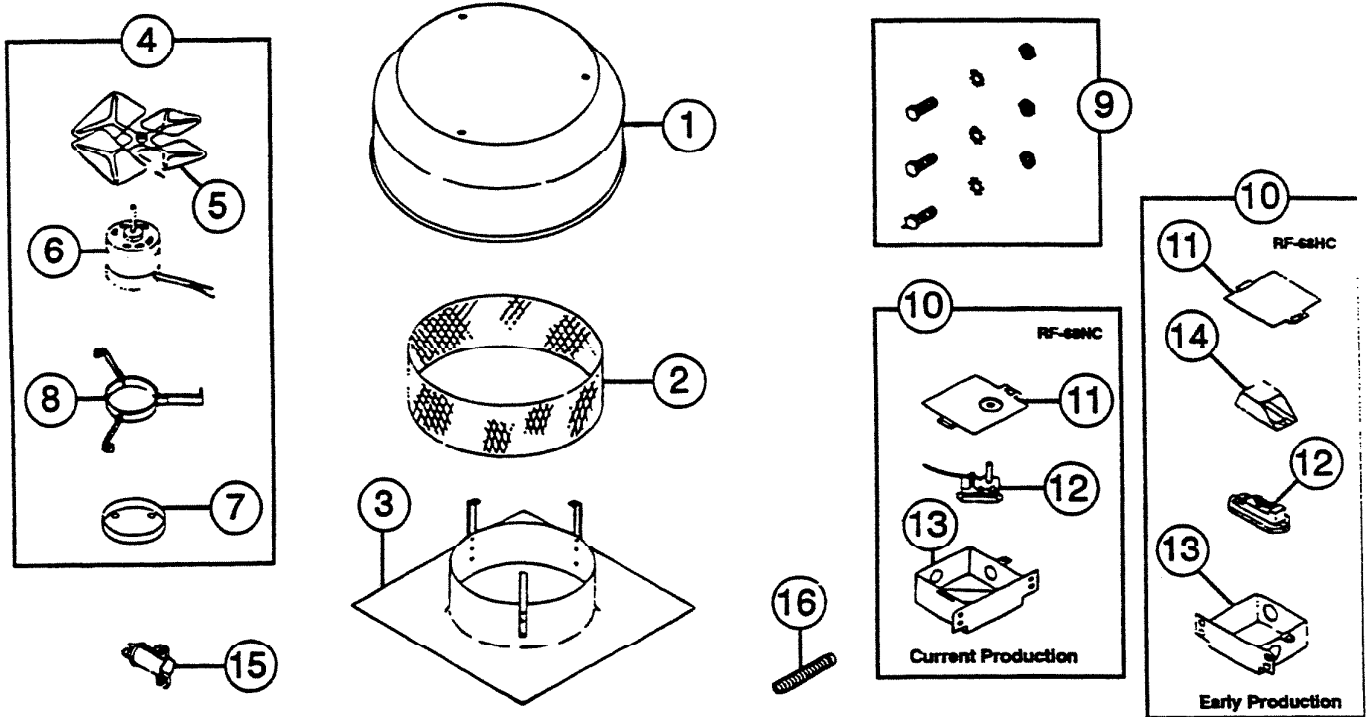


# PARTS LIST

EFFECTIVE DATE	MODEL NUMBER	PRODUCT GROUP
JANUARY 1995	RF-68NC RF-68HC REVISED	FAN



REF.	ORIGINAL PART NO.	*PART DESCRIPTION	MODEL USED ON	CURRENT REPLACEMENT PART NO.
1	67552	COVER	RF-68NC RF-68HC	67552-000
2	67547	BIRD GUARD	RF-68NC RF-68HC	67547-000
3	1251A	FLASHPLATE ASSEMBLY	RF-68NC RF-68HC	1251A-000
4	0094C	"B" UNIT	RF-68NC RF-68HC	0094C-000
5	67550	FAN BLADE	RF-68NC RF-68HC	67550-000
6	67840	MOTOR	RF-68NC RF-68HC	VOID-NOT AVAILABLE
(PLEASE SEE OTHER SIDE)				

# NuTone

NuTone  
Attn: Parts Department  
Madison & Red Bank Rds.  
Cincinnati, OH 45227-1599  
Phone: (513) 527-5426  
Fax: (513) 527-5173

NOTE: Always order by current part number

REF.	ORIGINAL PART NO.	*PART DESCRIPTION	MODEL USED ON	CURRENT REPLACEMENT PART NO.	
7	67841	MOTOR COVER	RF-68NC RF-68HC	VOID-NOT AVAILABLE	
8	1244A	MOTOR MOUNTING BRACKET SET	RF-68NC RF-68HC	1244A-000	
9	1245A	MOTOR MOUNTING HARDWARE	RF-68NC RF-68HC	1245A-000	
10	64641	OUTLET BOX & THERMOSTAT ASSEMBLY	Early Production	RF-68NC	1249A
	1249A		Current Production	RF-68HC	1249A-000
11	68648	OUTLET BOX COVER	Early Production	RF-68NC	68644-000
	68644		Current Production	RF-68HC	68644-000
12	26693	THERMOSTAT	Early Production	RF-68NC	1249A
	68643		Current Production	RF-68HC	68643-000
13	64642	OUTLET BOX	Early Production	RF-68NC	68642-000
	68642		Current Production	RF-68HC	68642-000
14	26706	THERMOSTAT BARRIER	Early Production	RF-68NC	VOID-NOT AVAILABLE
15	26689	CONDUIT CONNECTOR	RF-68NC RF-68HC	26689-000	
16	26690	FLEXIBLE CONDUIT	RF-68NC RF-68HC	26690-000	
—	0095C	SPACER KIT — NOT SHOWN	RF-68NC RF-68HC	0095C-000	

↑

**NOTE: Always order by  
current part number**