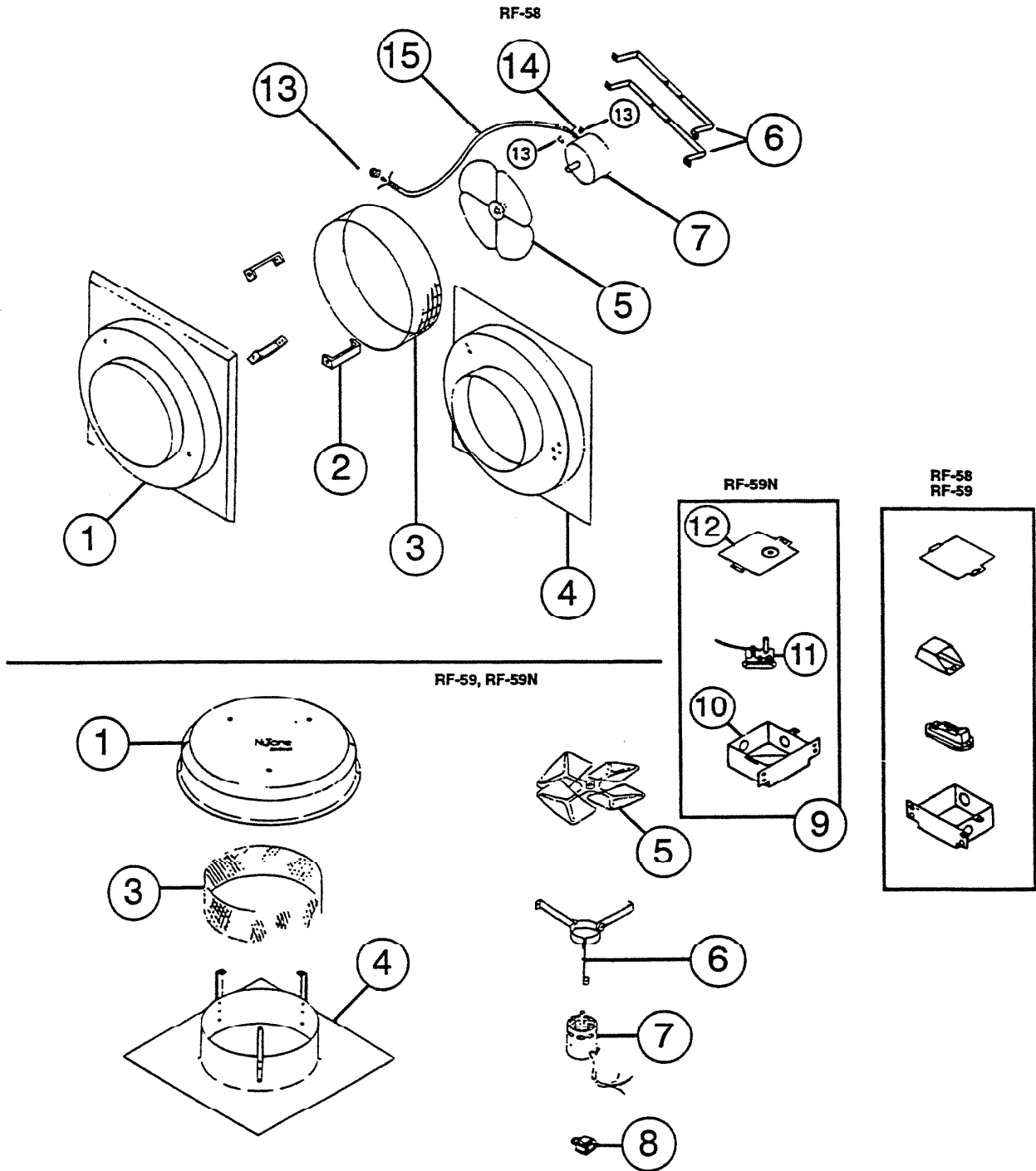


# PARTS LIST

EFFECTIVE DATE	MODEL NUMBER	PRODUCT GROUP
AUGUST 1994	RF-58, RF-59 RF-59N REVISED	EXHAUST FAN



# NuTone

NuTone  
 Attn: Parts Department  
 Madison & Red Bank Rds.  
 Cincinnati, OH 45227-1599  
 Phone: (513) 527-5426  
 Fax: (513) 527-5173

REF.	ORIGINAL PART NO.	*PART DESCRIPTION	MODEL USED ON	CURRENT REPLACEMENT PART NO.
1	64647	COVER	RF-58	Void - not avail.
	67183		RF-59, RF-59N	67183-005
2	64644	MOUNTING BRACKET	RF-58	Void - not avail.
3	64645	BIRD GUARD	RF-58	Void - not avail.
	67174		RF-59, RF-59N	67174-000
4	64638	FLASH PLATE ASSEMBLY	RF-58	Void - not avail.
	1275A		RF-59, RF-59N	1275A-000
5	64643	FAN BLADE	RF-58	Void - not avail.
	67180		RF-59, RF-59N	67180-000
6	64639	MOTOR BRACKET SET	RF-58	Void - not avail.
	1279A		RF-59, RF-59N	1279A-000
7	64670	MOTOR	RF-58	Void - not avail.
	67177		RF-59, RF-59N	67178-000
8	50446	STRAIN RELIEF	RF-59, RF-59N	50446-000
9	64641	OUTLET BOX & THERMOSTAT ASSEMBLY	All Models	1249A-000
10	64642	OUTLET BOX	RF-58, RF-59	68642-000
	68642		RF-59N	
11	26693	THERMOSTAT	RF-58, RF-59	Use Ref. No. 9
	68642		RF-59N	68643-000
12	64648	OUTLET BOX COVER	RF-58, RF-59	68644-000
	68644		RF-59N	
13	26689	CONDUIT CONNECTOR	RF-58	26689-000
14	11577	BUSHING	RF-58	11577-000
15	26690	FLEXIBLE CONDUIT	RF-58	26690-000

↑

**NOTE: Always order by current part number**