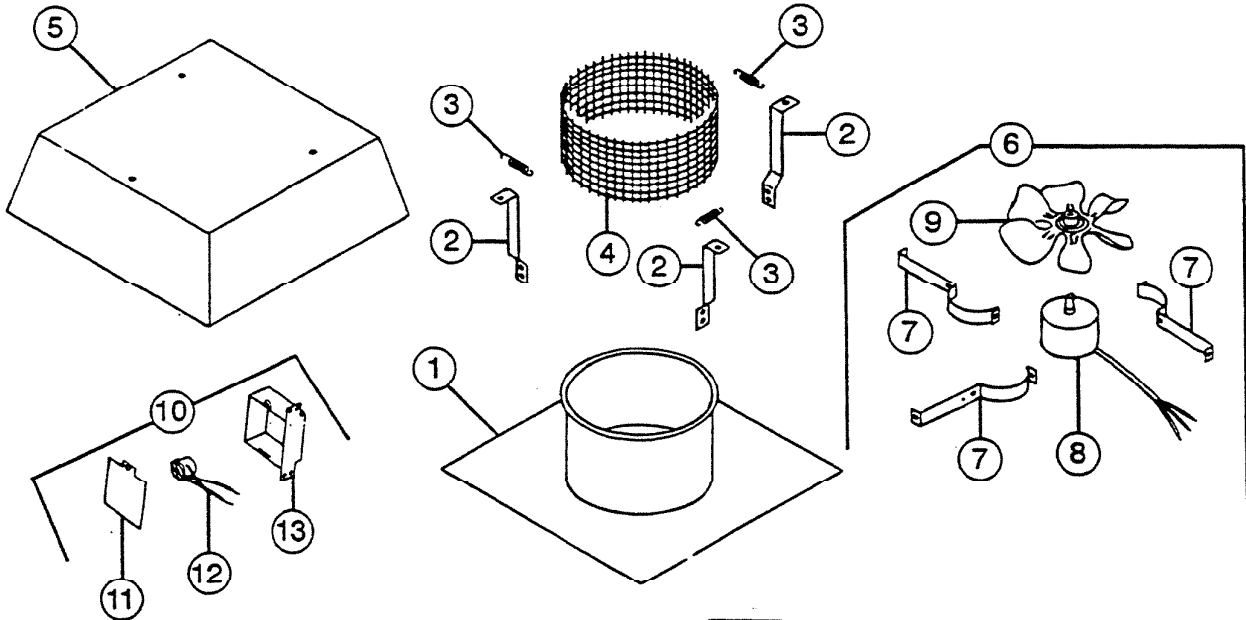


PARTS LIST

EFFECTIVE DATE	MODEL NUMBER	PRODUCT GROUP
OCTOBER 1994	RF-48 REVISED	FAN



REF.	ORIGINAL PART NO.	*PART DESCRIPTION	MODEL USED ON	CURRENT REPLACEMENT PART NO.
1	66371	FLASH PLATE AND SLEEVE ASSEMBLY	RF-48	Void - not avail.
2	26697	MOUNTING BRACKET (1) - 3 Required	RF-48	Void - not avail.
3	16691	SPRING (1) - 3 Required	RF-48	Void - not avail.
4	66378	BIRD GUARD	RF-48	Void - not avail.
5	66379	COVER	RF-48	Void - not avail.
6	66374	"B" UNIT - Motor, Fan Blade, Bracket	RF-48	Void - not avail.
7	66376	MOTOR MOUNTING BRACKET (1) - 3 Required	RF-48	Void - not avail.
8	66375	MOTOR $\frac{3}{8}$ SHAFT - No.'s on Data Plate JA2R127N or 82541 10370	RF-48	Void - not avail.
9	66377	FAN BLADE $\frac{3}{8}$ HUB	RF-48	Void - not avail.
10	1250A	OUTLET BOX AND COVER ASSEMBLY	RF-48	Void - not avail.
11	64648	OUTLET BOX COVER ONLY	RF-48	Void - not avail.
12	66381	THERMOSTAT	RF-48	Void - not avail.
13	66380	OUTLET BOX ONLY	RF-48	Void - not avail.

NuTone

NuTone
 Attn: Parts Department
 Madison & Red Bank Rds.
 Cincinnati, OH 45227-1599
 Phone: (513) 527-5426
 Fax: (513) 527-5173

↑

NOTE: Always order by current part number