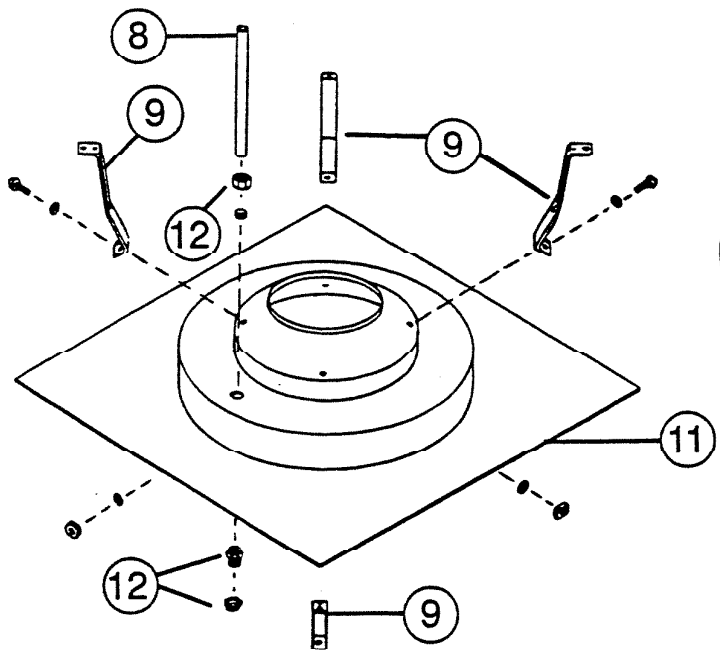
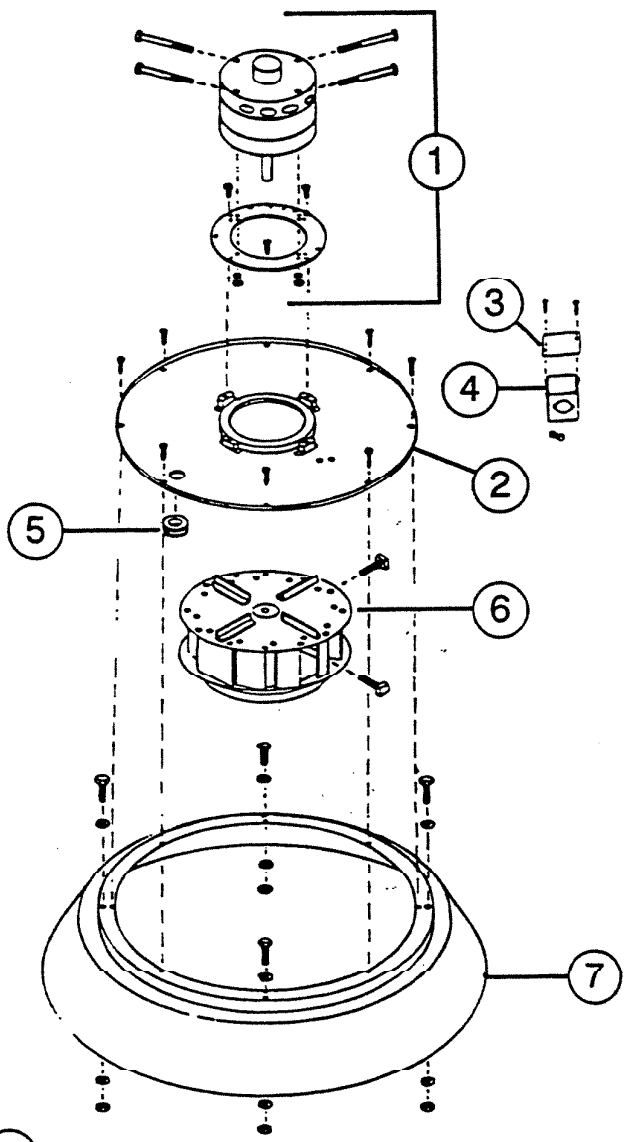
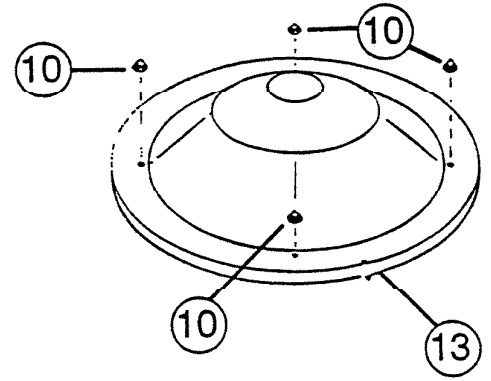


PARTS LIST

EFFECTIVE DATE	MODEL NUMBER	PRODUCT GROUP
OCTOBER 1994	RF-40 REVISED	FAN



NuTone

NuTone
 Attn: Parts Department
 Madison & Red Bank Rds.
 Cincinnati, OH 45227-1599
 Phone: (513) 527-5426
 Fax: (513) 527-5173

REF.	ORIGINAL PART NO.	*PART DESCRIPTION	MODEL USED ON	CURRENT REPLACEMENT PART NO.
1	27643	MOTOR – Includes 4 Bolts and Plate	RF-40	27643-000
2	27640	COVER PLATE WITH RUBBER MOUNTS	RF-40	0456A-000
3	26638	JUNCTION BOX COVER	RF-40	50815-038
4	26658	JUNCTION BOX	RF-40	50813-000
5	27641	GROMMET	RF-40	27641-000
6	27644	BLOWER WHEEL	RF-40	27644-000
7	27637	FAN HOUSING	RF-40	Void - not avail.
8	27638	WIRING TUBE	RF-40	27638-000
9	27636	HOUSING SUPPORT (1) – 4 Required	RF-40	27636-015
10	22110	CAP NUT ¼ x 20 (1) – 4 Required	RF-40	22110-000
11	27635	FLASH PLATE	RF-40	Void - not avail.
12	22681	CONNECTOR	RF-40	22681-000
13	27646	MOTOR COVER	RF-40	27646-000

↑

NOTE: Always order by current part number