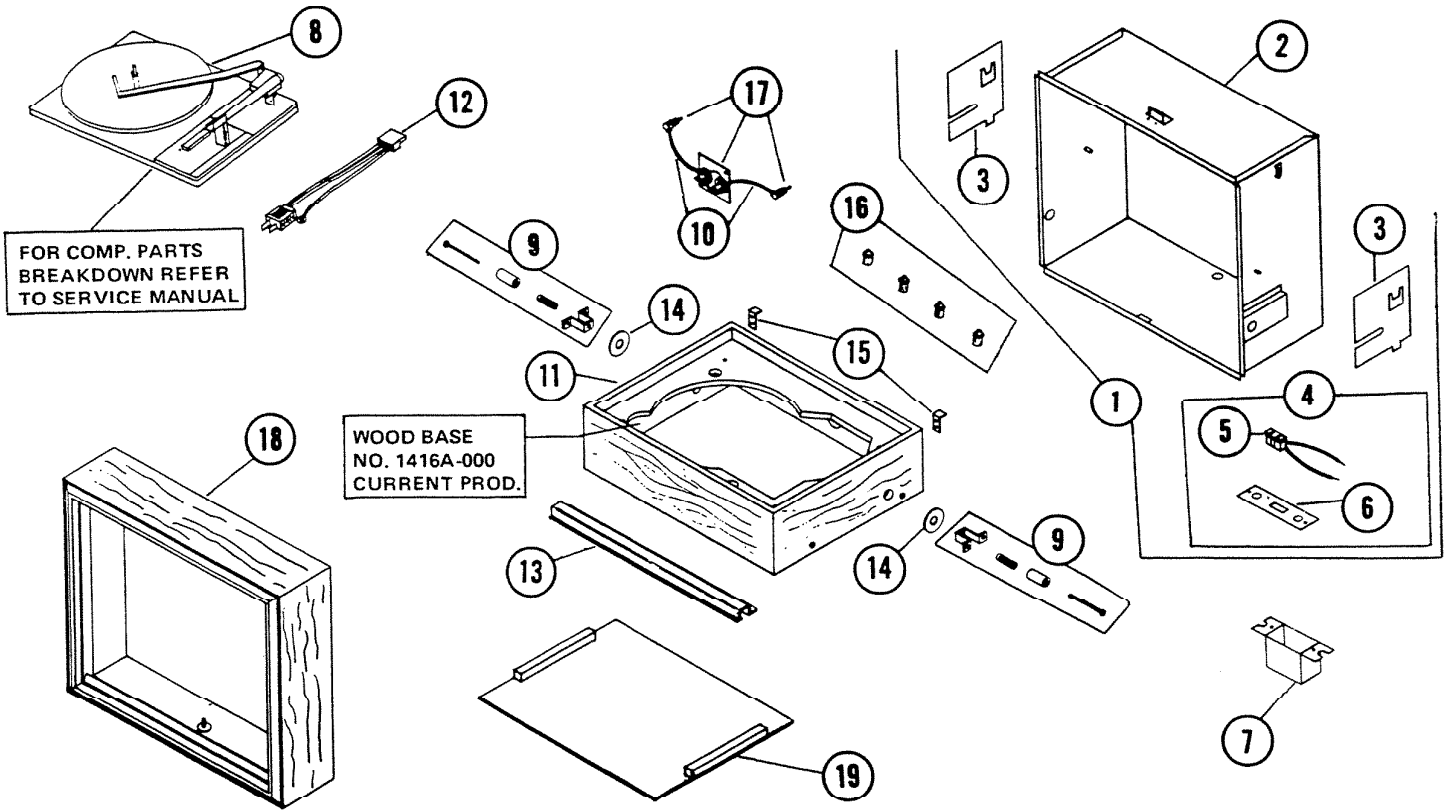


# PARTS LIST

EFFECTIVE DATE	MODEL	PRODUCT GROUP
OCTOBER 1977	RC-90 NEW	ELECTRONICS



REF.	ORIGINAL PART NO.	* PART DESCRIPTION	MODEL USED ON	CURRENT REPLACEMENT PART NO.
1	41317	Box Assy. Comp.	RC-90	41317-000
2	41318	Box Assy. Welded	RC-90	41318-005
3	38388	Hanger Plate (1) 2 Required	RC-90	38388-005
4	41324	Cover Plate Assy.	RC-90	41324-000
5	10034	Receptacle	RC-90	10034-000
6	38397	Cover Plate Only	RC-90	38397-000
7	41334	Outlet Box Assy.	RC-90	41334-000
8	36093	Record Changer	RC-90	1490A-000
9	41320	Plunger Assy.	RC-90	41320-000
		PLEASE SEE OTHER SIDE		

**NuTone Division**  
**Scovill**

ORDER PARTS FROM:  
Parts Department c/o NuTone  
P.O. Box 27, Cincinnati, Ohio 45227

NOTE: Always order by current part number.

REF.	ORIGINAL PART NO.	* PART DESCRIPTION	MODEL USED ON	CURRENT REPLACEMENT PART NO.
10	32664	Cable – Input (1) 2 Required	RC-90	32664-000
11	1416A	Record Changer Base Assy. (Includes Ref. 9, 14, 15, 16, & 17)	RC-90	1416A-000
12	41322	Power Cable Assy.	RC-90	41322-000
13	38382	Handle	RC-90	69851-000
14	39303	Spacer	RC-90	39303-000
15	38384	Bracket – Stop	RC-90	38384-000
16	1489A	Spring Rest (Cup)	RC-90	1489A-000
17	41321	Phono Lead Assy.	RC-90	41321-000
18	41715	Frame Assy. Comp.	RC-90	41715-000
19	41714	Cover Base Assy.	RC-90	41714-000