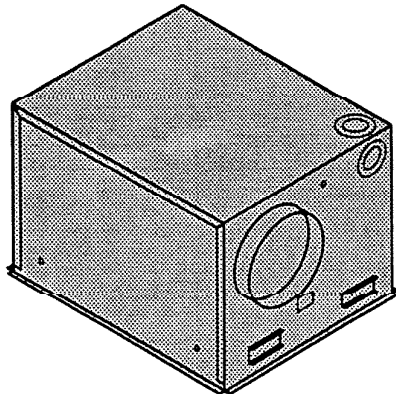
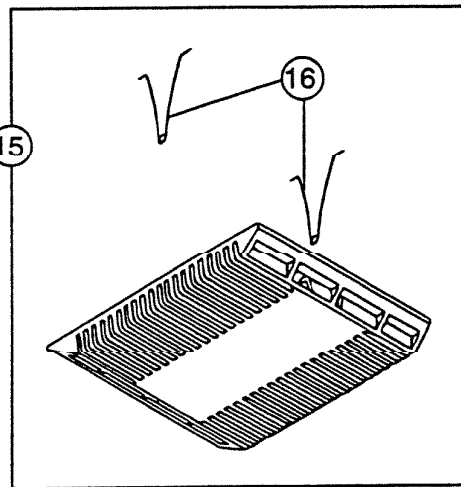
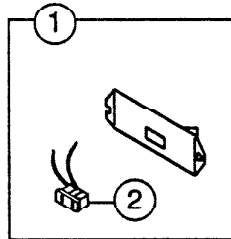
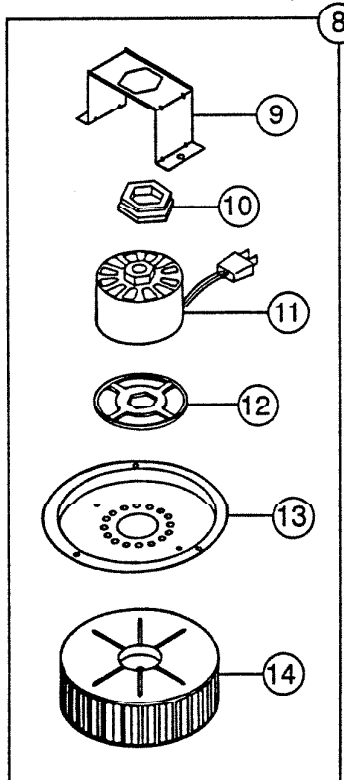
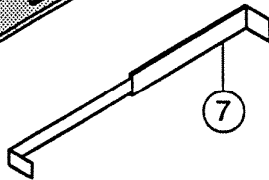
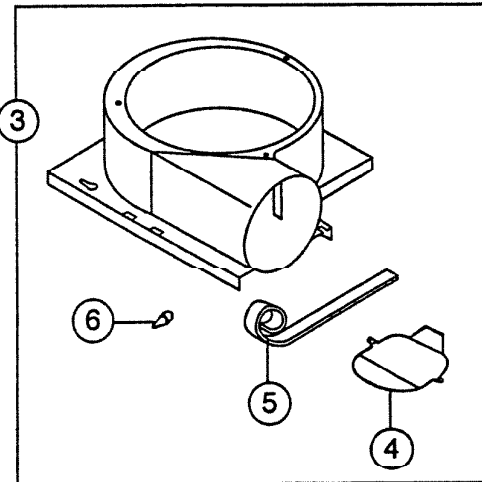


NuTone PARTS LIST

EFFECTIVE DATE	MODEL NUMBER	PRODUCT GROUP
SEPT. 1993	QT90 NEW	FAN



NOT A PARTS DEPT.
STOCK ITEM



REF.	ORIGINAL PART NO.	*PART DESCRIPTION	CURRENT REPLACEMENT PART NO.
-	66200	SCREW #8 x 3/8 PH. HEX/WASH HD. "B" - 3 required	66200-015
1	11119	OUTLET BOX ASSEMBLY	11119-000

REF.	ORIGINAL PART NO.	*PART DESCRIPTION	CURRENT REPLACEMENT PART NO.
2	10034	PLUG RECEPTACLE	10034-000
-	28031	SCREW #8 x 3/8 SLT HEX HD. "A"	28031-015
-	13028	GROUND SCREW #10 x 5/16	13028-000
3	65064	BLOWER HOUSING ASSEMBLY	1307A-000
4	65060	LOUVER	65060-000
5	26572	FOAM SEAL	26572-000
6	27538	BUMPER	27538-000
7	44388	HANGER BAR (1) - 4 required	44388-000
8	44344	MOTOR ASSEMBLY	44344-000
9	27252	MOTOR SUPPORT	27252-000
-	28031	SCREW #8 x 3/8 SLT HEX HD "A" - 2 required	28031-015
10	19359	MOTOR MOUNT - HEX	19359-000
11	65072	MOTOR <i>86324</i>	65072-000
12	19360	MOTOR MOUNT - HEX	19360-000
13	65071	MOTOR MOUNT BRACKET	65071-005
14	44345	BLOWER WHEEL	44345-000
-	66200	SCREW #8 - 18 x 3/8 PH. HEX/WASH HD. "B" - 3 required	66200-015
-	31146	SCREW #6 - 32 x 1/4 SLT HEX HD "I"	31146-015
15	65075	GRILLE ASSEMBLY	65075-000
16	65044	SPRING - TORSION - Set of 2	0448A-000

↑
**NOTE: Always order by
current part number**