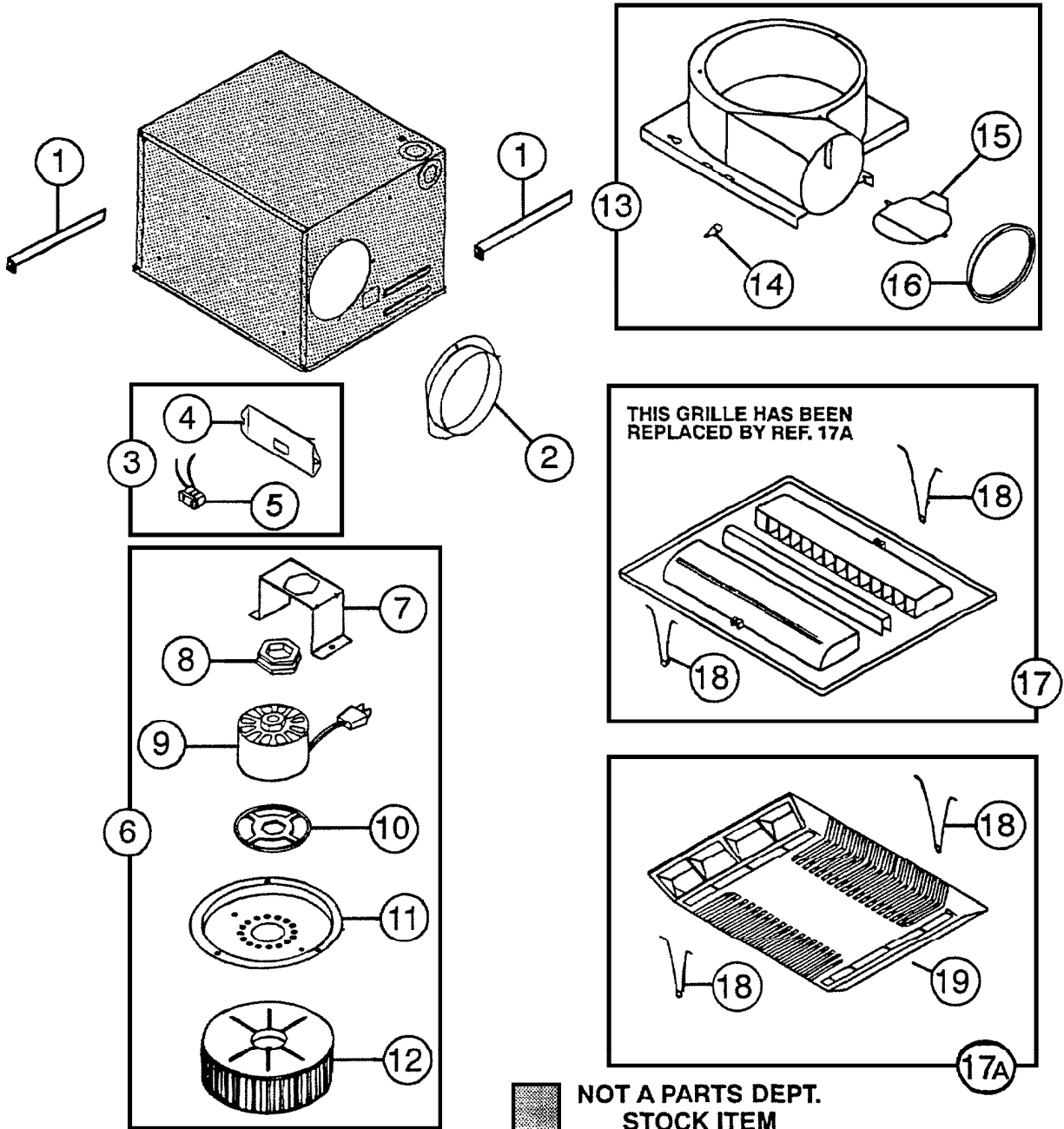


# PARTS LIST

EFFECTIVE DATE	MODEL NUMBER	PRODUCT GROUP
FEB 04	QT-80 REVISED	FAN



# NuTone

NuTone  
 Attn: Parts Department  
 Madison & Red Bank Rds.  
 Cincinnati, OH 45227-1599  
 Phone: (513) 527-5426  
 Fax: (513) 527-5173

REF.	ORIGINAL PART NO.	*PART DESCRIPTION	MODEL USED ON	CURRENT REPLACEMENT PART NO.
1	19767	MOUNTING BRACKET SET – 2	QT-80	69102-000
2	65058	DUCT COLLAR	QT-80	Void - not avail.
3	11119	OUTLET BOX ASSEMBLY	QT-80	11119-000
4	11120	OUTLET BOX	QT-80	11119-000
5	10034	PLUG RECEPTACLE	QT-80	10034-000
6	65069	POWER UNIT ASSEMBLY	QT-80	0695B-000
7	27252	MOTOR SUPPORT	QT-80	27252-000
8	19359	MOTOR MOUNT – HEX	QT-80	19359-000
9	65072	MOTOR	QT-80	0695B-000
				86323-000
10	19360	MOUNT MOUNT – HEX	QT-80	19360-000
11	65071	MOTOR MOUNTING BRACKET	QT-80	65071-000
12	65460	BLOWER WHEEL ASSEMBLY	QT-80	5901A-000
13	65064	BLOWER HOUSING ASSEMBLY	QT-80	1307A-000
14	27533	BUMPER	QT-80	27538-000
15	65060	LOUVER	QT-80	65060-000
16	65059	GASKET	QT-80	26572-000
17	65075	GRILLE ASSEMBLY	QT-80	84607-000
17A	65075	GRILLE ASSEMBLY – Current Version	QT-80	84607-000
18	65044	SPRING – Torsion – Set of 2	QT-80	0447A-000
19	84607	GRILLE – Current Version	QT-80N	84607-000
–	44388	HANGER BAR (1) – 4 Required	QT-80	44388-000

↑

**NOTE: Always order by current part number**