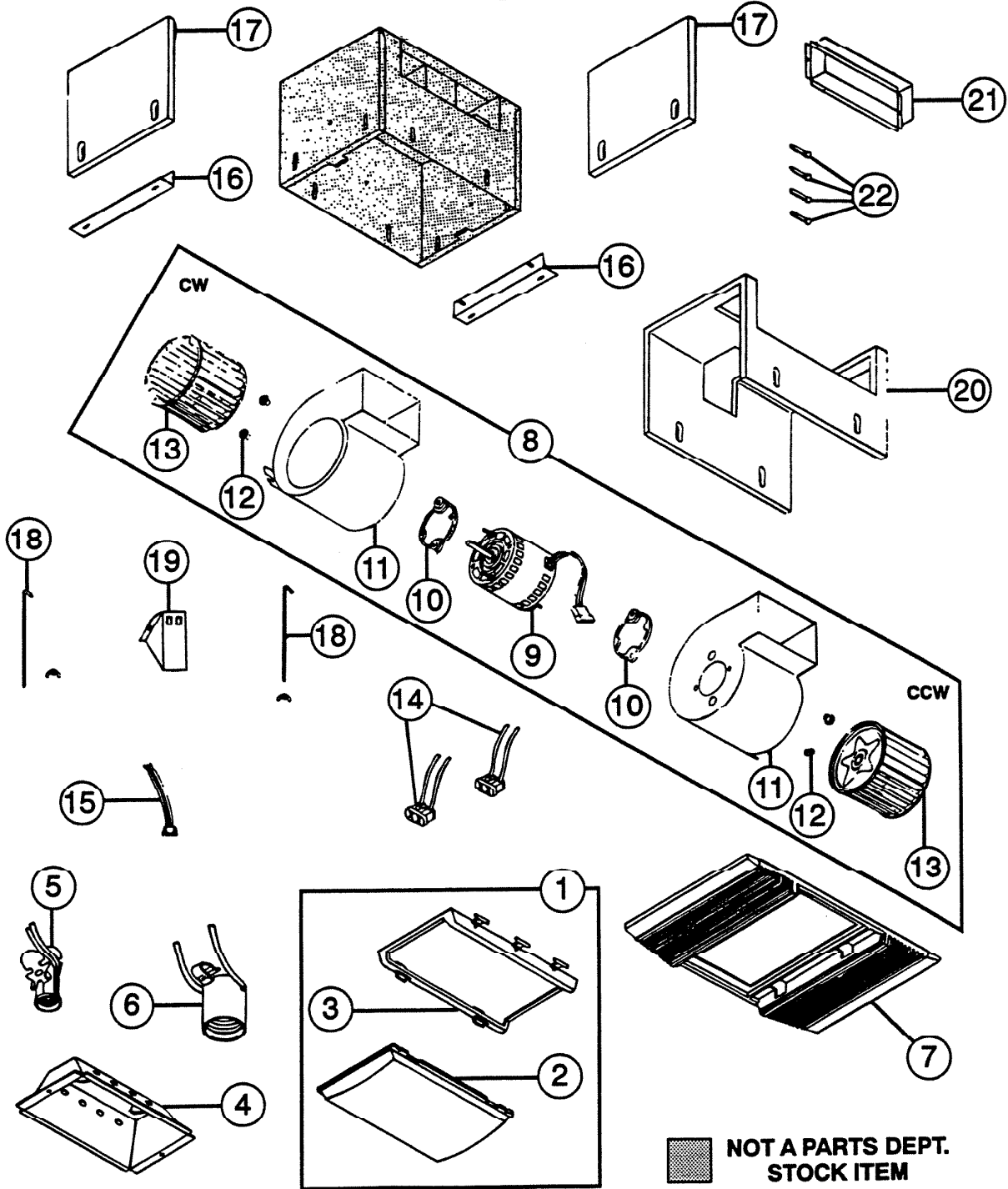


PARTS LIST

EFFECTIVE DATE	MODEL NUMBER	PRODUCT GROUP
OCTOBER 1994	QT-140L REVISED	FAN



 NOT A PARTS DEPT. STOCK ITEM

NuTone

NuTone
 Attn: Parts Department
 Madison & Red Bank Rds.
 Cincinnati, OH 45227-1599
 Phone: (513) 527-5426
 Fax: (513) 527-5173

REF.	ORIGINAL PART NO.	*PART DESCRIPTION	MODEL USED ON	CURRENT REPLACEMENT PART NO.
1	35754	BEZEL ASSEMBLY – Bezel with Lens	QT-140L	35754-000
2	35756	LENS	QT-140L	35756-000
3	35755	BEZEL	QT-140L	35755-000
4	35757	REFLECTOR	QT-140L	35757-000
5	35759	NIGHT LIGHT LAMP SOCKET	QT-140L	35759-000
6	35758	LAMP SOCKET – 100 Watt	QT-140L	35758-000
7	0459A	GRILLE	QT-140L	35752-000
8	35730	BLOWER AND MOTOR ASSEMBLY	QT-140L	35730-000
9	35738	MOTOR – Without Nuts, See Ref. No. 12	QT-140L	35738-000
10	11415	GASKET	QT-140L	11415-000
11	35735	SCROLL HOUSING ASSY – R.H. For CW Blower Wheel – L.H. For CCW Blower Wheel	QT-140L	35735-005
	35731			35731-005
12	32789	GROMMET NUT SET (4) – For Motor	QT-140L	0463A-000
13	35739	BLOWER WHEEL – CW – CCW	QT-140L	35739-000
	35740			35740-000
14	10034	PLUG RECEPTACLE (1) – 2 Required	QT-140L	10034-000
15	58723	PLUG HOUSING ASSEMBLY	QT-140L	58723-000
16	58731	HANGER BRACKET ASSEMBLY (1) – 2 Required	QT-140L	58731-000
17	58596	INSULATION END (1) – 2 Required	QT-140L	58596-000
18	35741	ROD CLAMP ASSEMBLY (1) – 2 Required	QT-140L	35741-000
19	35728	JUNCTION BOX	QT-140L	35728-000
20	35729	INSULATION WRAPAROUND	QT-140L	35729-000
21	19749	DUCT AND LOUVER ASSEMBLY	QT-140L	19749-000
22	58597	INSULATION RETAINER	QT-140L	58597-000
23	58733	HARDWARE BAG (Not Shown) See Note: (2) Grille Screws	QT-140L	58733-000
	95144			95144-000

NOTE: Hardware Bag – P/N 58733-000, Contains (4) mounting screws,
(4) locknuts and (2) screws to mount the louver.

NOTE: Always order by
current part number