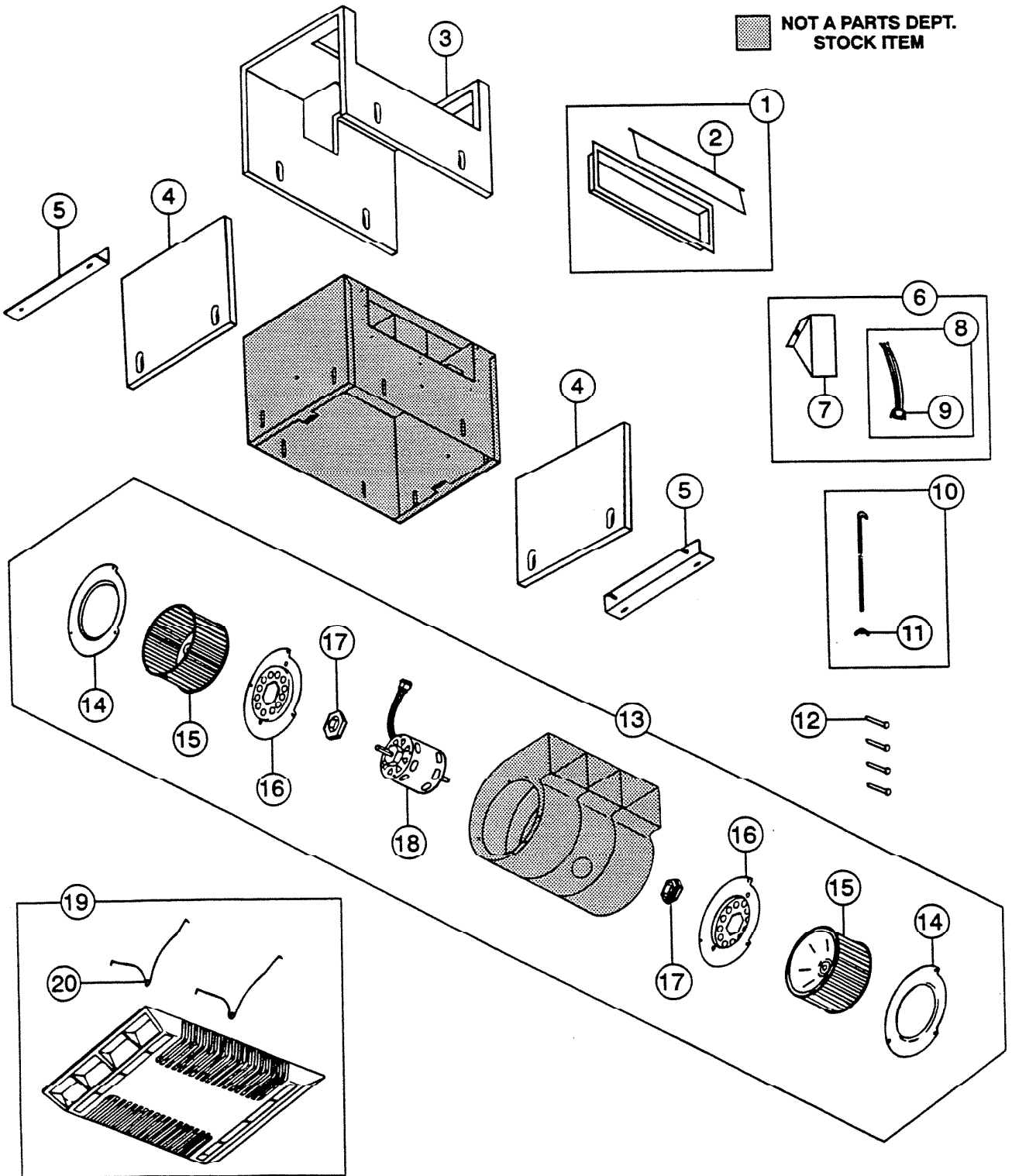


# NuTone PARTS LIST

EFFECTIVE DATE	MODEL NUMBER	PRODUCT GROUP
NOV 1993	QT130 NEW	FAN



REF.	ORIGINAL PART NO.	*PART DESCRIPTION	CURRENT REPLACEMENT PART NO.
1	19749	DUCT AND LOUVER ASSEMBLY	19749-000
2	67150	LOUVER ASSEMBLY	67150-000
-	66477	PLUG BUTTON (not shown) – 2 required	66477-000
-	02923	GROMMET (not shown)	02923-000
3	35729	INSULATION - WRAP AROUND	35729-000
4	58596	INSULATION - END – 2 required	58596-000
5	58731	HANGER BRACKET ASSEMBLY – 2 required	58731-000
6	58739	JUNCTION BOX ASSEMBLY	58739-000
7	58724	JUNCTION BOX	58724-000
8	58723	PLUG HOUSING ASSEMBLY	58723-000
9	27240	PLUG HOUSING - SOCKET	1259A-000
-	66018	TERMINAL RING (not shown)	66018-000
-	L3236	GROUND SCREW (not shown)	L3236-000
-	28031	SCREW - #8-18 x 3/8 PH HEX WASH. "A" (not shown)	28031-015
10	58835	ROD - CLAMP ASSEMBLY – 2 required	58835-000
11	65916	WING NUT - #10-24 – 2 required	65916-000
12	58597	INSULATION RETAINER – 4 required	58597-000
13	44154	BLOWER ASSEMBLY	44154-000
14	58826	VENTURI – 2 required	58826-000
15	58825	BLOWER WHEEL – C.W.	58825-000
	58824	BLOWER WHEEL – C.C.W.	58824-000
16	65905	MOTOR PLATE – 2 required	65905-005
-	51101	BEARING - NYLON (not shown)	51101-000
17	19360	MOTOR MOUNT - HEX – 2 required	19360-000
18	44155	MOTOR	44155-000
19	58732	GRILLE AND SPRING ASSEMBLY	58732-000
20	(1 spring) 54714	TORSION SPRING – set of 2	0447A-000
-	58733	HARDWARE BAG ASSEMBLY (not shown) – see note	58733-000

**NOTE: HARDWARE BAG ASSEMBLY**  
(4) Screws #10 x 7/8 PH PAN HD. "A"  
(4) Locknuts 1/4-20 Flanged Whiz  
(2) Screws #8 x 3/8 PH PAN HD. "B"

**NOTE: Always order by current part number**