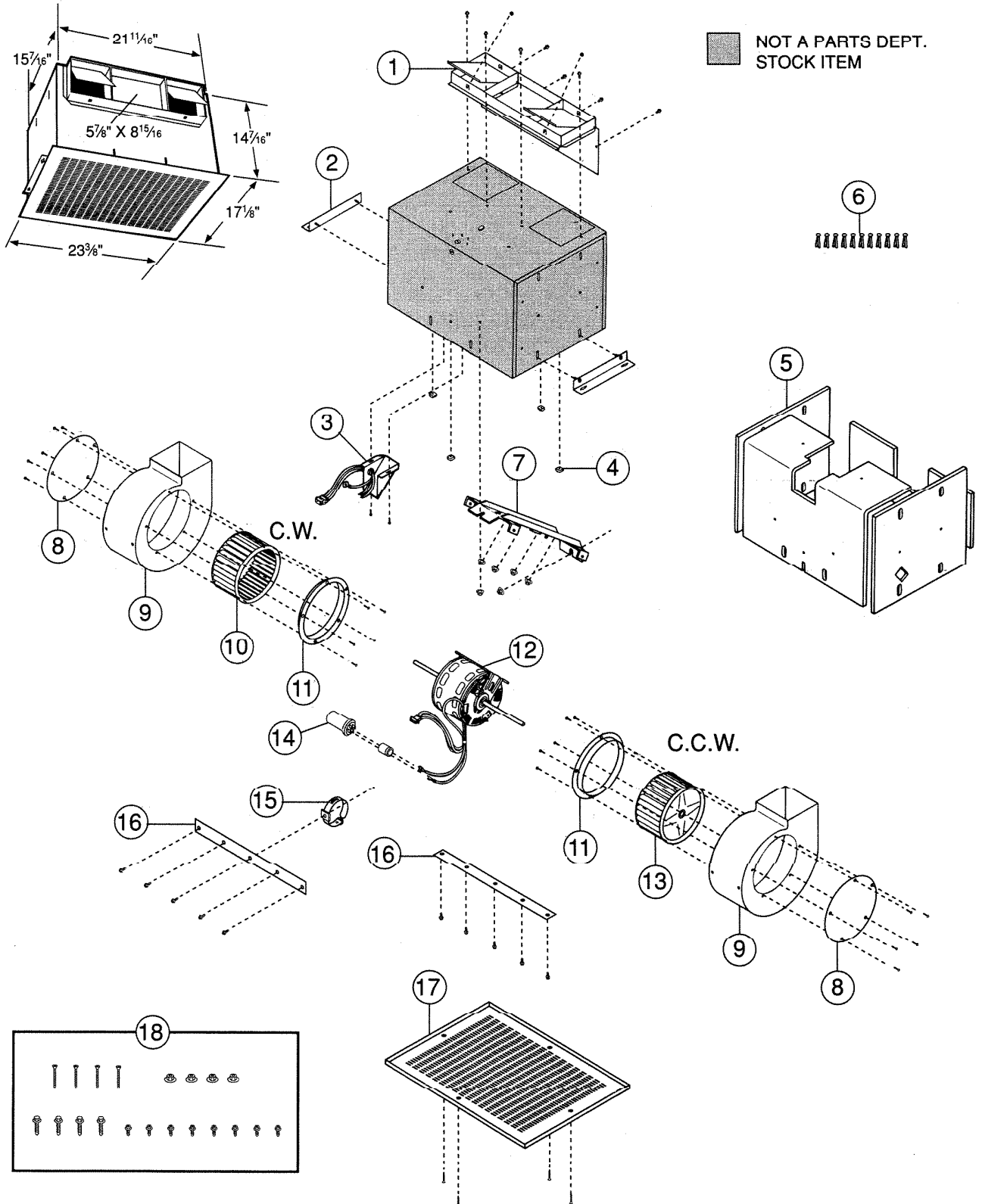


NuTone PARTS LIST

EFFECTIVE DATE	MODEL NUMBER	PRODUCT GROUP
APRIL 1993	QT1000	FAN



REF.	ORIGINAL PART NO.	*PART DESCRIPTION	CURRENT REPLACEMENT PART NO.,
1	36460	DUCT and LOUVER ASSEMBLY	36460-000
2	58731	HANGER BRACKET ASSEMBLY (1) – 2 required	58731-000
3	58739	JUNCTION BOX ASSEMBLY w/plug & wires	58739-000
4	35726	SPEED NUT	18218-000
5	2892A	INSULATION SET	2892A-000
6	58597	RETAINER – Insulation (1) – 11 required	58597-000
7	36443	MOTOR MOUNTING PLATE ASSEMBLY	36443-000
8	36451	COVER PLATE	36451-000
9	36440	BLOWER HOUSING – left or right	36440-000
10	36450	BLOWER WHEEL – C.W.	36450-000
11	36441	INLET FLANGE (1) – 2 required	36441-000
12	36442	MOTOR	36442-000
13	36449	BLOWER WHEEL – C.C.W.	36449-000
14	37995	CAPACITOR W/BOOT – 5 mf. 370V	2893A-000
15	37996	MOUNTING STRAP – Capacitor	37996-000
16	36448	SUPPORT STRAP (1) – 2 required	36448-000
17	36455	GRILLE	36455-206
18	36459	HARDWARE BAG ASSEMBLY – see note	36459-00

NOTE: HARDWARE BAG ASSEMBLY
(4) Screws #14 x 1" Hex. Wash. HD. "A"
(4) Locknuts ¼-20 Flanged Whiz
(4) Screws (Grille) #8 x 1½" Ph. Oval HD. "A"
(8) Screws #8-18 x ¾" Ph. Hex. Wash. HD.
w/nibs "A"

**NOTE: Always order by
current part number**

