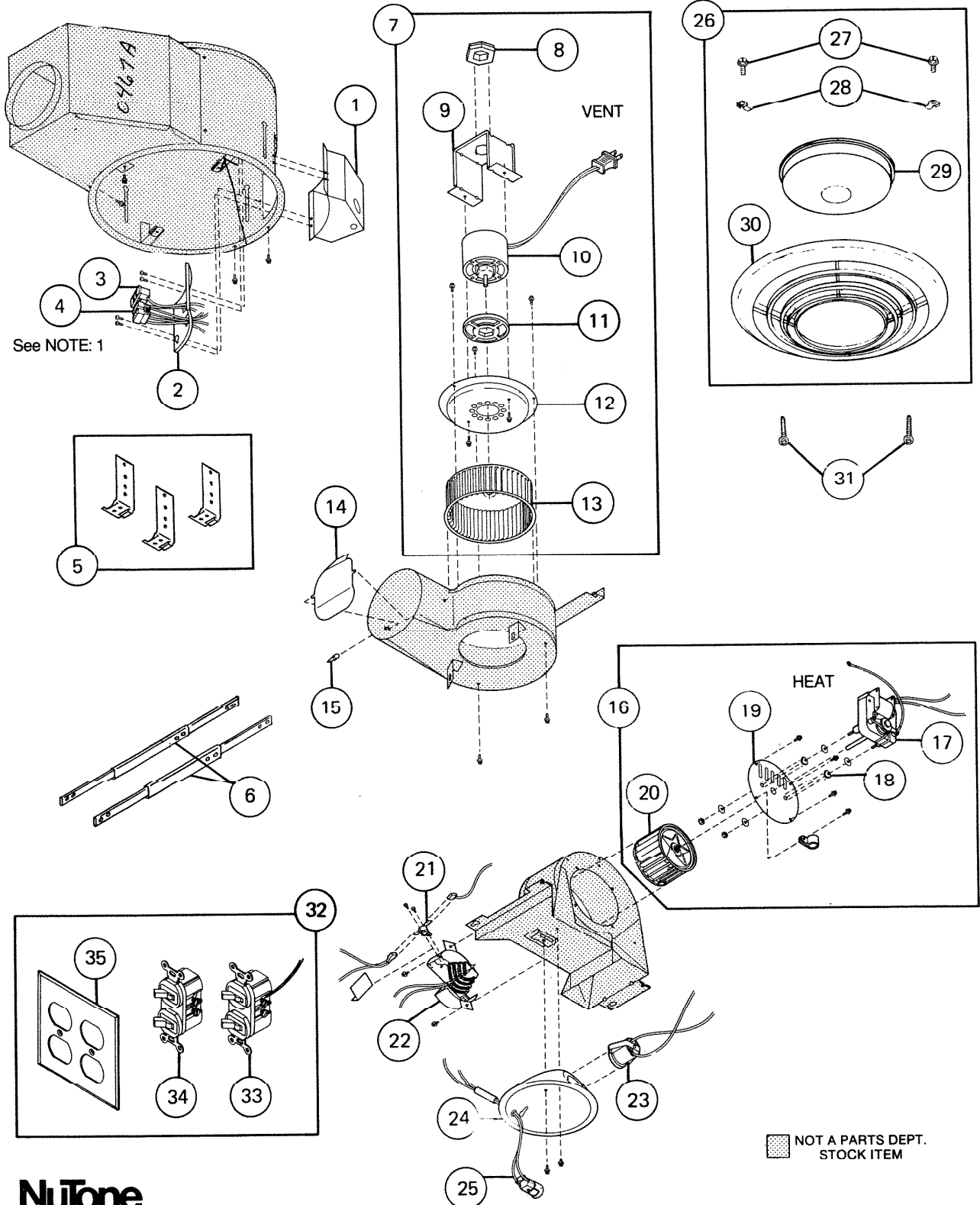


PARTS LIST

EFFECTIVE DATE	MODEL	PRODUCT GROUP
JAN. 1991	QT-9093 AB, BR, CH, WH NEW	HEATER



REF. NO.	ORIGINAL PART NO.	*PART DESCRIPTION	CURRENT REPLACEMENT PART NO.
1	35623	OUTLET BOX AND GROUND SCREW ASSEMBLY	35623-000
2	35963	OUTLET BOX COVER	35963-000
3	66204	RECEPTACLE	66204-000
4	30241	RECEPTACLE/SOCKET/WIRE ASSEMBLY - See Note	0480A-000
5	53193	CFILING MOUNTING BRACKET ASSY - Set of 4 - W/Screws	53194-000
6	13306	HANGER BAR SET	13306-000
7	65070	POWER UNIT ASSEMBLY - VENT	1306A-000
8	19359	MOTOR MOUNT - HEX	19359-000
9	27252	MOTOR SUPPORT	27252-000
10	65073	MOTOR - VENT - 1320RPM - 5/16" Shaft	30434-000
	30434		
11	19360	MOTOR MOUNT - HEX	19360-000
12	65071	MOTOR MOUNT BRACKET	65071-005
13	51919	BLOWER WHEEL - W/PUSH NUT - 6-3/16" x 2" Hole 5/16"	5900A-000
14	65060	DAMPER - Louver	65060-000
15	27538	BUMPER	27538-000
16	1193A	POWER UNIT ASSEMBLY - HEAT	1193A-000
17	35970	MOTOR - HEAT - 2550RPM 13/64" Shaft	35970-000
18	09289	GROMMET KIT - (2) Grommets - (2) Eyelets (4) Washers	69289-000
19	57766	MOTOR MOUNT PLATE ASSEMBLY	57766-000
20	66583	BLOWER WHEEL - W/Set Screw - 3-3/4" x 2" Hole 13/64"	66583-000
21	27548	THERMAL PROTECTOR	27548-000
22	30243	HEAT ELEMENT - WO/Thermal Protector	30243-000
23	30260	LIGHT SOCKET ASSEMBLY	30260-000
24	35964	REFLECTOR	35964-206
25	35965	LAMP SOCKET ASSEMBLY - Night Light	35965-000
26	33734	GRILLE ASSEMBLY	ANT. BRASS QT-9093AB 33734-000
	33735		BRASS QT-9093BR 33735-000
	56704		CHROME QT-9093CH 56704-000
	36271		WHITE QT-9093WH 36271-000
27	27603	SCREW - (1) - For Lens Mounting Brackets	27603-015
28	56706	MOUNTING BRACKETS - Lens	56706-000
29	27561	LENS	27561-000
30	56705	GRILLE - W/Lens Mtg. Brackets	ANT. BRASS QT-9093AB 0473A-000
			BRASS QT-9093BR 0472A-000
			CHROME QT-9093CH 0474A-000
			WHITE QT-9093WH 0469A-000
31	52858	SCREW (1) - Grille	52858-015
32	30193	SWITCH ASSEMBLY -Complete	30193-000
33	K3149	SWITCH - DOUBLE TOGGLE - W/Ground - 15 Amp.	K3149-000
34	K3148	SWITCH - DOUBLE TOGGLE - 15 Amp.	K3148-000
35	K3147	WALL PLATE	K3147-000

NOTE 1: Ref. No. 4, RECEPTACLE/SOCKET/WIRE ASSEMBLY P/N 0480A-000 Replaces RECEPTACLE P/N 30241-000 and PLUG HOUSING P/N 30256-000

NOTE: Always order by current part number.

