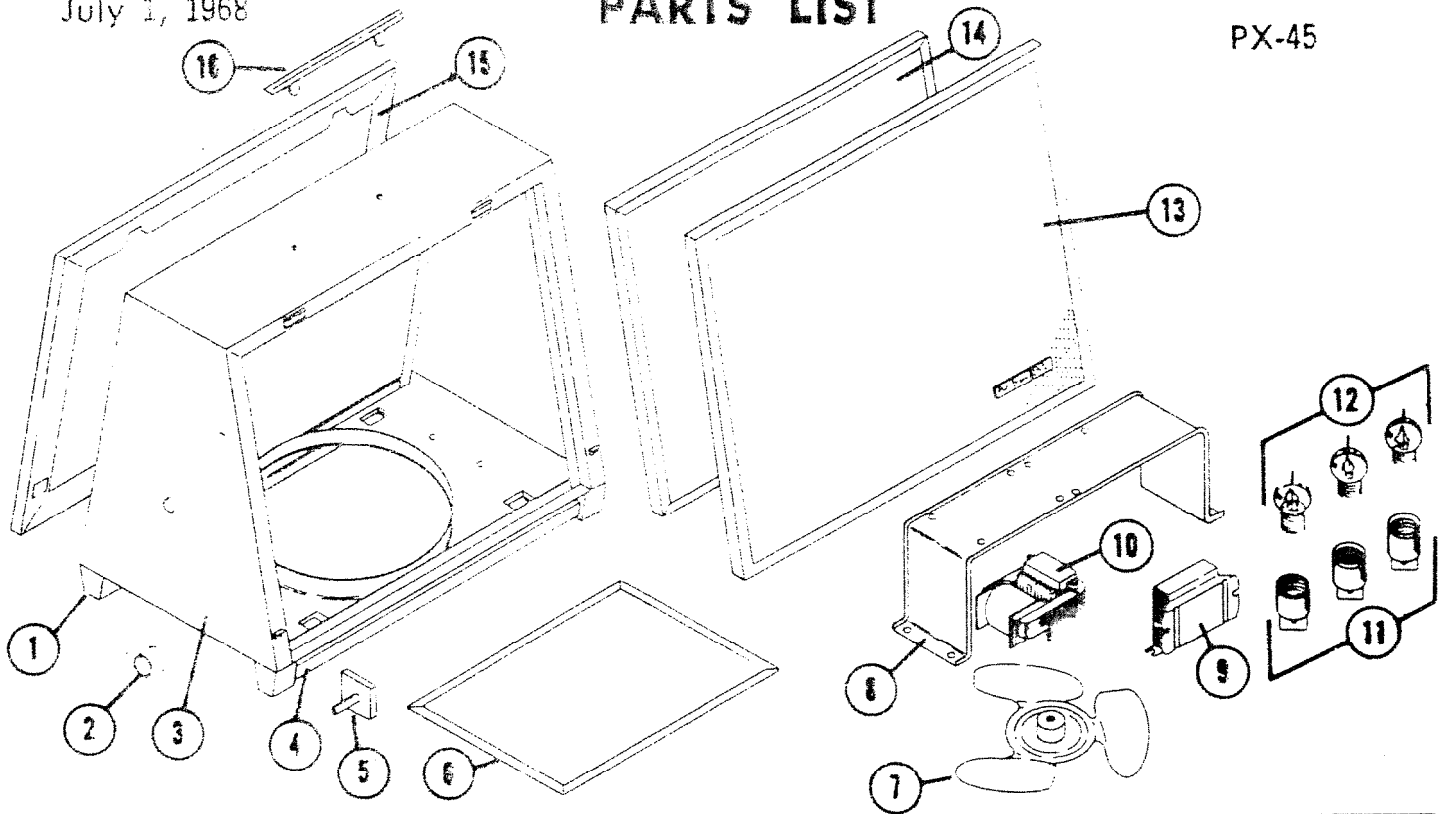


EFFECTIVE DATE  
July 1, 1968

# Puritron PARTS LIST

MODEL  
PX-45



REF.	PART NO.	PART DESCRIPTION
1	24518	Foot
2	24516	Knob
3	24500	Housing Assembly
4	24519	Trim Rail
5	17482	Switch
6	24528	Dust Filter (particle)
7	24511	Fan Blade
8	24509	Motor Bracket
9	24512	Ballast
10	24510	Motor
11	24513	Lamp Socket Assembly (3 required)
12	24523	Ion Bulb Assembly (3 required)
13	24532	Grille Assembly/Nameplate
14	24549	Charcoal Filter
15	24530	Grille Assembly
16	24506	Handle w/Screws
	24517	Cord Set (Not Shown)
	31510	Strain Relief (Not Shown)

Order Parts From: **PARTS DEPT. C/O**  
**PURITRON PRODUCTS - SCOVILL MANUFACTURING COMPANY**  
**5410 HETZEL AVENUE / CINCINNATI, OHIO 45227**