

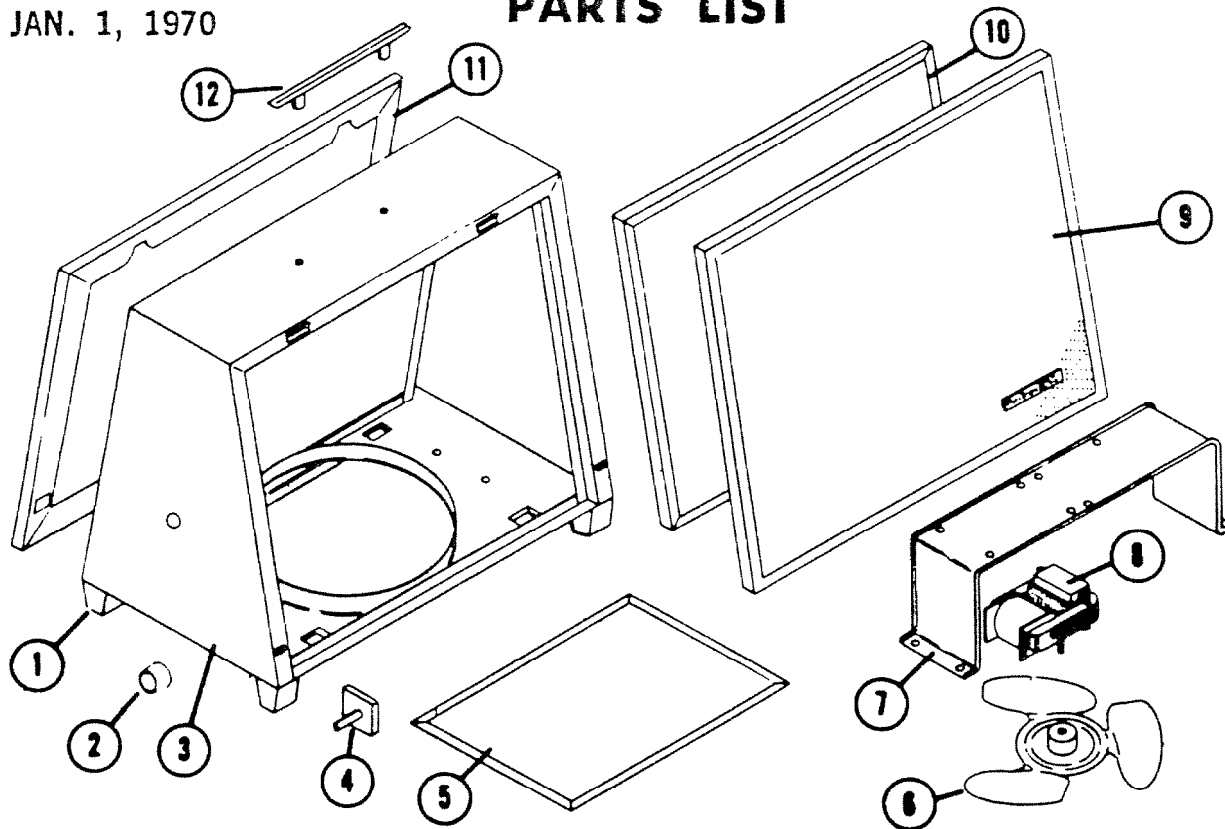
EFFECTIVE DATE

JAN. 1, 1970

PURITRON PARTS LIST

MODEL

PX-35



REF.	PART NO.	PART DESCRIPTION
1	24518	Foot
2	24515	Knob
3	24500	Housing Assembly
4	17482	Switch
5	23815	Dust Filter (Particle)
6	24511	Fan Blade
7	24509	Motor Bracket
8	24510	Motor
9	23970	Grille Assembly w/Nameplate
10	23812	Charcoal Filter
11	23969	Grille Assembly
12	24506	Handle w/Screws
	14990	Strain Relief (Not Shown)
	24499	Cord Set (Not Shown)

Order Parts From: **PARTS DEPT. C/O**
PURITRON PRODUCTS - SCOVILL MANUFACTURING COMPANY
5410 HETZEL AVENUE / CINCINNATI, OHIO 45227