

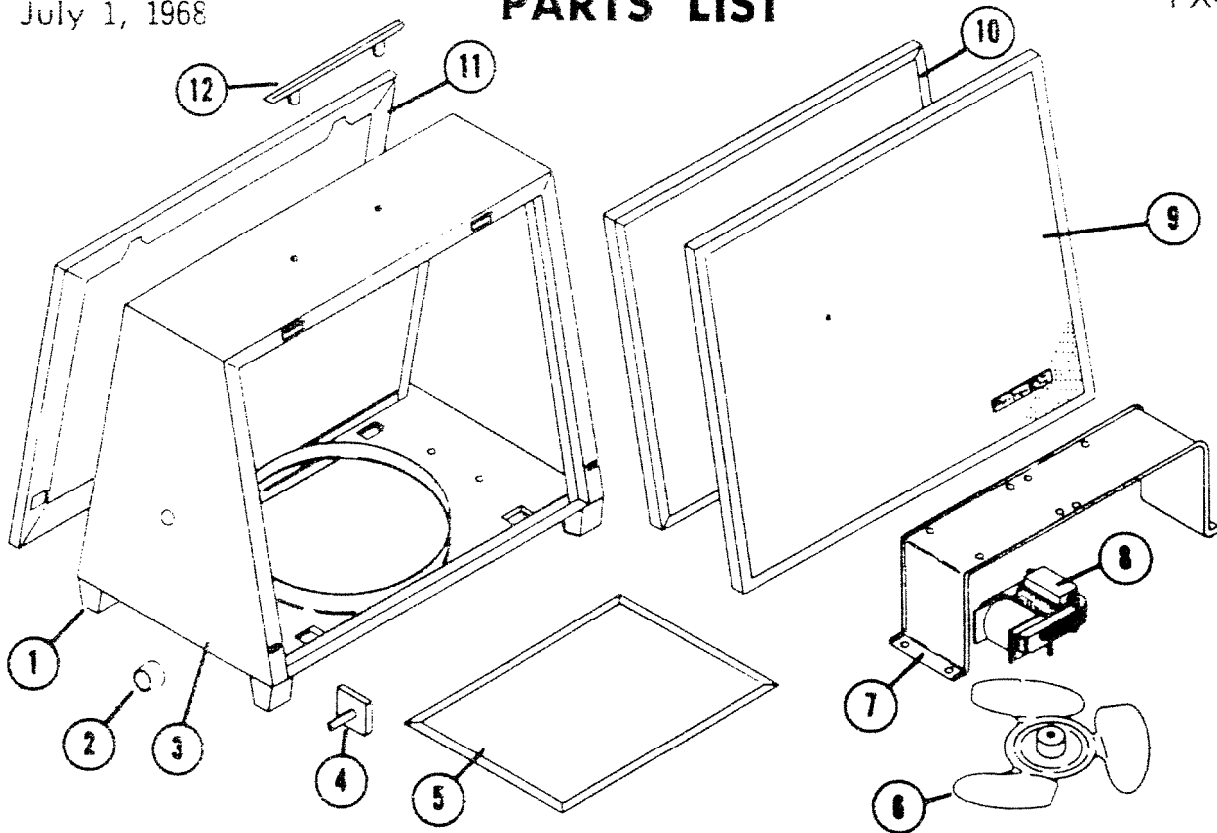
EFFECTIVE DATE

July 1, 1968

Puritron PARTS LIST

MODEL

PX-30



REF.	PART NO.	PART DESCRIPTION
1	24518	Foot
2	24515	Knob
3	24500	Housing Assembly
4	17482	Switch
5	24528	Dust Filter (Particle)
6	24511	Fan Blade
7	24509	Motor Bracket
8	24510	Motor
9	24531	Grille Assembly w/Nameplate
10	24549	Charcoal Filter
11	24529	Grille Assembly
12	24506	Handle w/Screws
	31510	Strain Relief (Not Shown)
	24517	Cord Set (Not Shown)

Order Parts From: PARTS DEPT. C/O

PURITRON PRODUCTS - SCOVILL MANUFACTURING COMPANY

5410 HETZEL AVENUE / CINCINNATI, OHIO 45227