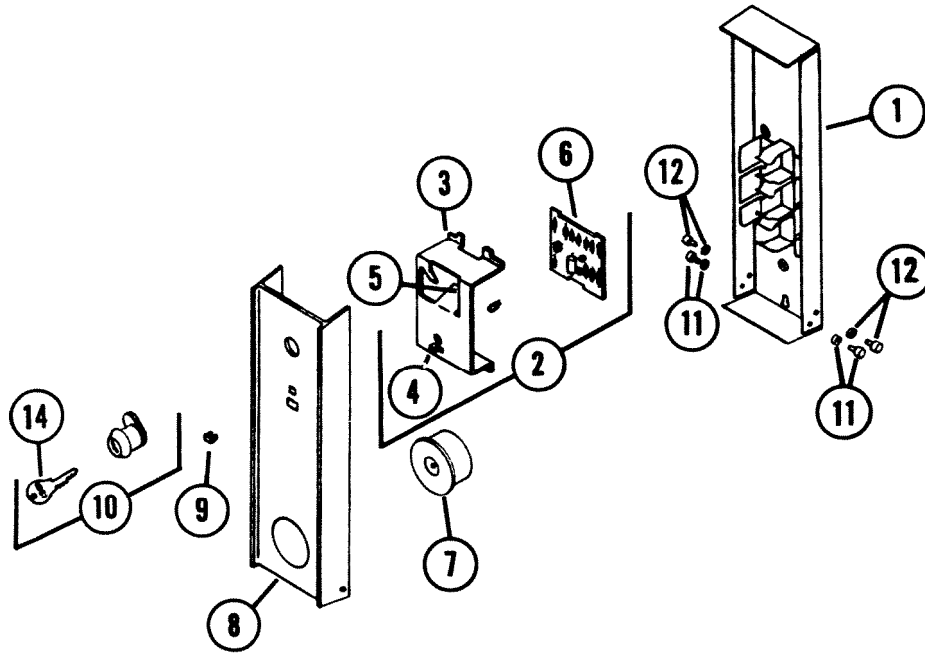


EFFECTIVE DATE  
May 1, 1970

# Puritron PARTS LIST

MODEL  
PURITRON  
PSA-70



REF.	PART NO.	*Part used on other model/s	PART DESCRIPTION
1	40953	*	Base Assembly
2	40960		Control Bracket and P.C. Board Assembly
3	40961	—	Control Bracket Assembly - includes switches (3)
4	34551	*	Switch Test (White)
5	34586	*	Switch On/Off
6	40962		P. C. Board Assembly
7	36062	*	Horn/Buzzer
7	36063	*	Horn/Buzzer (alternate)
8	40963		Cover Assembly
9	38101	*	Lens
10	39034	*	Lock w/2 Keys
11	39056	*	Hinge Pin

(PLEASE SEE OTHER SIDE)

**Order Parts From: PARTS DEPT. C/O**  
**PURITRON PRODUCTS - SCOVILL MANUFACTURING COMPANY**  
 540 HETTEL AVENUE / CINCINNATI, OHIO 45227

REF.	PART NO.	PART DESCRIPTION
12	39030	* Hinge Pin
13	39044	* Push Nut
14	69871	* EXTRA KEY - Specify <u>Your Key No.</u> Sample 1301 ect.
<u>ELECTRONIC PARTS</u>		
	37552	P. C. Board only
	36506	* Rectifier - Power
	36580	* Transistor (2 required) TR-1 and TR-2
	39032	* Lamp Bulb.
ALL OTHER ELECTRONIC PARTS ARE COMMON ITEMS ON THE OPEN MARKET.		

**Order Parts From: PARTS DEPT. C/O**  
**PURITRON PRODUCTS - SCOVILL MANUFACTURING COMPANY**  
**5410 HETZEL AVENUE | CINCINNATI, OHIO 45227**